

Welcome to
Waterway's 2019
Pool & Spa Product
Buyer's Guide





2019 Pool & Spa Product Buyer's Guide / Information

For information or assistance, contact:

Waterway Plastics Customer Service Department: 805.981.0262

Waterway Plastics, 2200 East Sturgis Road, Oxnard, California 93030

Telephone: 805.981.0262 • Fax: 805.981.9403 • Toll Free Fax: 888.772.5387

www.waterwayplastics.com • waterway@waterwayplastics.com

Pricing:

Effective **December 2, 2018**. All prices subject to change without notice.

Product Disclaimer:

All illustrations, photographs and specifications in this publication are based on product information available at the time of printing. Waterway reserves the right to make changes at any time, without giving prior notice, to colors, materials, specifications, part numbers and prices and to discontinue product or product components. All items are not available in all colors or materials.

Ordering:

To ensure prompt and proper shipment, please order by product part number and description. Be sure to include the correct (last digit) number for the color desired. Specially quoted product numbers must not be changed (even by one digit), or the pricing will not be recognized. Products and prices are subject to change without notice.

All orders must be a minimum of \$50.00.

All items are subject to availability and may require additional set up fees and minimum quantities.

Terms:

All sales are cash with order until credit is established, after which, terms are net 30 days.

Shipments:

All shipments are F.O.B. Oxnard, California.

Claims:

All claims must be made within 30 days after receipt of merchandise.

Returns:

All returns are subject to the Waterway Limited Warranty Policy and written approval, and must be accompanied by an "RGA" (Return Goods Authorization) form or number issued by Waterway prior to returning the merchandise. Unauthorized returns will not be accepted. Freight must be prepaid. Waterway will not accept returned merchandise after 90 days of shipment and/or not in original resalable condition. In some cases a restocking fee will apply.

Information Regarding Lost or Damaged Merchandise:

Our responsibility for any shipment ceases when the carrier signs the Bill of Lading. All shipments should be inspected immediately upon arrival. If cartons, packages or crates are received in short or damaged condition, it is important that the driver be notified and the recipient should insist on a notation of the loss or damage across the face of the freight bill.

If there is no indication of damage on the freight bill, no claim can be enforced against the carrier.

If concealed loss or damaged merchandise is discovered, notify the carrier immediately and request an inspection, and retain the shipping carton/container. A concealed damage report must be made within 7 calendar days of delivery of the shipment, or the carrier will not entertain any claim for the loss. The carrier agent will perform an inspection and will normally grant a concealed damage notation. IF THE CARRIER RECEIVES A CLEAR RECEIPT FOR THE MERCHANDISE THAT HAS BEEN DAMAGED IN TRANSIT, IT IS AT THE RECIPIENT'S OWN RISK AND EXPENSE.

Waterway is willing to assist in collecting claims for loss or damage, but our willingness does not make us responsible for collection of claims or for the replacement of merchandise.

For additional information or assistance in this regard, please contact:

Waterway Plastics

Customer Service

805.981.0262



Waterway Limited Warranty

All warranties for end users must be processed through your retail point of purchase.

All products of Waterway carry warranties. The nature and length of the warranty will depend upon the product and are set forth below:

To the buyer, as the original purchaser, Waterway warrants its products free from defects in materials and workmanship for a period of one year from the date of purchase, if installed by a qualified installer. Parts which fail or become defective during the warranty period, except as a result of freezing, negligence, improper installation of equipment or automatic valving systems, use or care, shall be repaired or replaced, at our option, within 90 days of the receipt of the defective product, barring unforeseen delays.

In-Ground Swimming Pool Variable Speed Pumps carry a 3 year warranty from sale date, with proof of purchase, otherwise the 3 year period shall commence from date of motor manufacture.

Proof of purchase is required for warranty coverage. Warranty registration card must be submitted for applicable products. In the event proof of purchase is not available, the manufacturing date of the product will be the sole determination of purchase date.

To obtain warranty, replacements or repair, defective components or parts should be returned, transportation paid, to the place of purchase. In the event the place of purchase is not applicable Waterway Plastic should be contacted for necessary return instructions. No returns may be made directly to the factory without the express written authorization of Waterway Plastics.

Waterway Plastics shall not be responsible for cartage, removal and/or reinstallation labor or any other such costs incurred in obtaining warranty replacements.

Disclaimer

Waterway is not liable for incidental or consequential damages, loss of profit, loss of time, inconvenience and incidental expenses. This warranty is limited and shall be in lieu of any other warranties, expressed or implied, including but not limited to, any implied warranty or merchantability or fitness for a particular purpose. There are no other warranties that extend beyond the description of the face hereof. The liability of Waterway arising out of its supply of said products, or their use, shall not in any case exceed the cost of correcting defects in the products as above set forth.

Although Waterway Plastics provides all information, recommendation, or advice regarding its products in good faith, each user bears full responsibility for making its own determination as to suitability of Waterway's products, recommendations, or advice for its own particular use. Each user must identify and perform all tests and analysis necessary to assure that its finished products incorporating Waterway's parts or products will be safe and suitable for use under end-use conditions. This includes but not limited to verification of exposure to ambient operating conditions, adhesives, foams and any other type chemicals during the assembly or the end use conditions. Due to environmental conditions out of our control, we are unable to warranty discolorations or corrosion on stainless steel parts.

This warranty does not apply if the failure is caused or contributed to by any of the following: improper handling, improper storage, improper installation abuse, unsuitable application of the product, lack of reasonable and necessary maintenance, improper packaging for return, or repairs made or attempted by any other company, which in the judgment of Waterway adversely affects the product's performance and reliability. Waterway reserves the right to change its warranty at any time.

Some states do not allow the exclusion or limitation of incidental or consequential damages, so the above limitation or exclusion may not apply to you.



2019 Pool & Spa Buyer's Guide / **Color Guide**

Color Reference				
Last Digit of Part No.	Color/Metal Finish	Available only for:	Pool	Spa
0	White		✓	✓
1	Black		✓	✓
3	Blue (Lights only)			✓
4	Red (Lights only)			✓
5	Red and Blue (Lights only)			✓
7	Gray		✓	✓
8	Clear			✓
9	Call for other colors, metal finishes & special orders			
9-BEI	Beige (Tan)		✓	
9-DKG	Dark Gray		✓	
9-DSG	Dark Silver Glitter / DSG			✓
9-ST5	Sterling Silver			✓



Hose / Tubing.....	8
Pool Pumps	9
Filters / Filter Systems	26
CSA Pumps / Filter Systems	48
Wet Ends / Bases	54
Air Systems.....	56
Pool Control System	57
Unions	58
Chlorinators / Accessories	65
Ells / Tees / Wyes	66
Fittings	70
Gunite Jets	77
Valves	86
Drains / Suctions.....	88
Skimmers / Skim Filters	103
Misc / Accessories	113
Hose / Tubing.....	119
Spa Jets.....	120
Air Injectors / Blowers	158
Drains / Suctions.....	160
Air Controls	167
Top Side Valves	169
Water Features	179
Lighting	187
Spa Control Systems / Speakers.....	192
Skimmers / Filters	198
Spa Pumps	211
Wet Ends / Bases	226
Slice / Gate Valves	229
Unions	231
Ells / Tees / Wyes	238
Manifolds.....	244
Misc / Accessories	254
Technical Info	260
Replacement Parts	269
Index	349



Pool



Designed and
Manufactured for
In-Ground Pool
& Spa Use.



AVAILABLE IN:

- Clear Vinyl: 1/8", 1/4", 3/8", 3/4", and 3/4" x 1 1/16"
- White Vinyl: 3/8", 3/4", and 1" x 1 1/4"
- Shur-Grip: 3/4", 3/4" thin, 1 1/2", and 2"
- Flex: 1/2", 3/4", 1", 1 1/4", 1 1/2", 2", 2" thin, 2 1/2", and 3"

Call for pricing.

Pool hose is higher durometer for durable In-Ground application.

Hose and Tubing - Individual Rolls (wrapped)

Part No.	Description	Color	Ft. / Roll
110-0120	Vinyl - 3/8" x 9/16"	Clear (0), White (W)	500
110-0140	Vinyl - 3/4" x 1"	Clear (0), White (W)	150
110-0150	Vinyl - 3/4" x 1 1/16"	Clear	100
110-016W	Vinyl - 1" x 1 1/4"	White	100
120-0110	Flex - 1/2"	White (0), Black (1)	100
120-0120	Flex - 3/4"	White (0), Black (1)	100
120-0130	Flex - 1"	White (0), Black (1)	50
120-0180	Flex - 1 1/4"	White (0), Black (1)	50
120-0140	Flex - 1 1/2"	White (0), Black (1)	50
125-0110	Flex - 1 1/2" x 100 ft.	White (0), Black (1)	100
120-0150	Flex - 2"	White (0), Black (1)	50
125-0120	Flex - 2" x 100 ft.	White (0), Black (1)	100
120-0250	Flex - 2" thin	White (0), Black (1)	50
120-0160	Flex - 2 1/2"	White (0), Black (1), Gray (7)	50
120-0170	Flex - 3"	White (0), Black (1), Gray (7)	50

Call for pricing.

Hose and Tubing - Pallets (wrapped)

Part No.	Description	Color	Ft. / Pallet	Rolls / Pallet
110-0120P	Vinyl - 3/8" x 9/16"	Clear (0), White (W)	20,000	40
110-0140P	Vinyl - 3/4" x 1"	Clear (0), White (W)	6,000	40
110-0150P	Vinyl - 3/4" x 1 1/16"	Clear	4,000	40
110-016WP	Vinyl - 1" x 1 1/4"	White	2,800	28
120-0110P	Flex - 1/2"	White (0), Black (1)	6,800	68
120-0120P	Flex - 3/4"	White (0), Black (1)	5,600	56
120-0130P	Flex - 1"	White (0), Black (1)	2,800	56
120-0180P	Flex - 1 1/4"	White (0), Black (1)	1,200	24
120-0140P	Flex - 1 1/2"	White (0), Black (1)	1,200	24
125-0110P	Flex - 1 1/2" x 100 ft.	White (0), Black (1)	1,200	12
120-0150P	Flex - 2"	White (0), Black (1)	900	18
125-0120P	Flex - 2" x 100 ft.	White (0), Black (1)	900	9
120-0250P	Flex - 2" thin	White (0), Black (1)	900	18
120-0160P	Flex - 2 1/2"	White (0), Black (1), Gray (7)	800	16
120-0170P	Flex - 3"	White (0), Black (1), Gray (7)	400	8



POWER Defender
125
VARIABLE SPEED PUMP

NEW!

*Dual Voltage 115V / 230V.
Full 1.25HP at Both Voltages!*



For unions, see page 58.

FEATURES:

- High Performance & Ultra Quiet Variable Speed Pool & Spa Pump provides you with up to 90% energy savings.
- Innovative, Patent Pending technology automatically actuates a Diverter Valve to direct the flow of water to the Pressure Pool Cleaner and increase the pump speed and pressure.
- Built in Pool Control – to automatically schedule your pool operation, run the pumps in designated speed, and actuate Diverter Valves to run in Pool Filtration, Spill Over and Spa mode.
- The latest technology Variable Speed Motors, totally enclosed construction with a powerful external fan – protects the motor against dirt and moisture and provides for extremely cool operation of the motor.
- User friendly key pad and programming.
- Two Swivel Unions and Adjustable Base Kit included with pump.



Adjustable Base included. Ideal when replacing or plumbing Sta-Rite, Hayward or Pentair pumps in the field.

675-1380 See Page 55.

Pool Pumps

Smart **energy solutions** for the Pool & Spa industry.

Power Defender 125 - Variable Speed Pump				
Part No.	Description	Volts	HP	List (US \$)
PD-VPA125	Power Defender 1.25 HP Variable Speed Pump 3 in 1 Combo (Pool Control)	115/230	1.25	--
PD-VSA125	Power Defender 1.25 HP Variable Speed Pump	115/230	1.25	--
PD-VAG125	Power Defender 1.25 HP Variable Speed Pump (Above Ground)	115/230	1.25	--

Contact your Sales Representative for pricing.



Pool Pumps - In-Ground / Power Defender 165 Variable Speed

POWER Defender 165 VARIABLE SPEED PUMP

Model #: PD-VSC165



*Comes complete with 2 Swivel Union Assemblies & Adjustable Base Kit
Great for precise alignment and plumbing versatility!*

FEATURES:

- Maximum 1.65HP
- Timer Mode
- Full Variable Speed (600-3450 RPM)
- Freeze Protection
- Program Memory Back-up
- Keypad Lockout Feature
- 2" Swivel Unions (included)
- Adjustable Base (included)



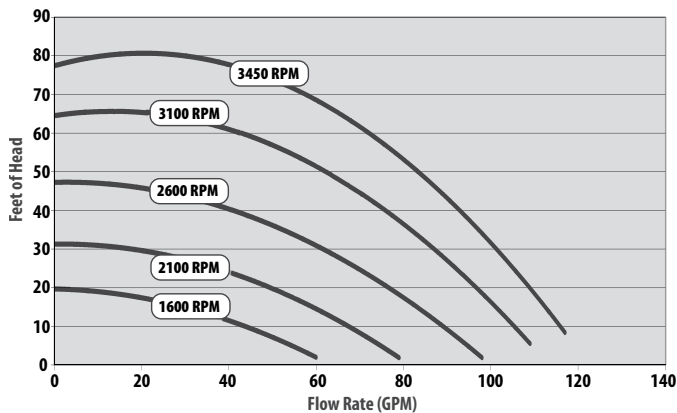
For replacement parts, see page 278.
For unions, see page 58.



Built-in Programmable User Interface with Timer

- Easy replacement for most brand pumps
- Works great with Waterway Oasis Pool & Spa Control as well as competitive control systems
- Silicone carbide seals

Power Defender 1.65 HP – Performance Curves

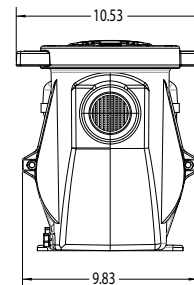
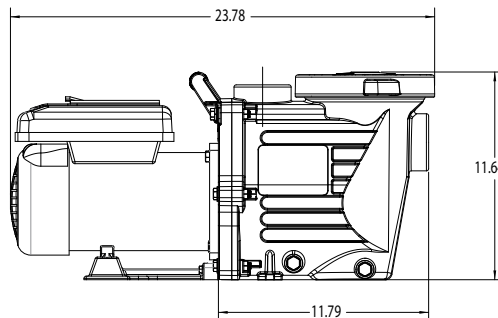


Adjustable Base included. Ideal when replacing or plumbing Sta-Rite, Hayward or Pentair pumps in the field.

675-1380 See Page 55.



Smart **energy solutions** for the Pool & Spa industry.



Power Defender 165 - Variable Speed Pump

Part No.	Description	Volts	HP	List (US \$)
PD-VSC165	Power Defender 1.65 HP Variable Speed Pump	230	1.65 HP	1,944.79
PD-VSC1165	Power Defender 1.65 HP Variable Speed Pump	110	1.65 HP	1,944.79



POWER Defender 270
VARIABLE SPEED PUMP

Model #: PD-VSC270



*Comes complete with 2 Swivel Union Assemblies & Adjustable Base Kit
 Great for precise alignment and plumbing versatility!*

FEATURES:

- Pump is pressure testable up to 50 PSI
- User-Friendly programming
- Optional off-board mounting of controls.
- Ability to install and program additional load (booster pump, chlorine generator)
- Display is easy to view in any light
- 2" Swivel Unions (included)
- Compliant with all energy legislation. Meets Title 20 & Title 24 regulations
- Super quiet operation
- Built-in freeze protection
- Silicone carbide seals



Built-in Programmable User Interface with Timer

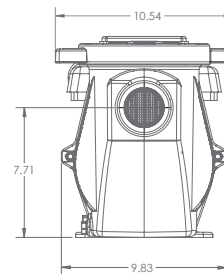
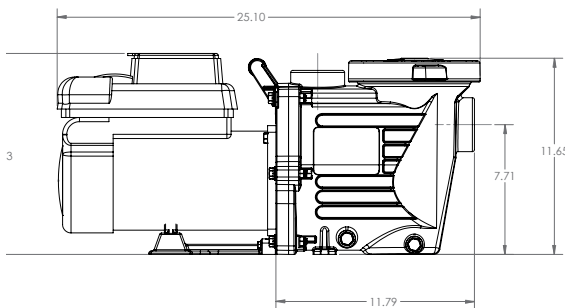
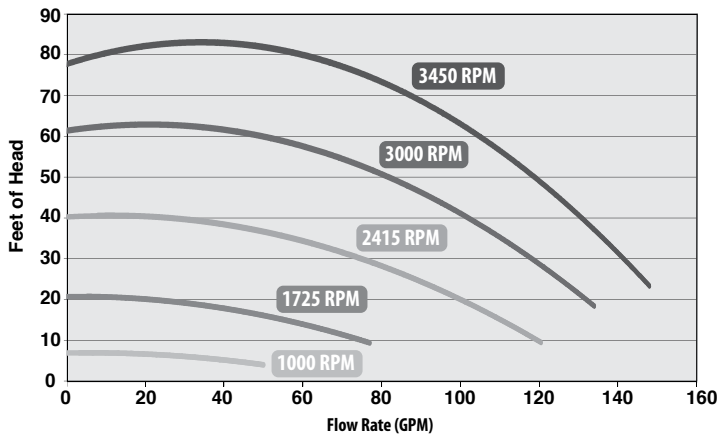
For replacement parts, see page 280.
 For unions, see page 58.



Adjustable Base included. Ideal when replacing or plumbing Sta-Rite, Hayward or Pentair pumps in the field.

675-1380 See Page 55.

Power Defender 2.7 HP Pump - Performance Curves



Smart **energy solutions** for the Pool & Spa industry.

Power Defender 270 - Variable Speed Pump

Part No.	Description	Volts	HP	Weight (lbs.)	List (US \$)
PD-VSC270	Power Defender 2.7 HP Variable Speed Pump	230	2.7 Total HP	60	2,781.46

Pool Pumps



Pool Pumps - In-Ground / Power Defender 300 Variable Speed

POWER Defender 300 VARIABLE SPEED PUMP

Model #: PD-VSC300



Introducing the latest generation of 3 HP In-ground Pool Pumps

FEATURES:

- Built-in and programmable variable frequency drive that can be rotated 180° for easy servicing
- Direct drop-in for other manufacturer's single, 2-speed or variable speed pumps
- Proven performance wet end with large trap basket and easy access two-piece lid
- Simple programming with up to 4 scheduled filter setting
- Works with Waterway Oasis Pool & Spa Control
- Silicone carbide seals, Viton bellows, 316SS casing for superior protection from bromine, chlorine, hydrogen peroxide and salt
- 2" Swivel Unions (included)



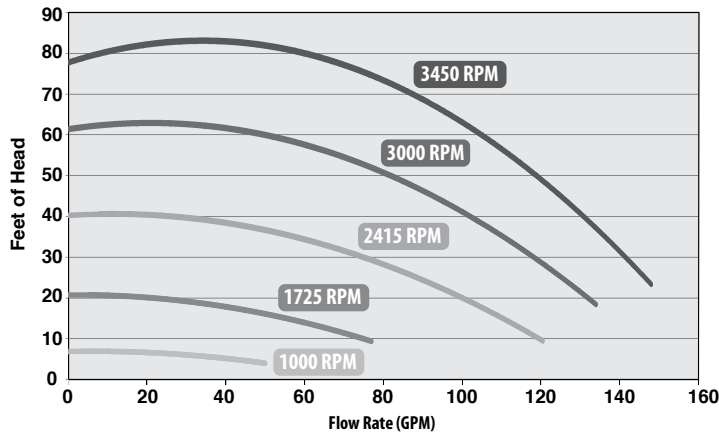
For replacement parts, see page 282.
For unions, see page 58.



Built-in Programmable User Interface with Timer

Pool Pumps

Power Defender 3.0 HP Pump - Performance Curves

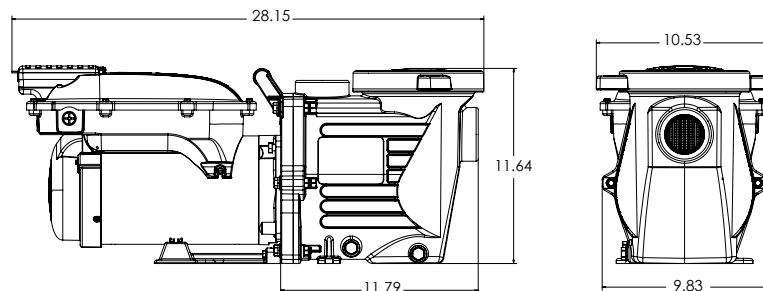


Adjustable Base included. Ideal when replacing or plumbing Sta-Rite, Hayward or Pentair pumps in the field.

675-1380 See Page 55.



Smart energy solutions for the Pool & Spa industry.



Power Defender 300 - Variable Speed Pump

Part No.	Description	Volts	HP	List (US \$)
PD-VSC300	Power Defender 3.0 HP Variable Speed Pump	230	3.0 HP	2,528.98



POWER Defender
300(SVL)
VARIABLE SPEED PUMP

Silent operation, extreme vertical lift, variable speed... all in one pump!



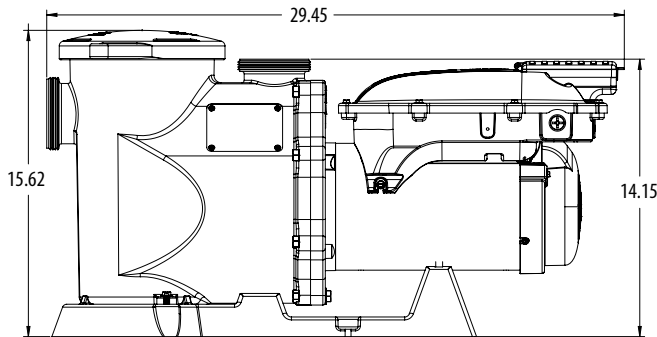
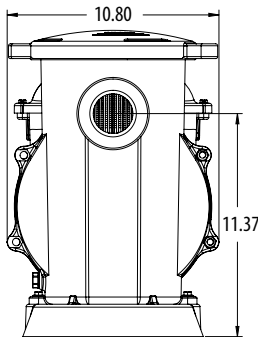
FEATURES:

- Provides 24' of lift (above water level) compared to the industry standard of 10'
- 3 HP, 13.5 amps, 230 VAC
- Built-in and programmable variable frequency drive that can be rotated 180° for easy access and serviceability
- Proven SVL wet end
- Silicone carbide seals, Viton bellows, 316SS casing for superior protection from bromine, chlorine, hydrogen peroxide and salt

- Water-proof construction with heavy-duty die-cast housing
- Works great as stand-alone pump, or with Waterway Oasis Pool/Spa Control

For replacement parts, see page 276.

For unions, see page 58.



Smart **energy solutions** for the Pool & Spa industry.

Power Defender SVL300

Part No.	Description	Volts	HP	Weight (lbs.)	List (US \$)
PD-VSA300	Power Defender SVL300	230VAC	3	13.5	2,623.86



Pool Pumps - In-Ground / SVL56 - High Flow - 56-Frame

FEATURES:

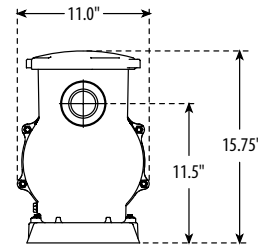
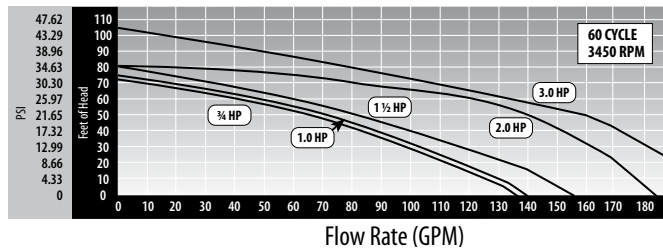
- Extremely quiet operation
- Self-priming
- Vertical lift of 24 ft.
- Easy to service
- True 56-frame motor for cooler running and longer life
- 2 1/2" union threads x 2" FPT with unions (included)
- Large trap basket with cam-lock lid
- 60 Hz rating
- Silicone carbide seals

The extraordinary quietness of the SVL56 moves us nearer to the goal of silent operation, and it provides by far the best vertical lift. A true 56-frame motor ensures long life and uninterrupted power. Attention to detail is evident in the design of this proven pump. Designed for easy serviceability and installation, the pump accepts either 2" or 2 1/2" plumbing connections and features dual bearings for cooler operating temperature. This pump will provide years of trouble-free performance.

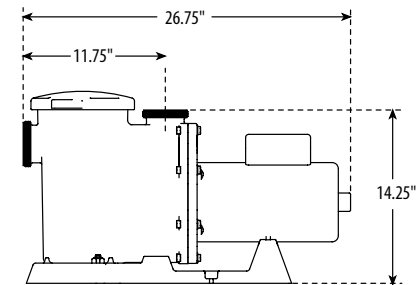
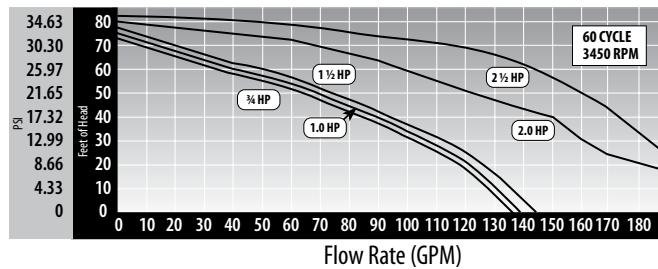


For replacement parts, see page 274.
For unions, see page 58.

HIGH PERFORMANCE PRESSURE VERSUS FLOW RATE



STANDARD PERFORMANCE PRESSURE VERSUS FLOW RATE



High Performance - Full Rated

Part No.	Description	Volts	HP	Weight (lbs.)	List (US \$)
SVL56E-110	1-Speed - 2" or 2 1/2" Intake and Discharge	115 / 230	1.0	57	1,431.62
SVL56E-115	1-Speed - 2" or 2 1/2" Intake and Discharge	230	1.5	51	1,548.67
SVL56E-120	1-Speed - 2" or 2 1/2" Intake and Discharge	230	2.0	54	1,722.44
SVL56E-130	1-Speed - 2" or 2 1/2" Intake and Discharge	230	3.0	65	2,206.58

Standard Performance - Maximum Rated

Part No.	Description	Volts	HP	Weight (lbs.)	List (US \$)
SVL56S-110	1-Speed - 2" or 2 1/2" Intake and Discharge	115 / 230	1.0	57	1,193.97
SVL56S-115	1-Speed - 2" or 2 1/2" Intake and Discharge	115 / 230	1.5	51	1,261.35
SVL56S-120	1-Speed - 2" or 2 1/2" Intake and Discharge	230	2.0	54	1,438.72
SVL56S-125	1-Speed - 2" or 2 1/2" Intake and Discharge	230	2.5	61	1,697.62
SVL56S-215	2-Speed - 2" or 2 1/2" Intake and Discharge	230	1.5	61	1,545.09
SVL56S-220	2-Speed - 2" or 2 1/2" Intake and Discharge	230	2.0	65	1,603.65



FEATURES:

- Quiet operation
- Self-priming
- 2" FPT intake and discharge
- 2" Swivel Unions (included)
- Easy to service
- True 56-frame motor for cooler running and longer life
- Large trap basket with cam-lock lid
- 60 Hz rating
- Silicone carbide seals

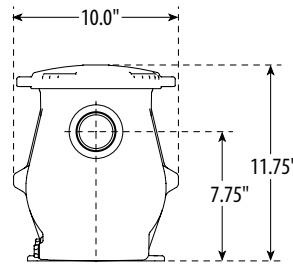
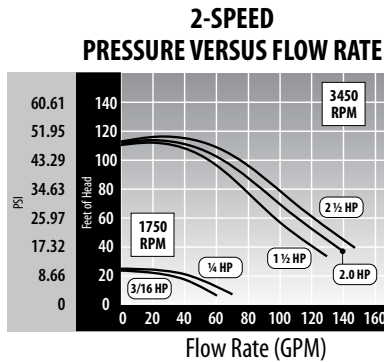
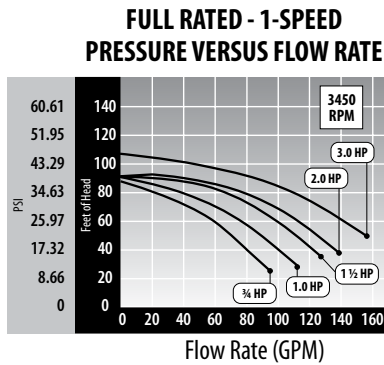
**Comes complete with
2 Swivel Union Assemblies
& Adjustable Base Kit**

*Great for precise
alignment & plumbing
versatility!*

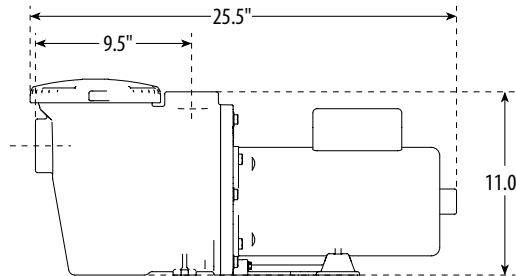


For replacement parts, see page 286.
For unions, see page 58.

The Champion High Performance Pump is compatible with all cleaning systems, various filters and jet action spas. The Champion Pump is ideal for new installations and as a replacement pump due to its dimensions.



**Adjustable Base
included. Ideal when
replacing or plumbing
Sta-Rite, Hayward
or Pentair pumps
in the field.**
675-1380 See Page 55.



Pool Pumps

High Performance - Full Rated

Part No.	Description	Volts	HP	Weight (lbs.)	List (US \$)
CHAMPE-107	1-Speed	115/230	3/4	40	1,244.73
CHAMPE-110	1-Speed	115/230	1.0	35	1,341.43
CHAMPE-115	1-Speed	230	1.5	35	1,470.33
CHAMPE-120	1-Speed	230	2.0	39	1,654.39

Standard Performance - Maximum Rated

Part No.	Description	Volts	HP	Weight (lbs.)	List (US \$)
CHAMPS-107	1-Speed	115/230	3/4	33	1,092.08
CHAMPS-110	1-Speed	115/230	1.0	40	1,148.02
CHAMPS-115	1-Speed	115/230	1.5	39	1,211.67
CHAMPS-120	1-Speed	115/230	2.0	52	1,343.11
CHAMPS-125	1-Speed	230	2.5	42	1,622.99
CHAMPS-215	2-Speed	230	1.5	46	1,557.07
CHAMPS-220	2-Speed	230	2.0	45	1,640.14

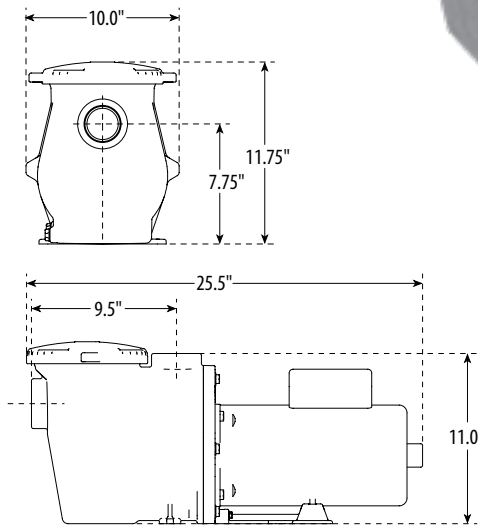


Pool Pumps - In-Ground / SMF

Comes complete with 2 Swivel Union Assemblies & Adjustable Base Kit

Great for precise alignment and plumbing versatility!

For replacement parts, see page 284.
For unions, see page 58.



FEATURES:

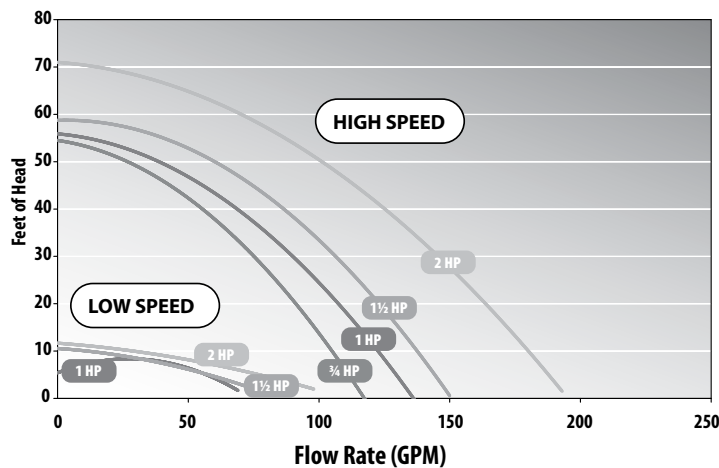
- Super quiet operation
- 2" Swivel Unions included (Intake/Discharge)
- One piece pot and volute reduce noise
- Lower flow rates for more versatile installations
- 1.5" x 2" Bushings included
- Silicone carbide seals



Adjustable Base included. Ideal when replacing or plumbing Sta-Rite, Hayward or Pentair pumps in the field.

675-1380 See Page 55.

SMF - Performance Curves



SMF - 1-Speed Pumps

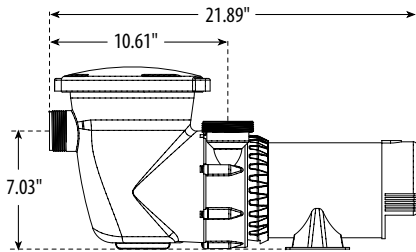
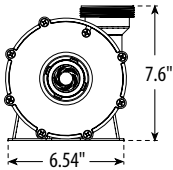
Part No.	Description	Volts	HP	Weight (lbs.)	List (US \$)
SMF-107	1-Speed	115/208-230	¾	38	775.63
SMF-110	1-Speed	115/208-230	1.0	43	807.64
SMF-115	1-Speed	115/208-230	1.5	47	873.58
SMF-120	1-Speed	208-230	2.0	48	1,017.82



Pool Pumps - Above Ground / Supreme - 48-Frame

FEATURES:

- 1 1/2" Union threads / 1 1/2" FPT Intake and 2" Union threads / 1 1/2" FPT discharge
- Extra large 7" pump trap with clear lid
- Powerful side discharge performance
- Wet end easily rotates

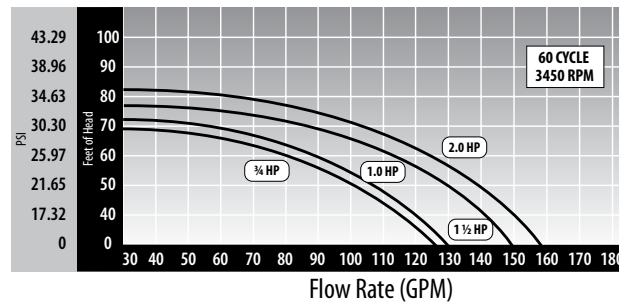


For replacement parts, see page 288.

The Supreme Pump is the ultimate in above ground pool engineering. Designed for today's more demanding applications, the Supreme Pump is ideal for D.E., cartridge or sand filtration systems of all sizes.

Pool Pumps

Supreme Performance Curves



Supreme 48-Frame Above Ground Pool Pump

Part No.	Description	Volts	Amps	HP	Weight (lbs.)	List (US \$)
PSP1075-3	1-Speed - 3 ft. Twist-Lock Cord	115	10.78	3/4	25	668.06
PSP1100-3	1-Speed - 3 ft. Twist-Lock Cord	115	13.2	1.0	25	680.34
PSP1150-3	1-Speed - 3 ft. Twist-Lock Cord	115	13.2	1.5	26	731.78
PSP1200-3	1-Speed - 3 ft. Twist-Lock Cord	115	18.04	2.0	31	862.19
PSP2075-3	2-Speed - 3 ft. Twist-Lock Cord	115	10.78	3/4	27	797.01
PSP2100-3	2-Speed - 3 ft. Twist-Lock Cord	115	13.2	1.0	30	814.54
PSP2150-3	2-Speed - 3 ft. Twist-Lock Cord	115	13.2	1.5	31	874.74
PSP2200-3	2-Speed - 3 ft. Twist-Lock Cord	115	18.04	2.0	35	937.48
PSP1075-6	1-Speed - 3 ft. NEMA Cord	115	10.78	3/4	25	668.06
PSP1100-6	1-Speed - 3 ft. NEMA Cord	115	13.2	1.0	25	680.34
PSP1150-6	1-Speed - 3 ft. NEMA Cord	115	13.2	1.5	25	731.78
PSP1200-6	1-Speed - 3 ft. NEMA Cord	115	18.04	2.0	31	862.19
PSP2075-6	2-Speed - 3 ft. NEMA Cord	115	10.78	3/4	29	797.01
PSP2100-6	2-Speed - 3 ft. NEMA Cord	115	13.2	1.0	30	814.54
PSP2150-6	2-Speed - 3 ft. NEMA Cord	115	13.2	1.5	32	874.74
PSP2200-6	2-Speed - 3 ft. NEMA Cord	115	18.04	2.0	36	937.48

Part numbers listed are for the discharge in the vertical position (sand). For discharge in horizontal position (cartridge and D.E.), add "R" to the end of the part number.

1-speed pumps have an on/off toggle switch. 2-speed pumps have a hi/lo/off toggle switch included.

NEMA cord is 3 prong grounded. All power cords are 3' in length.



Pool Pumps - Above Ground / Hi-Flo II Side Discharge - 48-Frame

FEATURES:

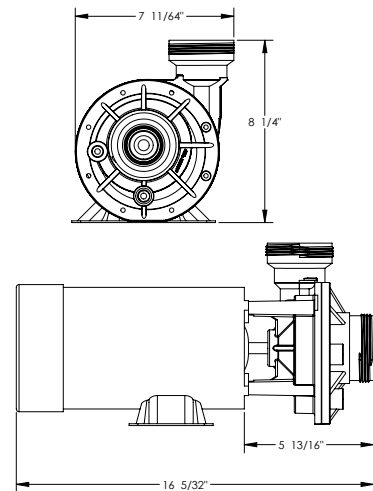
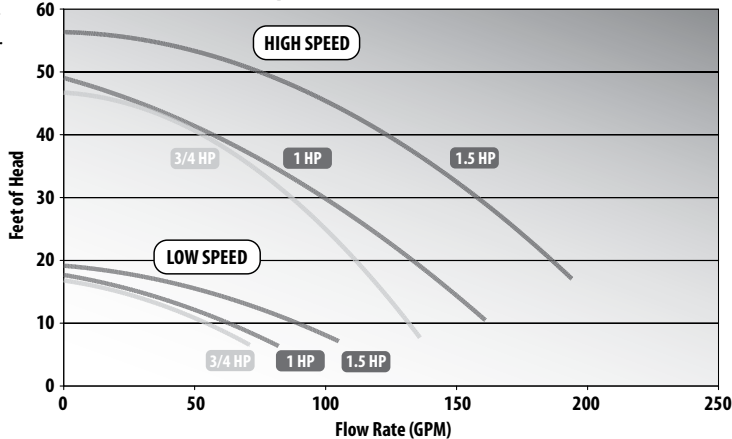
- 1 1/2" union threads / 1 1/2" FPT intake and 2" union threads / 1 1/2" FPT discharge
- Powerful side discharge performance
- Wet end can be rotated for easy installation
- Large 6" pump trap with one-piece clear lid
- High head capability
- Trap is 2" union x 1 1/2" union / 1 1/2" FPT



For replacement parts, see page 290.

The Hi-Flo II Above Ground pump was designed for superior performance. The Hi-Flo II pump features high flow rate performance for faster filtering cycles. This pump is ideal for new installations or as a replacement pump.

Hi-Flo II Pumps – Performance Curves



Hi-Flo II Side Discharge 48-Frame Above Ground Pool Pump and Trap

Part No.	Description	Volts	HP	Weight (lbs.)	List (US \$)
PH1075-3	1-Speed - 3 ft. Twist-Lock Cord	115	3/4	24	608.97
PH1100-3	1-Speed - 3 ft. Twist-Lock Cord	115	1.0	25	629.56
PH1150-3	1-Speed - 3 ft. Twist-Lock Cord	115	1.5	30.5	679.76
PH1200-3	1-Speed - 3 ft. Twist-Lock Cord	115	2.0	32	810.20
PH2100-3	2-Speed - 3 ft. Twist-Lock Cord	115	1.0	25	762.55
PH2150-3	2-Speed - 3 ft. Twist-Lock Cord	115	1.5	30.5	822.71
PH2200-3	2-Speed - 3 ft. Twist-Lock Cord	115	2.0	32	885.45
PH1075-6	1-Speed - 3 ft. NEMA Cord	115	3/4	26	608.97
PH1100-6	1-Speed - 3 ft. NEMA Cord	115	1.0	30	629.56
PH1150-6	1-Speed - 3 ft. NEMA Cord	115	1.5	33	679.76
PH1200-6	1-Speed - 3 ft. NEMA Cord	115	2.0	35	810.20
PH2075-6	2-Speed - 3 ft. NEMA Cord	115	3/4	26	744.98
PH2100-6	2-Speed - 3 ft. NEMA Cord	115	1.0	30	762.55
PH2150-6	2-Speed - 3 ft. NEMA Cord	115	1.5	33	822.71
PH2200-6	2-Speed - 3 ft. NEMA Cord	115	2.0	35	885.45

Part numbers listed are for the discharge in the vertical position (sand). For discharge in horizontal position (cartridge and D.E.), add "R" to the part number.

For parts with no trap assembly, add "P" to the end of the part number.

1-speed pumps have an on/off toggle switch. 2-speed pumps have a hi/lo/off toggle switch included.

NEMA cord is 3 prong grounded. All power cords are 3' in length.

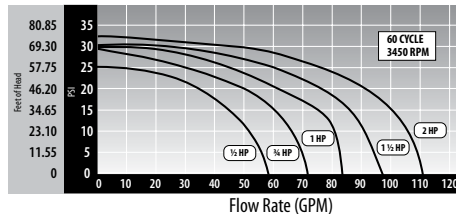
Pool Pumps - Above Ground / Center Discharge - 48-Frame



FEATURES:

- 1 1/2" Union / 1 1/2" FPT Inlet & Vertical Discharge or 1 1/2" Union / 1 1/2" FPT Inlet and Jacuzzi Self-Aligning Union Discharge (SLR9)
- Powerful center discharge performance
- Wet end can be rotated for easy installation
- Large 6" pump trap with 2-piece lid
- High head capability
- Trap is 2" union x 1 1/2" union / 1 1/2" FPT

PRESSURE VERSUS FLOW RATE



For replacement parts, see page 293.

Center Discharge Above Ground Pool Pump

Part No.	Description	HP	Volts	Weight (lbs.)	List (US \$)
3410210-1544	1-Speed - 3 ft. Twist-Lock Cord	1/2	115	24	593.55
3410314-1544	1-Speed - 3 ft. Twist-Lock Cord	3/4	115	24	597.20
3410413-1544	1-Speed - 3 ft. Twist-Lock Cord	1.0	115	24	609.28
3410612-1544	1-Speed - 3 ft. Twist-Lock Cord	1.5	115	26	659.31
3410811-1544	1-Speed - 3 ft. Twist-Lock Cord	2.0	115	26	779.90
3420310-1544	2-Speed - 3 ft. Twist-Lock Cord	3/4	115	29	718.88
3420411-1544	2-Speed - 3 ft. Twist-Lock Cord	1.0	115	29	738.58
3420612-1544	2-Speed - 3 ft. Twist-Lock Cord	1.5	115	31	794.46
3420610-1544	2-Speed - 3 ft. Twist-Lock Cord	2.0	115	--	850.39
3410210-1549	1-Speed - 3 ft. NEMA Cord	1/2	115	24	593.56
3410314-1549	1-Speed - 3 ft. NEMA Cord	3/4	115	24	597.20
3410413-1549	1-Speed - 3 ft. NEMA Cord	1.0	115	24	609.28
3410612-1549	1-Speed - 3 ft. NEMA Cord	1.5	115	26	659.31
3410811-1549	1-Speed - 3 ft. NEMA Cord	2.0	115	26	779.90
3420310-1549	2-Speed - 3 ft. NEMA Cord	3/4	115	30	718.88
3420411-1549	2-Speed - 3 ft. NEMA Cord	1.0	115	30	738.58
3420612-1549	2-Speed - 3 ft. NEMA Cord	1.5	115	31	794.46
3420610-1549	2-Speed - 3 ft. NEMA Cord	2.0	115	34	850.39

Center Discharge Above Ground Pool Pump - Jacuzzi Style Threads

Part No.	Description	HP	Volts	Weight (lbs.)	List (US \$)
3410210-1524	1-Speed - 3 ft. Twist-Lock Cord	1/2	115	24	609.51
3410314-1524	1-Speed - 3 ft. Twist-Lock Cord	3/4	115	24	614.52
3410413-1524	1-Speed - 3 ft. Twist-Lock Cord	1.0	115	20	627.11
3410612-1524	1-Speed - 3 ft. Twist-Lock Cord	1.5	115	26	677.24
3410811-1524	1-Speed - 3 ft. Twist-Lock Cord	2.0	115	--	803.43
3420310-1524	2-Speed - 3 ft. Twist-Lock Cord	3/4	115	29	739.93
3420411-1524	2-Speed - 3 ft. Twist-Lock Cord	1.0	115	29	760.03
3420612-1524	2-Speed - 3 ft. Twist-Lock Cord	1.5	115	30	817.72
3420610-1524	2-Speed - 3 ft. Twist-Lock Cord	2.0	115	--	827.38
3410210-1529	1-Speed - 3 ft. NEMA Cord	1/2	115	24	609.51
3410314-1529	1-Speed - 3 ft. NEMA Cord	3/4	115	24	614.52
3410413-1529	1-Speed - 3 ft. NEMA Cord	1.0	115	24	627.11
3410612-1529	1-Speed - 3 ft. NEMA Cord	1.5	115	26	677.24
3410811-1529	1-Speed - 3 ft. NEMA Cord	2.0	115	26	807.67
3420310-1529	2-Speed - 3 ft. NEMA Cord	3/4	115	30	739.93
3420411-1529	2-Speed - 3 ft. NEMA Cord	1.0	115	30	760.03
3420612-1529	2-Speed - 3 ft. NEMA Cord	1.5	115	31	817.72
3420610-1529	2-Speed - 3 ft. NEMA Cord	2.0	115	--	850.39



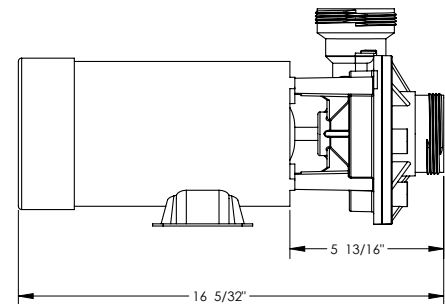
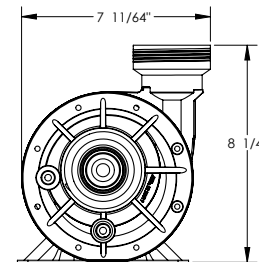
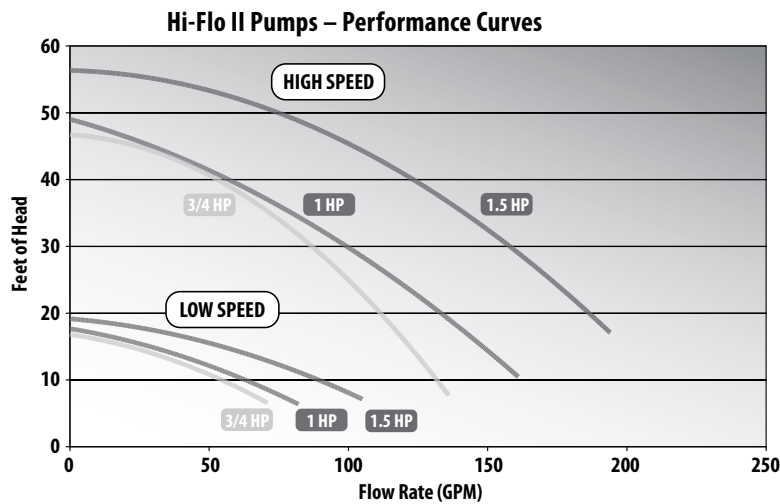
Spa Pumps / Hi-Flo II Side Discharge - 48-Frame

FEATURES:

- High volume side discharge performance
- 60% higher performing than our center discharge pumps
- 2" intake and discharge
- Wet end can be rotated for easy installation
- Available in 1 to 2 HP, 1 or 2 speed
- Large 6 1/2" diameter wet end for higher head pressure



For replacement parts, see page 301.



2-Speed Hi-Flo II Side Discharge 48-Frame Pumps

Part No.	HP	Volts	Amps High Speed	Amps Low Speed	Hz	Dimension "A"	List (US \$)
3420410-10	1.0	115	11.0	2.9	60	14.73"	591.35
3420610-10	1.5	115	16.4	4.4	60	15.48"	645.73
3420620-10	1.5	230	8.0	2.6	60	15.48"	645.73
3420820-10	2.0	230	10.5	2.6	60	16.00"	684.21

1-Speed Hi-Flo II Side Discharge 48-Frame Pumps

Part No.	HP	Volts	Amps	Hz	Dimension "A"	List (US \$)
3410410-10	1.0	115	12.0	60	14.23"	511.67
3410612-10	1.5	115	17.0	60	14.78"	511.67
3410830-10	2.0	115/230	20-10	60	14.98"	629.67



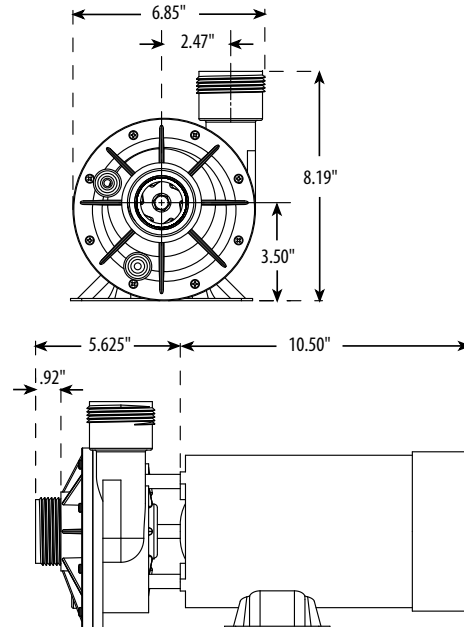
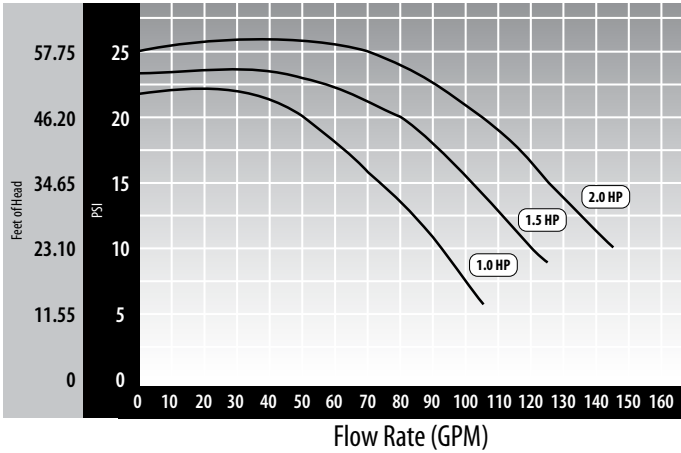
FEATURES:

- 48-frame proven design
- Designed for direct replacement in most spas
- Viton seals
- 1 1/2" Intake and Discharge
- Direct replacement for Aqua Flo FMHP



For replacement parts, see page 299.

PRESSURE VERSUS FLOW RATE



2-Speed Spa Flo II 48-Frame Pumps

Part No.	HP	Volts	Hz	Case Quantity	List (US \$)
3420410-SOZ	1	115	60	1	591.35
3420610-SOZ	1 1/2	115	60	1	645.73
3420820-SOZ	2	230	60	1	684.21

Sold without cords. Please call for available cords.

1-Speed Spa Flo II 48-Frame Pumps

Part No.	HP	Volts	Hz	Case Quantity	List (US \$)
3410410-SOZ	1	115	60	1	511.04
3410610-SOZ	1 1/2	115	60	--	549.84
3410830-SOZ	2	115 / 230	60	1	629.67

Sold without cords. Please call for available cords.



Spa Pumps / EX 2

FEATURES:

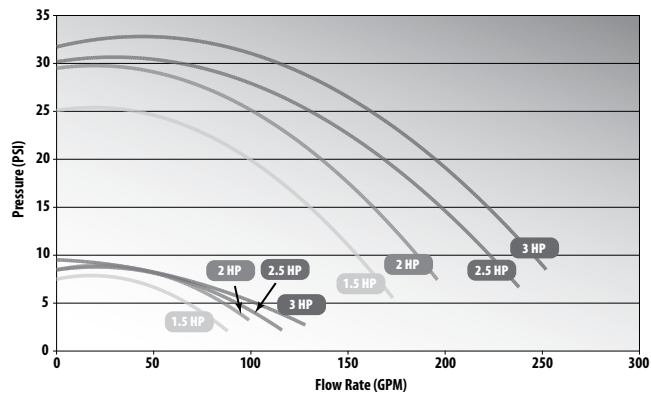
- True continuous rated horsepower of 1.5, 2.0, 2.5 and 3.0 HP
- 48-Frame or 56-Frame, Single or Dual Speed (energy saving)
- Use more jets per pump
- Same physical size as Aqua-Flo XP2, XP2e (fits within the same volume envelope)
- Can be used as substitute or retrofit to Aqua-Flo model XP2 or XP2e pumps and similar pumps and wet ends offered by other domestic and foreign suppliers
- Made in USA from highest quality materials with UL and CUL certifications
- CE and TUV certification on export pumps to ensure product performance for you and your customers
- Equipped with the highest quality Viton Seals
- Equipped with high performance electrical motors, custom designed for Spa applications



For replacement parts, see page 296.

Call for available cords and plugs.

EX2 Performance Chart



2-Speed EX 2 48-Frame Pumps

Part No.	Description	HP - Full	Volts	Amps High Speed	Amps Low Speed	Weight (lbs.)	Hz	List (US \$)
3420610-1U	2" Intake - 2" Discharge	1.5	115	16.4	4.4	--	60	645.73
3420820-1U	2" Intake - 2" Discharge	2	230	10.5	2.6	33	60	684.21
3421021-1U	2" Intake - 2" Discharge	2	230	9.0	2.8	31	60	628.10
3421221-1U	2" Intake - 2" Discharge	2	230	8.5	2.8	34	60	708.02
3421020-1U	2" Intake - 2" Discharge	2.5	230	11.0	3.3	36	60	734.00
3421821-1U	2" Intake - 2" Discharge	3	230	12.0	3.5	37	60	798.20

1-Speed EX 2 48-Frame Pumps

Part No.	Description	HP - Full	Volts	Amps	Weight (lbs.)	Hz	List (US \$)
3410610-1U	2" Intake - 2" Discharge	1.5	115	17.0	27	60	549.84
3411020-1U	2" Intake - 2" Discharge	2.5	230	10.0	34	60	736.77
3411621-1U	2" Intake - 2" Discharge	3.0	230	12.0	35	60	739.64

2-Speed EX 2 56-Frame Pumps

Part No.	Description	HP - Full	Volts	Amps High Speed	Amps Low Speed	Weight (lbs.)	Hz	List (US \$)
3720821-1W	2" Intake - 2" Discharge	2	230	8.0	3.0	34	60	687.81
3721621-1W	2" Intake - 2" Discharge	3.0	230	12.0	4.4	47	60	801.21
3M21621-1W	2" Intake - 2" Discharge	3.0	230	12.0	4.4	44	60	801.21

1-Speed EX 2 56-Frame Pumps

Part No.	Description	HP - Full	Volts	Amps	Weight (lbs.)	Hz	List (US \$)
3711621-1W	2" Intake - 2" Discharge	3.0	230	12.0	41	60	769.87

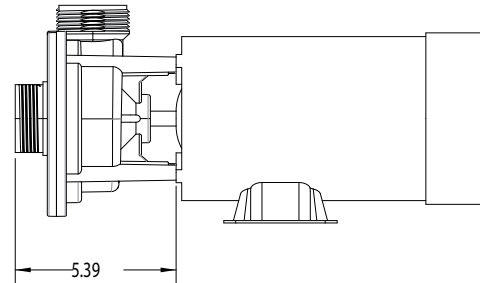
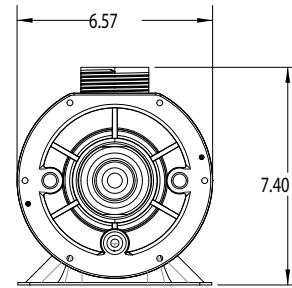
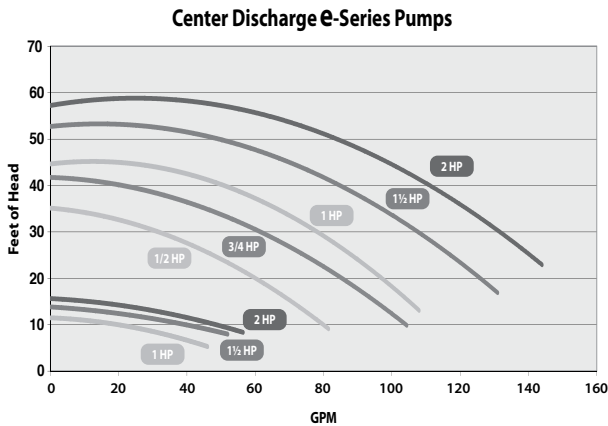


FEATURES:

- Reliable center discharge performance
- 1 1/2" intake and discharge
- Wet end can be rotated for easy installation
- Available in 3/4 to 2 HP, 1 or 2 speed
- Viton Seals
- 18 month warranty



For replacement parts, see page 292.



Pool Pumps

2-Speed Center Discharge Spa Pumps

Part No.	HP	Volts	Amps High Speed	Amps Low Speed	Hz	Dimension "A"	Weight (lbs.)	List (US \$)
3420310-15	3/4	115	8.8	2.6	60	15.00"	25	564.92
3420410-15	1.0	115	11.0	2.9	60	15.00"	26	591.35
3420610-15	1.5	115	16.4	4.4	60	15.75"	29	645.73
3420620-15	1.5	230	8.0	2.6	60	15.73"	29	645.73
3420820-15	2.0	230	10.5	2.6	60	16.28"	32	684.21

1-Speed Center Discharge Spa Pumps

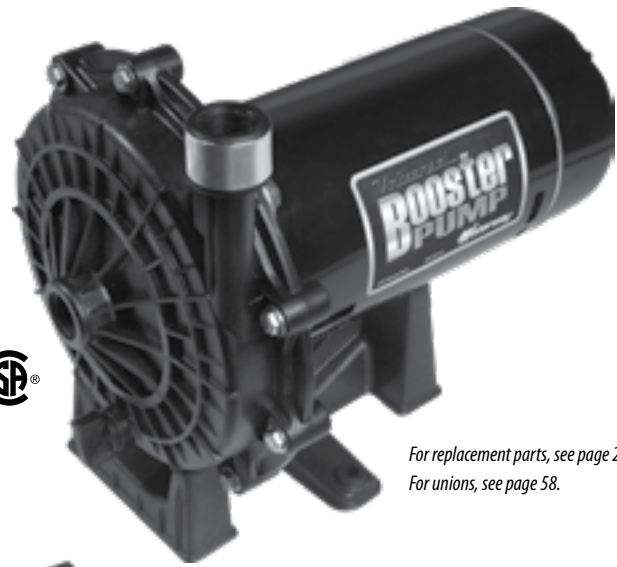
Part No.	HP	Volts	Amps	Hz	Dimension "A"	Weight (lbs.)	List (US \$)
3410310-15	3/4	115	9.8	60	14.00"	19	489.14
3410410-15	1.0	115	12.0	60	14.50"	21	511.04
3410610-15	1.5	115	17.0	60	15.05"	26	549.84
3410830-15	2.0	115/230	20-10	60	16.26"	33	629.67



Pool Pumps - In-Ground / **Universal Booster Pump**

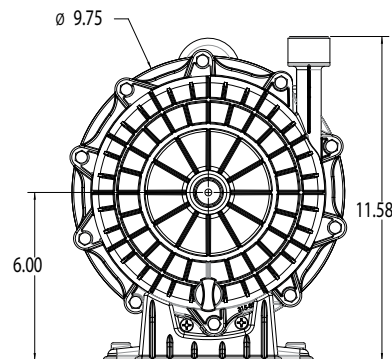
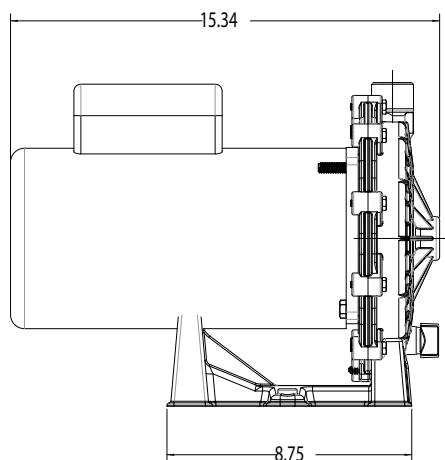
FEATURES:

- Suitable for all swimming pool pressure cleaners
- Best replacement for any ¾ HP booster pump
- Optimized for reliability, durability and performance
- Comes with a tall, versatile mounting base
- Equipped with a high performance square flange ¾ HP, 230/115 V motor. Provides extra quiet, long life operation and optimum performance.
- Maintains one of the highest head pressures in the industry



For replacement parts, see page 270.
For unions, see page 58.

Comes with everything you need to install or retrofit the pump: reinforced flexible pump hose, hose barb adaptors and clamps.



Universal Booster Pump

Part No.	Description	Volts	HP	List (US \$)
3810430-1PDA	Booster Pump 60 HZ with Connectors and Hose Kit	115/230V	¾ HP	659.75
550-8700	Hose, Fitting And Clamp Kit (4)	N/A	N/A	57.97

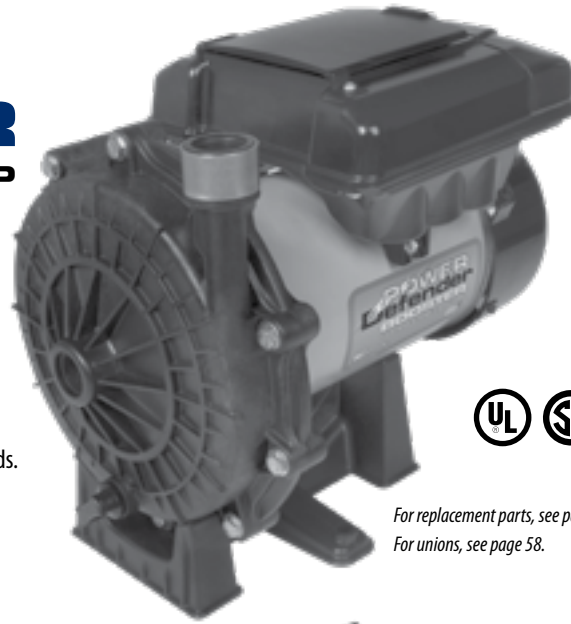


POWER Defender
BOOSTER
VARIABLE SPEED PUMP

The first Variable Speed Pressure Cleaner Booster Pump.

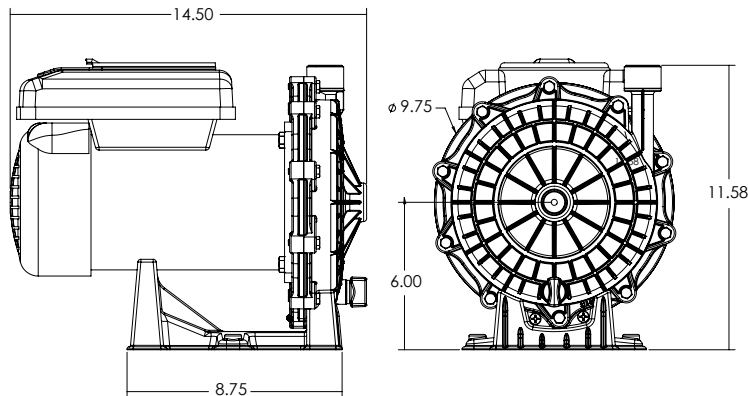
FEATURES:

- Change the operational speed of your pool cleaner. Save on your electric bill and optimize the performance of your pressure pool cleaner to fit your custom pool cleaning needs.
- Reduce wear, and extend the life of your pressure pool cleaner by avoiding unnecessary and excessive speed
- Built-in timer provides 3 custom cleaning schedules for your pool cleaner – without the need for a separate timer. Program a different custom cleaning schedule for each season.
- Ultra high performance, quiet and durable Permanent Magnet motor provides years of trouble free service



*For replacement parts, see page 272.
For unions, see page 58.*

Comes with everything you need to install or retrofit the pump: reinforced flexible pump hose, hose barb adaptors and clamps.



Smart **energy solutions** for the Pool & Spa industry.

Power Defender Booster Pump

Part No.	Description	Volts	HP	List (US \$)
PD-275	Power Defender Variable Speed Booster	230V	¾ HP	1,296.35
PD-175	Power Defender Variable Speed Booster	115V	¾ HP	1,296.35



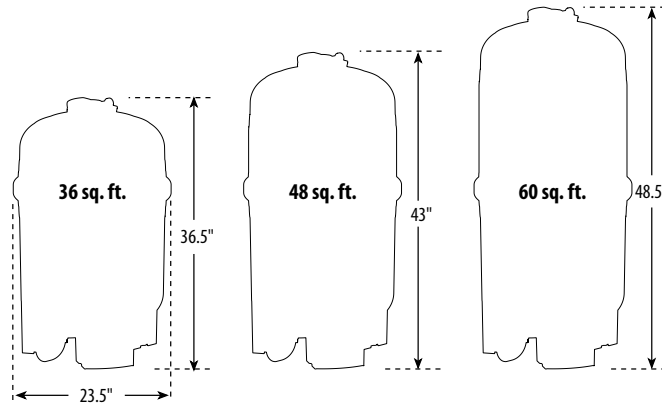
Pool Filters - In-Ground / Crystal Water - D.E.

FEATURES:

- NSF Listed
- 2 ½" internal piping
- Fiberglass reinforced polypropylene body for superior strength
- "Multi-Handle" design
- Heavy-duty tamper-proof clamp
- Industry-proven D.E. grids
- "Start-Service" dial on stainless steel pressure gauge
- 1 ½" bottom clean-out port
- 2 ½" hi-temp PVC slide valve available
- 2 ½" x 2" Multi-Port Valves – available in Slip or FPT
- Convertible to cartridge by simply changing internals



For replacement parts, see page 306.



Crystal Water D.E. Filters

Part No.	Size	Flow Rate	Pool Turnover (6 hrs.)	Pool Turnover (8 hrs.)	Weight (lbs.)	List (US \$)
570-0036-07	36 sq. ft.	72 GPM	25,920	34,560	70	1,465.65
570-0048-07	48 sq. ft.	96 GPM	34,560	46,080	80	1,665.63
570-0060-07	60 sq. ft.	120 GPM	43,200	57,600	90	1,832.24



600-1500



WVD001

Valves for D.E. Filters

Part No.	Description	Case Quantity	Weight (lbs.)	List (US \$)
600-1500	2 ½" Hi-Temp PVC Slide Valve Assembly (2" and 1 ½" reducers included)	1	11	166.65
550-4280	Slide Valve Adapter Fitting Package for D.E. / Cartridge Filter (2" and 1 ½" reducers included)	1	--	51.90
WVD001	Multi-Port Valve with Union Connections - 2" FPT	1	13	269.86
WVD002	Multi-Port Valve with Union Connections - 2" Socket	1	13	269.86

Designed for today's most demanding installations, the Crystal Water D.E. Filter sets a new standard of performance and features for pool filters. The only D.E. filter on the market with 2 ½" internal piping, improves flow and reduces system noise when using 2 ½", 2" or 1 ½" plumbing. From the lid with the "Multi-Handle" design to the 2" bottom clean out port, the Crystal Water D.E. Filter will provide years of trouble-free operation and crystal clear, sparkling water.

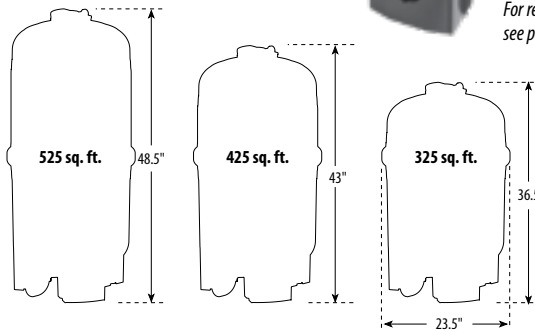


FEATURES:

- NSF Listed
- 2 ½" internal piping
- 2 ½" Valve Bulkhead Unions (includes 2" and 1 ½" reducers)
- Fiberglass reinforced polypropylene body for superior strength
- "Multi-Handle" design
- Heavy-duty tamper-proof clamp with removal tool
- Industry proven quad-cartridge elements layout
- "Start-Service" dial on stainless steel pressure gauge
- 1 ½" bottom clean-out port
- Convertible to D.E. by simply changing internals



Cluster of 4 cartridge elements for ease of maintenance and longer cleaning cycles.



For replacement parts, see page 310.

Combining high technology features and an easy to service design, the Crystal Water Cartridge Filter is ideal for new and replacement installations. The only cartridge filter on the market with 2 ½" internal piping, improves flow and reduces system noise when using 2 ½", 2" or 1 ½" plumbing. Using four cartridge elements, the Crystal Water Cartridge Filter offers a superior choice for easy maintenance and crystal clear, clean water.

Crystal Water Cartridge Filters

Part No.	Size	NSF Flow Rate	Pool Turnover (6 hrs.)	Pool Turnover (8 hrs.)	Weight (lbs.)	List (US \$)
570-0325-07	325 sq. ft.	112 GPM	43,200	57,600	74	1,848.73
570-0425-07	425 sq. ft.	150 GPM	54,000	72,000	84	2,082.08
570-0525-07*	525 sq. ft.	150 GPM	54,000	72,000	92	2,415.21

*Ideal for longer cleaning cycles



400-9974B

Bulkhead Fittings

Part No.	Description	Case Quantity	Weight (lbs.)	List (US \$)
421-4071B	Reducer - 1 ½" to 2"	--	--	3.36
421-4201B	Reducer - 2 ½" to 2"	--	--	7.18
415-4211B	2 ½" Union Nut (2 required)	--	--	12.74
417-2201B	2 ½" Tailpiece with Piston O-Ring Groove (2 required)	--	--	8.01
805-0232B	O-Ring - 2 ½" Union (4 required - 2 for each Bulkhead)	--	--	2.13



Pool Filters - Above Ground / ClearWater II - D.E.

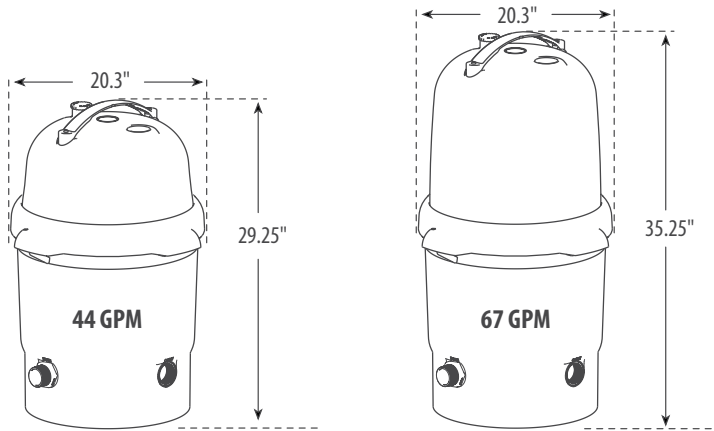
FEATURES:

- True Spiral Laminar flow for even disbursement of D.E.
- Automatic hydraulic regeneration
- High flow rate
- Modular grid system for easy maintenance
- Union gate valve with 1 1/2" hose adapter drain shut off
- Flush-mounted stainless steel pressure gauge
- Low-profile air relief plug
- Automatic air bleed capability
- Heavy-duty lid handle

True Spiral Laminar flow in an above ground filter. Spiral Laminar flow ensures even distribution of D.E. for maximum filtration. The ClearWater D.E. filter features automatic hydraulic regeneration, Waterway's Safety Lock Ring system for safe operation and maintenance, and a ten year warranty on its rugged glass-filled polymer body.



For replacement parts, see page 312.
For equipment bases, see page 55.



ClearWater II D.E. Filters

Part No.	Description	Filtration Area	Pool Turnover (6 hrs.)	Pool Turnover (8 hrs.)	Weight (lbs.)	List (US \$)
FD12-7	44 GPM Filter	12 sq. ft.	15,840	21,120	34	761.96
FD18-7	67 GPM Filter	18 sq. ft.	24,120	32,160	39	917.17

ClearWater II D.E. Accessories

Part No.	Description	Case Quantity	Weight (lbs.)	List (US \$)
672-7211	ClearWater Modular Filter Base - 7" x 23" Diameter	1	29	80.80
429-7300	Pin and Anchor Assembly Kit for Base	1	1	8.42

Pool Filters - Above Ground / ClearWater II - D.E. Deluxe System



FEATURES:

- True Spiral Laminar flow D.E. filter
- Top of the line Supreme High Performance Single or Dual Speed Pump
- Extra large 7" pump trap with clear lid
- Unionized gate valve to isolate the system for maintenance
- Drain Shut Off - Union Gate Valve with 1 1/2" hose adapter
- Two 1 1/2" diameter hoses with clamps
- Filter and pump mounting base, complete fitting package for all connections
- Accessory base (optional) allows for addition of optional timer and/or chlorinator kits for minimal maintenance
- Dual speed pump meets CEC Title 20 Code - Effective January 1, 2008



Complete the D.E. filtration system with the high performance Waterway Supreme Pump and accessories. The D.E. Filter and Pump Pack provides homeowners with everything they need to get their system up and running. It assures them of matched components and optimal performance with years of dependable service.

Filters / Filter Systems

ClearWater II D.E. Deluxe Systems - Supreme 1-Speed Pump

Part No.	Filter	Flow Rate	Pump	HP	Volts	Weight (lbs.)	Cord	List (US \$)
FDS044107-3S	FD12-7	44 GPM	PSP1100-3R	1.0	115	--	3 ft. Twist-Lock	1,338.82
FDS067107-3S	FD18-7	67 GPM	PSP1100-3R	1.0	115	76	3 ft. Twist-Lock	1,561.15
FDS067157-3S	FD18-7	67 GPM	PSP1150-3R	1.5	115	68	3 ft. Twist-Lock	1,959.70
FDS044107-6S	FD12-7	44 GPM	PSP1100-6R	1.0	115	--	3 ft. NEMA	1,338.82
FDS067107-6S	FD18-7	67 GPM	PSP1100-6R	1.0	115	--	3 ft. NEMA	1,560.80
FDS067157-6S	FD18-7	67 GPM	PSP1150-6R	1.5	115	--	3 ft. NEMA	1,959.28

INCLUDES:

- 2 hoses (1 1/2" x 6 ft.)
- Filter / Pump Union Adapter, Hose fittings and hose clamps
- 3 ft. cord Twist-Lock plug (NEC/UL), or 3 ft. cord NEMA plug
- 2 Unionized gate valves to isolate system for maintenance & drain
- Accessory base for optional timer and/or chlorinator

ClearWater II D.E. Deluxe Systems - Supreme 2-Speed Pump

Part No.	Filter	Flow Rate	Pump	HP	Volts	Weight (lbs.)	Cord	List (US \$)
FDS044107-3	FD12-7	44 GPM	PSP2100-3R	1.0	115	--	3 ft. Twist-Lock	1,521.47
FDS067107-3	FD18-7	67 GPM	PSP2100-3R	1.0	115	--	3 ft. Twist-Lock	1,896.42
FDS067157-3	FD18-7	67 GPM	PSP2150-3R	1.5	115	--	3 ft. Twist-Lock	1,932.64
FDS044107-6	FD12-7	44 GPM	PSP2100-6R	1.0	115	--	3 ft. NEMA	1,521.47
FDS067107-6	FD18-7	67 GPM	PSP2100-6R	1.0	115	--	3 ft. NEMA	1,896.42
FDS067157-6	FD18-7	67 GPM	PSP2150-6R	1.5	115	--	3 ft. NEMA	1,932.64

INCLUDES:

- 2 hoses (1 1/2" x 6 ft.)
- Filter / Pump Union Adapter, Hose fittings and hose clamps
- 3 ft. cord Twist-Lock plug (NEC/UL), or 3 ft. cord NEMA plug
- 2 Unionized gate valves to isolate system for maintenance & drain
- Accessory base for optional timer and/or chlorinator

ClearWater II D.E. Deluxe Systems (without Supreme Pump)

Part No.	Filter	Flow Rate	Weight (lbs.)	List (US \$)
FDS0447S	FD12-7	44 GPM	1	890.65
FDS0677S	FD18-7	67 GPM	1	1,266.80

INCLUDES:

- 2 hoses (1 1/2" x 6 ft.)
- Filter / Pump Union Adapter, Hose fittings and hose clamps
- 2 Unionized gate valves to isolate system for maintenance & drain
- Accessory base for optional timer and/or chlorinator

All power cords are 3' in length.



Pool Filters - Above Ground / ClearWater II - D.E. Standard System

FEATURES:

- True Spiral Laminar flow D.E. filter
- Hi-Flo II High Performance Single or Dual Speed Pump
- Large 6" pump trap with 2-piece lid
- Two 1 1/2" diameter hoses with clamps
- Complete fitting package for all connections
- Dual Speed meets CEC Title 20 Code - Effective January 1, 2008



The D.E. Filter and Pump Pack provides homeowners with everything they need to get their system up and running. It assures them of matched components and optimal performance with years of dependable service.

Filters / Filter Systems

INCLUDES:

- 2 Hoses (1 1/2" x 6 ft.)
- Filter/ Pump Union Adapter, Hose fittings and hose clamps
- 3 ft. cord Twist-Lock plug (NEC/UL), or 3 ft. cord NEMA plug
- Standard system base

ClearWater II D.E. Standard Systems - Hi-Flo II 1-Speed Pump

Part No.	Filter	Flow Rate	Pump	HP	Volts	Weight (lbs.)	Cord	List (US \$)
520-5007-3S	FD12-7	44 GPM	PH1100-3R	1.0	115	70	3 ft. Twist-Lock	1,218.71
520-5027-3S	FD18-7	67 GPM	PH1100-3R	1.0	115	70	3 ft. Twist-Lock	1,411.90
520-5037-3S	FD18-7	67 GPM	PH1150-3R	1.5	115	70	3 ft. Twist-Lock	1,460.01
520-5007-6S	FD12-7	44 GPM	PH1100-6R	1.0	115	70	3 ft. NEMA	1,218.71
520-5027-6S	FD18-7	67 GPM	PH1100-6R	1.0	115	70	3 ft. NEMA	1,411.90
520-5037-6S	FD18-7	67 GPM	PH1150-6R	1.5	115	70	3 ft. NEMA	1,460.01

INCLUDES:

- 2 Hoses (1 1/2" x 6 ft.)
- Filter/ Pump Union Adapter, Hose fittings and hose clamps
- 3 ft. cord Twist-Lock plug (NEC/UL), or 3 ft. cord NEMA plug
- Standard system base

ClearWater II D.E. Standard Systems - Hi-Flo II 2-Speed Pump

Part No.	Filter	Flow Rate	Pump	HP	Volts	Weight (lbs.)	Cord	List (US \$)
522-5007-3S	FD12-7	44 GPM	PH2100-3R	1.0	115	70	3 ft. Twist-Lock	1,293.71
522-5027-3S	FD18-7	67 GPM	PH2100-3R	1.0	115	--	3 ft. Twist-Lock	1,486.48
522-5037-3S	FD18-7	67 GPM	PH2150-3R	1.5	115	75	3 ft. Twist-Lock	1,539.12
522-5007-6S	FD12-7	44 GPM	PH2100-6R	1.0	115	70	3 ft. NEMA	1,293.72
522-5027-6S	FD18-7	67 GPM	PH2100-6R	1.0	115	70	3 ft. NEMA	1,486.96
522-5037-6S	FD18-7	67 GPM	PH2150-6R	1.5	115	70	3 ft. NEMA	1,539.12

INCLUDES:

- 2 Hoses (1 1/2" x 6 ft.)
- Filter/ Pump Union Adapter, Hose fittings and hose clamps
- Standard system base

ClearWater II D.E. Standard Systems (without Hi-Flo II Pump)

Part No.	Filter	Flow Rate	List (US \$)
520-5007	FD12-7	44 GPM	867.16
520-5027	FD18-7	67 GPM	896.10

All power cords are 3' in length.



FEATURES:

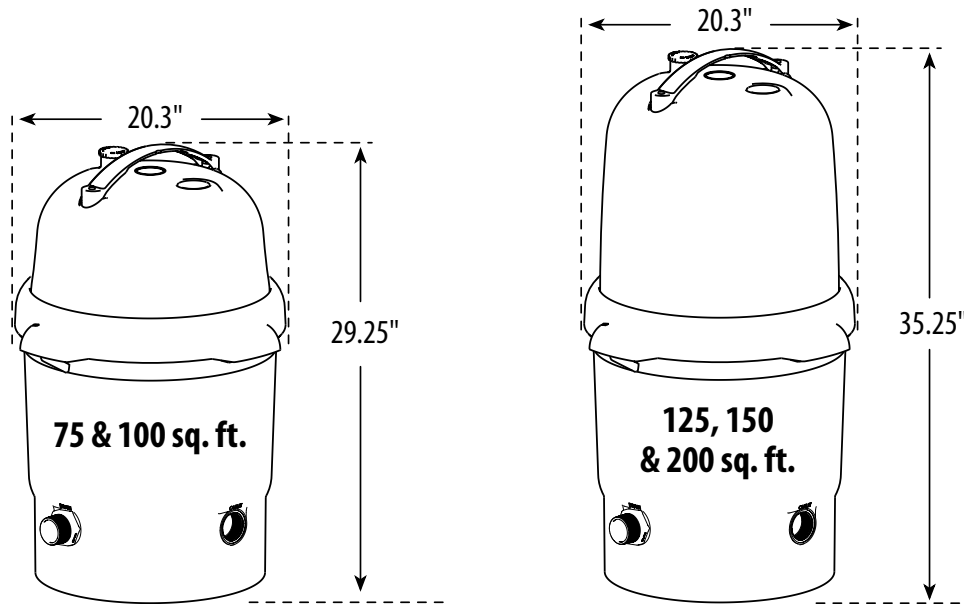
- Wide-body filtration system
- Durable glass-filled polymer filter body
- Three year warranty on filter body
- 1 1/2" clean out drain on 1 1/2" FPT
- Flush-mounted stainless steel pressure gauge
- Low-profile air relief plug
- Heavy-duty lid handle



For replacement parts, see page 313.
For equipment bases, see page 55.

Large filtration, small footprint and high flow. ClearWater II Cartridge Filters incorporate wide-body filtration elements to give maximum filtration without sacrificing flow rate. Made of a durable glass-filled polymer, ClearWater II Cartridge Filters provide years of trouble free performance. ClearWater II Cartridge Filters feature Waterway's Safety Lock Ring system to ensure safe operation and easy maintenance.

Filters / Filter Systems



ClearWater II Cartridge Filters

Part No.	Filtration Area	Flow Rate	Pool Turnover (6 hrs.)	Pool Turnover (8 hrs.)	Weight (lbs.)	List (US \$)
FC0757	75 sq. ft.	75 GPM	27,000	36,000	46	667.38
FC1007	100 sq. ft.	100 GPM	36,000	48,000	34	856.52
FC1257	125 sq. ft.	125 GPM	45,000	60,000	34	918.21
FC1507	150 sq. ft.	150 GPM	54,000	72,000	59	1,152.75
FC2007*	200 sq. ft.	150 GPM	54,000	72,000	36	1,302.62

*Longer period between cleaning cycles



Pool Filters - Above Ground / ClearWater II - Cartridge Deluxe System

Complete the Cartridge filtration system with the Waterway Supreme High Performance Pump and accessories.

FEATURES:

- Large filtration, small footprint cartridge filter
- Top of the line Supreme High Performance Single or Dual Speed Pump
- Extra large 7" pump trap with clear lid
- Unionized gate valve to isolate the system for maintenance
- Two 1 1/2" diameter hoses with clamps
- Filter and pump mounting base
- Complete fitting package for all connections
- Accessory base allows for addition of optional timer and/or chlorinator kits for minimal maintenance
- Dual speed pump meets CEC Title 20 Code - Effective January 1, 2008



INCLUDES:

- 2 hoses (1 1/2" x 6 ft.)
- Filter / Pump Union Adapter, hose fittings and hose clamps
- 3 ft. cord Twist-Lock plug (NEC/UL), or 3 ft. cord NEMA plug
- Deluxe one-piece base system
- Unionized gate valve to isolate system for maintenance
- Accessory base for optional timer and/or chlorinator

ClearWater II Cartridge Deluxe System with Supreme 1-Speed Pump

Part No.	Filter	Filtration Area	Pump	HP	Volts	Weight (lbs.)	Cord	List (US \$)
FCS075107-3S	FC0757	75 sq. ft.	PSP1100-3R	1.0	115	69	3 ft. Twist-Lock	1,195.70
FCS100107-3S	FC1007	100 sq. ft.	PSP1100-3R	1.0	115	--	3 ft. Twist-Lock	1,601.56
FCS125157-3S	FC1257	125 sq. ft.	PSP1150-3R	1.5	115	--	3 ft. Twist-Lock	1,494.85
FCS150157-3S	FC1507	150 sq. ft.	PSP1150-3R	1.5	115	72	3 ft. Twist-Lock	1,593.93
FCS200157-3S	FC2007	200 sq. ft.	PSP1150-3R	1.5	115	--	3 ft. Twist-Lock	1,746.09
FCS075107-6S	FC0757	75 sq. ft.	PSP1100-6R	1.0	115	--	3 ft. NEMA	1,195.45
FCS100107-6S	FC1007	100 sq. ft.	PSP1100-6R	1.0	115	74	3 ft. NEMA	1,362.10
FCS100137-6S	FC1007	100 sq. ft.	PSP1075-6R	0.75	115	74	3 ft. NEMA	1,268.34
FCS125157-6S	FC1257	125 sq. ft.	PSP1150-6R	1.5	115	--	3 ft. NEMA	1,494.85
FCS150157-6S	FC1507	150 sq. ft.	PSP1150-6R	1.5	115	72	3 ft. NEMA	1,593.93
FCS200137-6S	FC2007	200 sq. ft.	PSP1075-6R	0.75	115	78	3 ft. NEMA	1,515.84
FCS200157-6S	FC2007	200 sq. ft.	PSP1150-6R	1.5	115	--	3 ft. NEMA	1,746.09

INCLUDES:

- 2 hoses (1 1/2" x 6 ft.)
- Filter / Pump Union Adapter, hose fittings and hose clamps
- 3 ft. cord Twist-Lock plug (NEC/UL), or 3 ft. cord NEMA plug
- Deluxe one-piece base system
- Unionized gate valve to isolate system for maintenance
- Accessory base for optional timer and/or chlorinator

ClearWater II Cartridge Deluxe System with Supreme 2-Speed Pump

Part No.	Filter	Filtration Area	Pump	HP	Volts	Weight (lbs.)	Cord	List (US \$)
FCS075107-3	FC0757	75 sq. ft.	PSP2100-3R	1.0	115	69	3 ft. Twist-Lock	1,356.14
FCS100107-3	FC1007	100 sq. ft.	PSP2100-3R	1.0	115	74	3 ft. Twist-Lock	1,577.88
FCS125157-3	FC1257	125 sq. ft.	PSP2150-3R	1.5	115	--	3 ft. Twist-Lock	1,751.03
FCS150157-3	FC1507	150 sq. ft.	PSP2150-3R	1.5	115	72	3 ft. Twist-Lock	1,884.16
FCS200157-3	FC2007	200 sq. ft.	PSP2150-3R	1.5	115	--	3 ft. Twist-Lock	1,920.93
FCS075107-6	FC0757	75 sq. ft.	PSP2100-6R	1.0	115	69	3 ft. NEMA	1,343.26
FCS100107-6	FC1007	100 sq. ft.	PSP2100-6R	1.0	115	74	3 ft. NEMA	1,601.56
FCS125157-6	FC1257	125 sq. ft.	PSP2150-6R	1.5	115	--	3 ft. NEMA	1,751.42
FCS150157-6	FC1507	150 sq. ft.	PSP2150-6R	1.5	115	72	3 ft. NEMA	1,884.16
FCS200157-6	FC2007	200 sq. ft.	PSP2150-6R	1.5	115	--	3 ft. NEMA	1,920.93

INCLUDES:

- 2 hoses (1 1/2" x 6 ft.)
- Filter/ Pump Union Adapter, hose fittings and hose clamps
- Deluxe one-piece base system
- Unionized gate valve to isolate system for maintenance
- Accessory base for optional timer and/or chlorinator

ClearWater II Cartridge Deluxe System (without Supreme Pump)

Part No.	Filter	Filtration Area	List (US \$)
FCS0757S	FC0757	75 sq. ft.	752.34
FCS1007S	FC1007	100 sq. ft.	1,003.52
FCS1257S	FC1257	125 sq. ft.	1,217.94
FCS1507S	FC1507	150 sq. ft.	1,217.94
FCS2007S	FC2007	200 sq. ft.	1,217.94

All power cords are 3' in length.

Pool Filters - Above Ground / ClearWater II - Cartridge Standard System



FEATURES:

- Large filtration, small footprint cartridge filter
- Hi-Flo II High Performance Single or Dual Speed Pump
- Large 6" pump trap with 2-piece lid
- Two 1 1/2" diameter hoses, with clamps
- Dual speed pump meets CEC Title 20 Code - Effective January 1, 2008



The Cartridge Filter and Pump Pack provides homeowners with everything they need to get their system up and running. It assures them years of dependable service.

ClearWater II Cartridge Standard System with Hi-Flo II 1-Speed Pump

Part No.	Filter	Filtration Area	Pump	HP	Volts	Weight (lbs.)	Cord	List (US \$)
520-5107-3S	FC0757	75 sq. ft.	PH1100-3R	1.0	115	60	3 ft. Twist-Lock	1,085.23
520-5127-3S	FC1007	100 sq. ft.	PH1100-3R	1.0	115	60	3 ft. Twist-Lock	1,262.64
520-5147-3S	FC1007	100 sq. ft.	PH1150-3R	1.5	115	60	3 ft. Twist-Lock	1,270.35
520-5157-3S	FC1257	125 sq. ft.	PH1150-3R	1.5	115	--	3 ft. Twist-Lock	1,357.79
520-5167-3S	FC1507	150 sq. ft.	PH1150-3R	1.5	115	65	3 ft. Twist-Lock	1,445.79
520-5187-3S	FC2007	200 sq. ft.	PH1150-3R	1.5	115	50	3 ft. Twist-Lock	1,575.84
520-5107-6S	FC0757	75 sq. ft.	PH1100-6R	1.0	115	60	3 ft. NEMA	1,085.23
520-5127-6S	FC1007	100 sq. ft.	PH1100-6R	1.0	115	60	3 ft. NEMA	1,262.64
520-5147-6S	FC1007	100 sq. ft.	PH1150-6R	1.5	115	60	3 ft. NEMA	1,270.06
520-5157-6S	FC1257	125 sq. ft.	PH1150-6R	1.5	115	70	3 ft. NEMA	1,273.77
520-5167-6S	FC1507	150 sq. ft.	PH1150-6R	1.5	115	50	3 ft. NEMA	1,445.78
520-5187-6S	FC2007	200 sq. ft.	PH1150-6R	1.5	115	51	3 ft. NEMA	1,585.92

INCLUDES:

- 2 hoses (1 1/2" x 6 ft.)
- Filter/ Pump Union Adapter, hose fittings and hose clamps
- 3 ft. cord Twist-Lock plug (NEC/UL), or 3 ft. cord NEMA plug
- One-piece system base

ClearWater II Cartridge Standard System with Hi-Flo II 2-Speed Pump

Part No.	Filter	Filtration Area	Pump	HP	Volts	Weight (lbs.)	Cord	List (US \$)
522-5107-3S	FC0757	75 sq. ft.	PH2100-3R	1.0	115	--	3 ft. Twist-Lock	1,160.24
522-5127-3S	FC1007	100 sq. ft.	PH2100-3R	1.0	115	66	3 ft. Twist-Lock	1,337.66
522-5147-3S	FC1007	100 sq. ft.	PH2150-3R	1.5	115	65	3 ft. Twist-Lock	1,276.73
522-5157-3S	FC1257	125 sq. ft.	PH2150-3R	1.5	115	66	3 ft. Twist-Lock	1,436.88
522-5167-3S	FC1507	150 sq. ft.	PH2150-3R	1.5	115	70	3 ft. Twist-Lock	1,524.93
522-5187-3S	FC2007	200 sq. ft.	PH2150-3R	1.5	115	--	3 ft. Twist-Lock	1,634.18
522-5107-6S	FC0757	75 sq. ft.	PH2100-6R	1.0	115	66	3 ft. NEMA	1,160.24
522-5127-6S	FC1007	100 sq. ft.	PH2100-6R	1.0	115	66	3 ft. NEMA	1,337.65
522-5147-6S	FC1007	100 sq. ft.	PH2150-6R	1.5	115	66	3 ft. NEMA	1,349.46
522-5157-6S	FC1257	125 sq. ft.	PH2150-6R	1.5	115	--	3 ft. NEMA	1,436.88
522-5167-6S	FC1507	150 sq. ft.	PH2150-6R	1.5	115	71	3 ft. NEMA	1,524.93
522-5187-6S	FC2007	200 sq. ft.	PH2150-6R	1.5	115	62	3 ft. NEMA	1,634.56

INCLUDES:

- 2 hoses (1 1/2" x 6 ft.)
- Filter/ Pump Union Adapter, hose fittings and hose clamps
- 3 ft. cord Twist-Lock plug (NEC/UL), or 3 ft. cord NEMA plug
- One-piece system base

ClearWater II Cartridge Standard System (without Hi-Flo II Pump)

Part No.	Filter	Filtration Area	Weight (lbs.)	List (US \$)
520-5107	FC0757	75 sq. ft.	--	739.43
520-5127	FC1007	100 sq. ft.	38	849.03
520-5157	FC1257	125 sq. ft.	42	997.15
520-5167	FC1507	150 sq. ft.	43	1,132.05
520-5187	FC2007	200 sq. ft.	43	1,142.69

INCLUDES:

- 2 hoses (1 1/2" x 6 ft.)
- Filter/ Pump Union Adapter, hose fittings and hose clamps
- One-piece system base

All power cords are 3' in length.



Pool Filters - In-Ground & Above Ground / ProClean Plus

FEATURES:

- NSF Listed
- 2" FPT inlet and 2" or 2 1/2" S outlets for more flow
- Raised inlet for clean easy plumbing
- Waterway's Safety Lock Ring System for fast, easy access to filter internals
- Lid lock-ring handle makes removing the lid easy and safe
- Internal design for more dirt holding capacity for longer cleaning cycles
- Drain plug is 1"

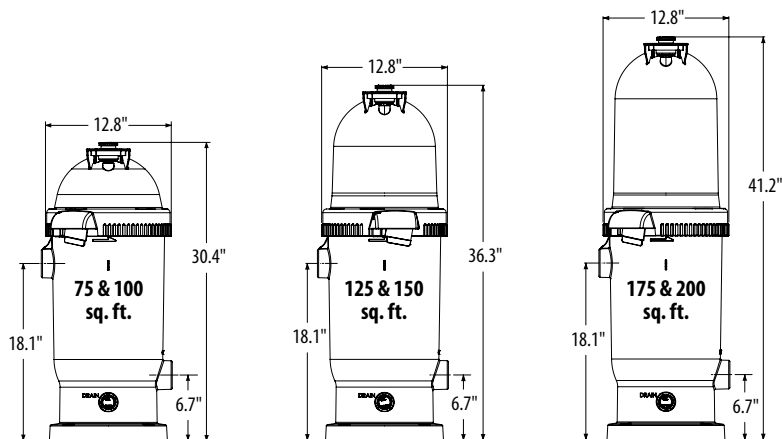
Designed for in-ground installations, the ProClean Plus Cartridge Filter has a raised inlet for clean easy plumbing from the pump. Molded of ABS thermoplastic, the ProClean Plus Cartridge Filter will provide years of dependable service.



With 1" Threaded Drain Port!

Easy access in-ground cartridge internals
 Raised 18" Inlet for clean 90° plumbing from pump
 Lock-Ring has handles for easy removal of lid

For replacement parts, see page 314.
 For equipment bases, see page 55.



ProClean Plus Single Cartridge Filters

Part No.	Size	Flow Rate	Pool Turnover (6 hrs.)	Pool Turnover (8 hrs.)	Weight (lbs.)	List (US \$)
PCCF-075	75 sq. ft.	75 GPM	27,000	36,000	21	596.57
PCCF-100	100 sq. ft.	100 GPM	36,000	48,000	24	717.56
PCCF-125	125 sq. ft.	125 GPM	45,000	60,000	24	878.28
PCCF-150	150 sq. ft.	125 GPM	45,000	60,000	25	1,019.13
PCCF-175	175 sq. ft.	125 GPM	45,000	60,000	28	1,144.55
PCCF-200*	200 sq. ft.	125 GPM	45,000	60,000	28	1,266.77

*Ideal for longer cleaning cycles



PROPACK

FEATURES:

- 200 sq. ft. cartridge filter with drain plug
- SMF or Champion Pump - Single and Dual Speed Available (not included)
- Equipment pad
- Dual speed pump meets CEC Title 20 Code - Effective January 1, 2008
- Unionized Pump/Filter Sweep connector included



Add an SMF or Champion Pump to complete your ProPack!



Filters / Filter Systems

ProClean Plus Single Cartridge Filter System - ProPack (without SMF or Champion Pump)

Part No.	Description	Weight (lbs.)	List (US \$)
520-7500-0	200 sq. ft. Single Cartridge System with Base and Fittings Package	43	1,482.31

Use with SMF & Champion Pumps:
DO NOT exceed 2 HP for 200 sq ft. Single Cartridge Filter
 See page 16 for SMF or 15 for Champion Pump choices.



Pool Filters - Above Ground / ProClean Plus - Single Cartridge 2-Speed System

FEATURES:

- Raised inlet for clean easy plumbing
- Top-mounted pressure gauge for easy reading
- Extra-large air relief
- Dual speed pump meets CEC Title 20 Code - Effective January 1, 2008



This system is our ProClean Plus in-ground pool filter with Waterway's above ground Hi-Flo II or Supreme Pump for an exceptional above ground system.

ProClean Plus Single Cartridge Systems - Hi-Flo II Pump - 2-Speed

Part No.	Filter	Filtration Area	Pump	HP	Weight (lbs.)	List (US \$)
522-6000-6S	PCCF-075	75 sq. ft.	PH2100-6	1.0	--	1,181.35
522-6100-6S	PCCF-100	100 sq. ft.	PH2100-6	1.0	--	1,335.57
522-6115-6S	PCCF-100	100 sq. ft.	PH2150-6	1.5	--	1,553.90
522-6215-6S	PCCF-125	125 sq. ft.	PH2150-6	1.5	66	1,624.62
522-6315-6S	PCCF-150	150 sq. ft.	PH2150-6	1.5	74	1,695.01
522-6415-6S	PCCF-175	175 sq. ft.	PH2150-6	1.5	--	1,872.77
522-6515-6S	PCCF-200	200 sq. ft.	PH2150-6	1.5	--	1,957.54
522-6520-6S	PCCF-200	200 sq. ft.	PH2200-6	2.0	--	2,121.34

ProClean Plus Single Cartridge Systems - Supreme Pump - 2-Speed

Part No.	Filter	Filtration Area	Pump	HP	Weight (lbs.)	List (US \$)
FPS07510-6	PCCF-075	75 sq. ft.	PSP2100-6	1.0	--	1,292.54
FPS10010-6	PCCF-100	100 sq. ft.	PSP2100-6	1.0	--	1,462.30
FPS10015-6	PCCF-100	100 sq. ft.	PSP2150-6	1.5	--	1,672.43
FPS12515-6	PCCF-125	125 sq. ft.	PSP2150-6	1.5	--	1,748.51
FPS15015-6	PCCF-150	150 sq. ft.	PSP2150-6	1.5	--	1,824.51
FPS17515-6	PCCF-175	175 sq. ft.	PSP2150-6	1.5	--	2,077.01
FPS20015-6	PCCF-200	200 sq. ft.	PSP2150-6	1.5	--	2,171.50
FPS20020-6	PCCF-200	200 sq. ft.	PSP2200-6	2.0	--	2,284.82



FEATURES:

- Raised inlet for clean easy plumbing
- Top-mounted pressure gauge for easy reading
- Extra-large air relief



This system is our ProClean Plus in-ground pool filter with Waterway's above ground Hi-Flo II or Supreme Pump for an exceptional above ground system.

ProClean Plus Single Cartridge System with Hi-Flo II Pump

Part No.	Filter	Filtration Area	Pump	HP	Weight (lbs.)	List (US \$)
520-6000-6S	PCCF-075	75 sq. ft.	PH1100-6	1.0	--	1,106.33
520-6100-6S	PCCF-100	100 sq. ft.	PH1100-6	1.0	--	1,260.57
520-6115-6S	PCCF-100	100 sq. ft.	PH1150-6	1.5	--	1,475.12
520-6215-6S	PCCF-125	125 sq. ft.	PH1150-6	1.5	--	1,545.50
520-6315-6S	PCCF-150	150 sq. ft.	PH1150-6	1.5	66	1,615.89
520-6415-6S	PCCF-175	175 sq. ft.	PH1150-6	1.5	--	1,810.84
520-6515-6S	PCCF-200	200 sq. ft.	PH1150-6	1.5	--	1,937.14
520-6520-6S	PCCF-200	200 sq. ft.	PH1200-6	2.0	--	2,034.01

ProClean Plus Single Cartridge System with Supreme Pump

Part No.	Filter	Filtration Area	Pump	HP	Weight (lbs.)	List (US \$)
FPS07510-6S	PCCF-075	75 sq. ft.	PSP1100-6	1.0	--	1,217.82
FPS10010-6S	PCCF-100	100 sq. ft.	PSP1100-6	1.0	--	1,387.56
FPS10015-6S	PCCF-100	100 sq. ft.	PSP1150-6	1.5	--	1,593.70
FPS12515-6S	PCCF-125	125 sq. ft.	PSP1150-6	1.5	--	1,669.75
FPS15015-6S	PCCF-150	150 sq. ft.	PSP1150-6	1.5	--	1,745.79
FPS17515-6S	PCCF-175	175 sq. ft.	PSP1150-6	1.5	--	1,956.39
FPS20015-6S	PCCF-200	200 sq. ft.	PSP1150-6	1.5	--	2,112.93
FPS20020-6S	PCCF-200	200 sq. ft.	PSP1200-6	2.0	--	2,197.53



Pool Filters / TWM-30 Series Systems

FEATURES:

- 25 sq. ft. cartridge filter
- 1/8 HP high performance pump with trap
- 3 ft. NEMA cord
- 30 GPM flow rate
- Two 3 ft. x 1 1/2" hoses with connectors
- Equipment pad
- Includes InTex connection fittings



InTex Connection Fittings



TWM-30 Above Ground Cartridge Filter System

Part No.	Description	Flow Rate	Turnover (24 hrs.)	Weight (lbs.)	Cord	List (US \$)
520-4070	25 sq. ft. Filter - 1/8 HP Pump	1800 GPH	43,200 gals.	30	3 ft. NEMA	522.27
520-4070LT	25 sq. ft. Filter - 1/8 HP Pump - without Trap	1800 GPH	43,200 gals.	28	3 ft. NEMA	448.97
400-6437	InTex Connection Fittings	--	--	--	--	24.84

FEATURES:

- 16 in. sand filter
- 1/2 HP high performance pump with trap
- 3 ft. NEMA cord
- Two 6 ft. x 1 1/2" hoses with connectors
- Equipment pad
- Includes InTex connection fittings



InTex Connection Fittings



TWM-30-S Sand Filter System

Part No.	Description	Flow Rate	Turnover (24 hrs.)	Weight (lbs.)	Cord	List (US \$)
520-1601	16in. Filter - 1/2 HP Pump	1800 GPH	43,200 gals.	56	3 ft. NEMA	670.62
520-1601LT	16in. Filter - 1/2 HP Pump - without Trap	1800 GPH	43,200 gals.	56	3 ft. NEMA	581.66



FEATURES:

- 25, 50 or 100 sq. ft. cartridge filter with drain plug
- Center discharge pool pump - Single and Dual Speed
- 3 ft. NEMA (3-prong, grounded) cord, or 3 ft. Twist-Lock cord
- Two 6 ft. x 1 1/2" hoses with connectors
- Equipment pad
- Optional trap: 1 1/2" Union Nut, 1 1/2" FPT
- Dual speed pump meets CEC Title 20 Code - Effective January 1, 2008



For replacement parts, see page 315.

The economical solution for filtering an above ground pool. Waterway's TWM (Total Water Management) package includes the pump, filter, hoses, and equipment pad.

TWM Cartridge Filter Equipment Packages

Part No.	Description	HP	Volts	Weight (lbs.)	Cord	List (US \$)
522-3040	25 sq. ft. Filter - 2-Speed Pump	1.0	115	--	3 ft. NEMA	750.72
522-3010	50 sq. ft. Filter - 2-Speed Pump	1.0	115	40	3 ft. NEMA	857.64
522-3030	100 sq. ft. Filter - 2-Speed Pump	1.0	115	--	3 ft. NEMA	984.22
522-4040	25 sq. ft. Filter - 2-Speed Pump with Trap	1.0	115	--	3 ft. NEMA	904.05
522-4010	50 sq. ft. Filter - 2-Speed Pump with Trap	1.0	115	36	3 ft. NEMA	940.34
522-4030	100 sq. ft. Filter - 2-Speed Pump with Trap	1.0	115	--	3 ft. NEMA	1,066.07
522-2980	25 sq. ft. Filter - 2-Speed Pump	1.0	115	34	3 ft. Twist-Lock	750.57
522-4020	50 sq. ft. Filter - 2-Speed Pump with Trap	1.5	115	36	3 ft. Twist-Lock	786.86
520-3040	25 sq. ft. Filter - 1-Speed Pump	1.0	115	32	3 ft. NEMA	556.28
520-3010	50 sq. ft. Filter - 1-Speed Pump	1.0	115	32	3 ft. NEMA	565.68
520-3030	100 sq. ft. Filter - 1-Speed Pump	1.0	115	32	3 ft. NEMA	619.45
520-4040	25 sq. ft. Filter - 1-Speed Pump with Trap	1.0	115	36	3 ft. NEMA	618.74
520-4010	50 sq. ft. Filter - 1-Speed Pump with Trap	1.0	115	36	3 ft. NEMA	659.18

All power cords are 3' in length.

FEATURES:

- Gate valve action
- 1 1/2" buttress union on one side and 1 1/2" smooth hose on the other
- 3/8" barbed fitting to accommodate offline chlorinators
- Internals are all corrosion-resistant plastics



417-4161



WV001H

Designed to isolate the above-ground pool system to aid in maintenance and service, No-Flo gate-style valves install easily. The valve features a 3/8" barbed fitting to accommodate an offline chlorinator.

No-Flo Gate Valves

Part No.	Description	Case Weight	Case Quantity	List (US \$)
WV001H	Gate Valve with 1 1/2" Union x 1 1/2" Hose Adapter	29	35	32.70
417-4161	Union Tailpiece - 1 1/2" NPT x 1 1/2" (Black)	16	100	5.39
805-0224	O-Ring for 1 1/2" Heater Union Tailpiece (417-4161)	--	100	0.62
711-4000	1 1/2" Union Gasket	6	500	0.64



Pool Filters - In-Ground & Above Ground / Carefree Top-Mount - Sand

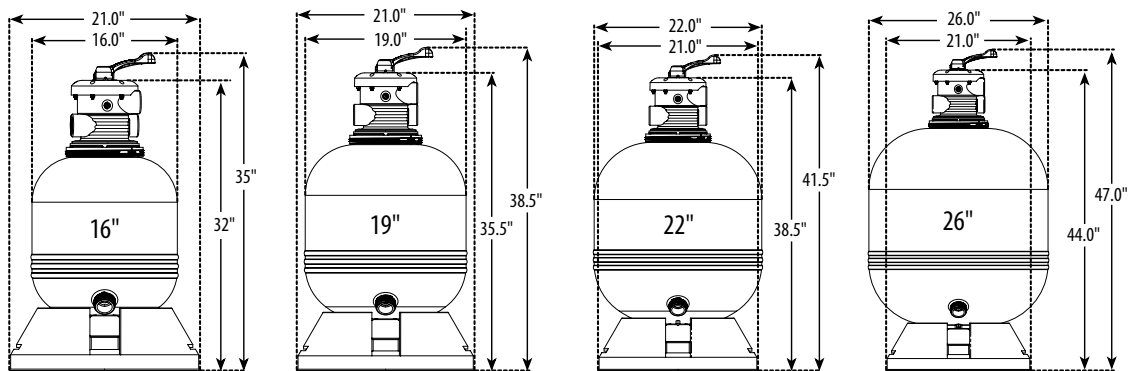
FEATURES:

- Large filter with extra sand-holding capacity
- Durable roto-molded oval tank body distributes pressure evenly, resulting in greater strength and longer life of the filter
- One-piece corrosion proof body
- High Flow internal diffuser for even water distribution
- 7- function Top-Mount 1 1/2" FPT Multi-Port Valve with Split-Nut Lock Union (WVS003)
- 1 1/2" drain port
- Mounting base included



For replacement parts, see page 320.
For equipment bases, see page 55.

Carefree Top-Mount Sand Filters are designed for extra sand holding capacity. Made of corrosion-proof polymeric thermoplastic. The Carefree Sand Filter offers the ideal combination of high performance and excellent water clarity. This filter is an excellent choice for above ground or in-ground pools.



Sand Required

16" - 100 lbs.

19" - 150 lbs.

22" - 250 lbs.

26" - 400 lbs.

Carefree Top-Mount Sand Filters

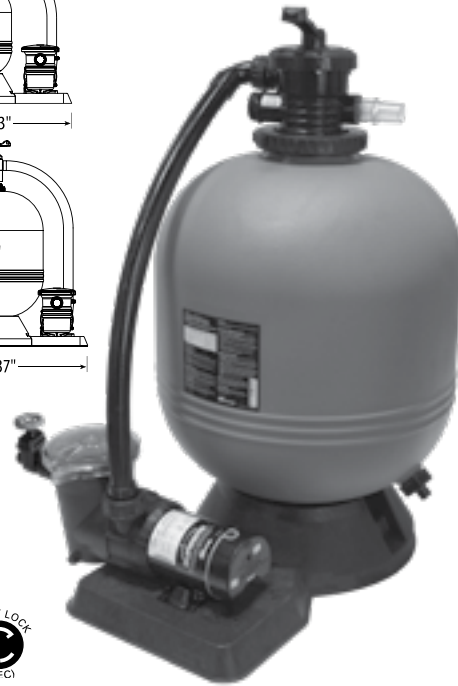
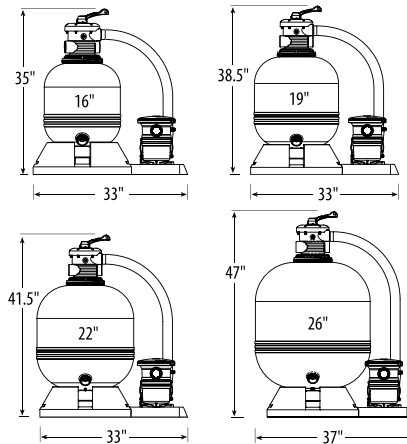
Part No.	Description	Multi-Port Valve Style	Filtration Area	Flow Rate	Pool Turnover (6-8-10 hrs.)	Weight (lbs.)	List (US \$)
FS016197	16" diameter Filter w/Modular Base	1 1/2" FPT Split-Nut	1.4 sq. ft.	35 GPM	12,600 - 16,800 - 21,000	34	600.97
FS019227	19" diameter Filter w/Modular Base	1 1/2" FPT Split-Nut	2.0 sq. ft.	45 GPM	16,200 - 21,600 - 27,000	43	705.28
FS022257	22" diameter Filter w/Modular Base	1 1/2" FPT Split-Nut	2.6 sq. ft.	55 GPM	19,800 - 26,400 - 33,000	54	835.14
FS026297	26" diameter Filter w/Modular Base	1 1/2" FPT Split-Nut	3.5 sq. ft.	70 GPM	25,200 - 33,600 - 42,000	71	972.72

Pool Filters - Above Ground / Carefree Top-Mount - Sand Deluxe System



FEATURES:

- Large filter with extra sand-holding capacity
- Top-of-the-line Supreme High Performance Single and Dual Speed Pump
- Extra large 7" pump trap with clear lid
- Union connection on multi-port for easy installation
- Unionized gate valve to isolate the system for maintenance
- Two 1 1/2" diameter hoses with clamps
- Filter and pump mounting bases
- Fittings package for all connections
- Accessory base allows for addition of optional timer and/or Chlorinator kits for minimal maintenance (sold separately)
- Dual speed pump meets CEC Title 20 Code - Effective January 1, 2008



Carefree Sand Filter Systems are designed with the ideal combination of high performance and excellent water clarity. The Carefree Sand Filter and Pump Pack System provides everything needed for an above ground pool package.

Filters / Filter Systems



Carefree Sand Deluxe System with Supreme 1-Speed Pump

Part No.	Filter	Diameter	Filtration Area	Flow Rate	Pump	HP	Weight (lbs.)	Cord	List (US \$)
FSS0169107-3S	FS01619	16"	1.4 sq. ft.	35 GPM	PSP1100-3	1.0	72	3 ft. TL	1,011.47
FSS0199107-3S	FS01922	19"	2.0 sq. ft.	45 GPM	PSP1100-3	1.0	83	3 ft. TL	1,072.94
FSS0229157-3S	FS02225	22"	2.6 sq. ft.	55 GPM	PSP1150-3	1.5	91	3 ft. TL	1,206.43
FSS0269157-3S	FS02629	26"	3.5 sq. ft.	70 GPM	PSP1150-3	1.5	--	3 ft. TL	1,342.37
FSS0169107-6S	FS01619	16"	1.4 sq. ft.	35 GPM	PSP1100-6	1.0	72	3 ft. NEMA	1,011.47
FSS0199107-6S	FS01922	19"	2.0 sq. ft.	45 GPM	PSP1100-6	1.0	83	3 ft. NEMA	1,072.94
FSS0229157-6S	FS02225	22"	2.6 sq. ft.	55 GPM	PSP1150-6	1.5	91	3 ft. NEMA	1,206.43
FSS0269157-6S	FS02629	26"	3.5 sq. ft.	70 GPM	PSP1150-6	1.5	--	3 ft. NEMA	1,343.67

INCLUDES:

- 2 hoses (1 1/2" x 6 ft.)
- Filter / Pump Hose with Union Adapters, hose fittings and hose clamps
- 3 ft. cord Twist-Lock plug (NEC/UL), or 3 ft. cord NEMA plug
- Deluxe modular filter and pump bases
- Unionized gate valve to isolate the system for maintenance

Carefree Sand Deluxe System with Supreme 2-Speed Pump

Part No.	Filter	Diameter	Filtration Area	Flow Rate	Pump	HP	Weight (lbs.)	Cord	List (US \$)
FSS0169107-3	FS01619	16"	1.4 sq. ft.	35 GPM	PSP2100-3	1.0	--	3 ft. TL	1,130.59
FSS0199107-3	FS01922	19"	2.0 sq. ft.	45 GPM	PSP2100-3	1.0	83	3 ft. TL	1,191.67
FSS0229157-3	FS02225	22"	2.6 sq. ft.	55 GPM	PSP2150-3	1.5	91	3 ft. TL	1,360.93
FSS0269157-3	FS02629	26"	3.5 sq. ft.	70 GPM	PSP2150-3	1.5	--	3 ft. TL	1,484.87
FSS0169107-6	FS01619	16"	1.4 sq. ft.	35 GPM	PSP2100-6	1.0	--	3 ft. NEMA	1,130.58
FSS0199107-6	FS01922	19"	2.0 sq. ft.	45 GPM	PSP2100-6	1.0	83	3 ft. NEMA	1,191.66
FSS0229157-6	FS02225	22"	2.6 sq. ft.	55 GPM	PSP2150-6	1.5	91	3 ft. NEMA	1,360.93
FSS0269157-6	FS02629	26"	3.5 sq. ft.	70 GPM	PSP2150-6	1.5	--	3 ft. NEMA	1,484.88

INCLUDES:

- 2 hoses (1 1/2" x 6 ft.)
- Filter / Pump Hose with Union Adapters, hose fittings and hose clamps
- 3 ft. cord Twist-Lock plug (NEC/UL), or 3 ft. cord NEMA plug
- Deluxe modular filter and pump bases
- Unionized gate valve to isolate the system for maintenance

Carefree Sand Deluxe System (without Supreme Pump)

Part No.	Filter	Diameter	Filtration Area	Flow Rate	Weight (lbs.)	List (US \$)
FSS0169S7	FS01619	16"	1.4 sq. ft.	35 GPM	--	564.51
FSS0199S7	FS01922	19"	2.0 sq. ft.	45 GPM	--	653.87
FSS0229S7	FS02225	22"	2.6 sq. ft.	55 GPM	--	836.42
FSS0269S7	FS02629	26"	3.5 sq. ft.	70 GPM	--	1,034.43

INCLUDES:

- 2 hoses (1 1/2" x 6 ft.)
- Filter / Pump Hose with Union Adapters, hose fittings and hose clamps
- Deluxe modular filter and pump bases
- Unionized gate valve to isolate the system for maintenance

All power cords are 3' in length.



Pool Filters - Above Ground / Carefree Top-Mount - Sand Standard System

Carefree Sand Filter Systems are designed with the ideal combination of high performance and excellent water clarity. The Carefree Sand Filter and Pump Pack System provides everything needed for an above ground pool package.

FEATURES:

- Large filter with extra sand-holding capacity
- Hi-Flo II High Performance Single and Dual Speed Pump
- Large 6" pump trap with 2-piece lid
- Standard pump and filter base
- Fittings package for all connections
- Dual speed pump meets CEC Title 20 Code - Effective January 1, 2008



INCLUDES:

- 2 hoses (1 1/2" x 6 ft.)
- Filter / Pump Hose with Union Adapters, hose fittings and hose clamps
- 3 ft. cord Twist-Lock plug (NEC/UL), or 3 ft. cord NEMA plug
- Standard system base

Carefree Sand Standard System with Hi-Flo II 1-Speed Pump

Part No.	Filter	Diameter	Filtration Area	Flow Rate	Pump	HP	Weight (lbs.)	Cord	List (US \$)
520-5300-3S	FS01619	16"	1.4 sq. ft.	35 GPM	PH1100-3	1.0	65	3 ft. TL	928.55
520-5320-3S	FS01922	19"	2.0 sq. ft.	45 GPM	PH1100-3	1.0	74	3 ft. TL	989.99
520-5330-3S	FS01922	19"	2.0 sq. ft.	45 GPM	PH1150-3	1.5	--	3 ft. TL	1,012.25
520-5350-3S	FS02225	22"	2.6 sq. ft.	55 GPM	PH1100-3	1.0	80	3 ft. TL	1,014.10
520-5340-3S	FS02225	22"	2.6 sq. ft.	55 GPM	PH1150-3	1.5	80	3 ft. TL	1,158.60
520-5300-6S	FS01619	16"	1.4 sq. ft.	35 GPM	PH1100-6	1.0	61	3 ft. NEMA	928.55
520-5320-6S	FS01922	19"	2.0 sq. ft.	45 GPM	PH1100-6	1.0	74	3 ft. NEMA	989.99
520-5330-6S	FS01922	19"	2.0 sq. ft.	45 GPM	PH1150-6	1.5	74	3 ft. NEMA	1,012.25
520-5350-6S	FS02225	22"	2.6 sq. ft.	55 GPM	PH1100-6	1.0	80	3 ft. NEMA	1,014.10
520-5340-6S	FS02225	22"	2.6 sq. ft.	55 GPM	PH1150-6	1.5	80	3 ft. NEMA	1,158.60
520-5360-6S	FS02629	26"	3.5 sq. ft.	70 GPM	PH1150-6	1.5	103	3 ft. NEMA	1,360.74

INCLUDES:

- 2 hoses (1 1/2" x 6 ft.)
- Filter / Pump Hose with Union Adapters, hose fittings and hose clamps
- 3 ft. cord Twist-Lock plug (NEC/UL), or 3 ft. cord NEMA plug
- Standard system base

Carefree Sand Standard System with Hi-Flo II 2-Speed Pump

Part No.	Filter	Diameter	Filtration Area	Flow Rate	Pump	HP	Weight (lbs.)	Cord	List (US \$)
522-5300-3S	FS01619	16"	1.4 sq. ft.	35 GPM	PH2100-3	1.0	--	3 ft. TL	1,050.99
522-5320-3S	FS01922	19"	2.0 sq. ft.	45 GPM	PH2100-3	1.0	--	3 ft. TL	1,118.73
522-5330-3S	FS01922	19"	2.0 sq. ft.	45 GPM	PH2150-3	1.5	--	3 ft. TL	1,130.40
522-5350-3S	FS02225	22"	2.6 sq. ft.	55 GPM	PH2100-3	1.0	87	3 ft. TL	1,240.43
522-5340-3S	FS02225	22"	2.6 sq. ft.	55 GPM	PH2150-3	1.5	--	3 ft. TL	1,276.73
522-5300-6S	FS01619	16"	1.4 sq. ft.	35 GPM	PH2100-6	1.0	66	3 ft. NEMA	1,056.70
522-5320-6S	FS01922	19"	2.0 sq. ft.	45 GPM	PH2100-6	1.0	75	3 ft. NEMA	1,120.85
522-5330-6S	FS01922	19"	2.0 sq. ft.	45 GPM	PH2150-6	1.5	74	3 ft. NEMA	1,130.40
522-5350-6S	FS02225	22"	2.6 sq. ft.	55 GPM	PH2100-6	1.0	87	3 ft. NEMA	1,240.43
522-5340-6S	FS02225	22"	2.6 sq. ft.	55 GPM	PH2150-6	1.5	87	3 ft. NEMA	1,276.73

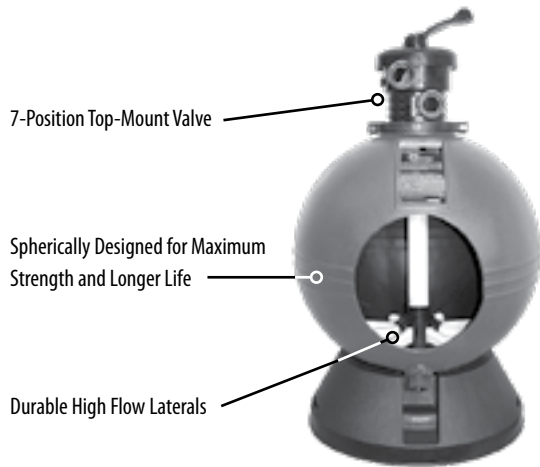


FEATURES:

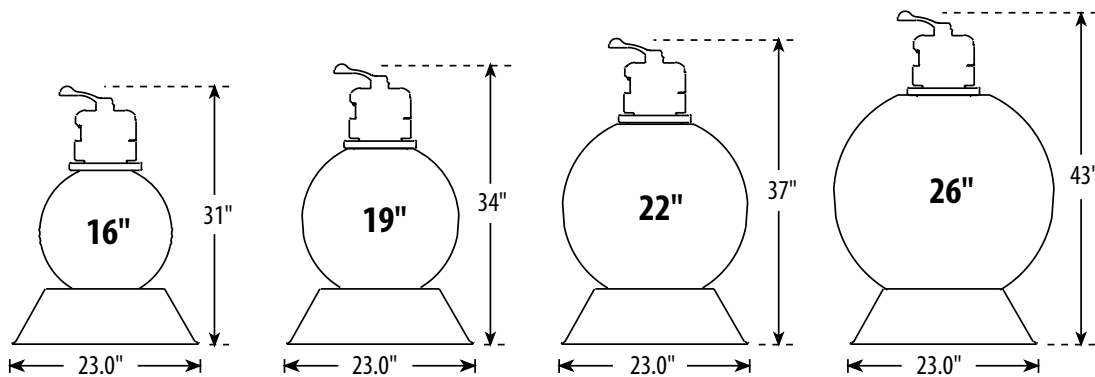
- Durable roto-molded tank body is spherical to evenly distribute pressure, resulting in greater strength and longer life of the filter
- Corrosion-proof body
- High Flow internal diffuser for even water distribution
- 7-function Top-Mount 1 1/2" FPT Multi-Port Valve with Split-Nut Lock Union
- 1 1/2" drain port
- Mounting base included



Rugged, corrosion proof, high filtration area, and one-piece body. The ClearWater Sand filter features a seven-function top mount valve for maximum control over the filter system, and full flow, self cleaning laterals with large surface area for maximum flow. This filter is an excellent choice for above ground or in-ground pools.



For replacement parts, see page 322.
For equipment bases, see page 55.



Sand Required

16" - 50 lbs.

19" - 100 lbs.

22" - 150 lbs.

26" - 200 lbs.

ClearWater Sand Filter

Part No.	Description	Filtration Area	Flow Rate	Pool Turnover (6 hrs.)	Pool Turnover (8 hrs.)	Weight (lbs.)	List (US \$)
FS016	16" diameter Filter	1.4 sq. ft.	35 GPM	12,600	16,800	25	498.97
FS019	19" diameter Filter	2.0 sq. ft.	45 GPM	16,200	21,600	28	652.51
FS022	22" diameter Filter	2.6 sq. ft.	55 GPM	19,800	26,400	34	755.54
FS026	26" diameter Filter	3.5 sq. ft.	70 GPM	25,200	33,600	43	875.74

1 1/2" FPT split-nut style clamp included.



Pool Filters - Above Ground / ClearWater - Sand Deluxe 2-Speed System

FEATURES:

- Large filtration sand filter with durable, high flow laterals
- Top-of-the-Line Supreme High Performance Dual Speed Pump
- Extra large 7" pump trap with clear lid
- Union connection on multi-port for easy installation
- Unionized gate valve to isolate the system for maintenance
- Two 1 1/2" diameter hoses with clamps
- Filter and pump mounting base
- Fittings package for all connections
- Accessory base allows for addition of optional timer and/or chlorinator kits for minimal maintenance (sold separately)
- Dual speed pump meets CEC Title 20 Code - Effective January 1, 2008



Complete the Sand filtration system with the high performance Waterway Supreme Pump and accessories. The Sand Filter and Pump Pack provides homeowners with everything they need to get their system up and running. It assures them of matched components and optimal performance with years of dependable service.

INCLUDES:

- 2 hoses (1 1/2" x 6 ft.)
- Filter / Pump Hose with Union Adapters, hose fittings and hose clamps
- 3 ft. cord Twist-Lock plug (NEC/UL), or 3 ft. cord NEMA plug
- Deluxe modular filter and pump base
- Unionized gate valve to isolate the system for maintenance
- Accessory base for optional timer and/or chlorinator

INCLUDES:

- 2 hoses (1 1/2" x 6 ft.)
- Filter / Pump Hose with Union Adapters, hose fittings and hose clamps
- Deluxe modular filter and pump base
- Unionized gate valve to isolate the system for maintenance
- Accessory base for optional timer and/or chlorinator

ClearWater Sand Deluxe System with Supreme 2-Speed Pump

Part No.	Filter	Diameter	Filtration Area	Flow Rate	Pump	HP	Weight (lbs.)	Cord	List (US \$)
FSS01910-3	FS019	19"	2.0 sq. ft.	45 GPM	PSP2100-3	1.0	61	3 ft. Twist-Lock	1,301.10
FSS01915-3	FS019	19"	2.0 sq. ft.	45 GPM	PSP2150-3	1.5	64	3 ft. Twist-Lock	1,148.98
FSS02210-3	FS022	22"	2.6 sq. ft.	55 GPM	PSP2100-3	1.0	67	3 ft. Twist-Lock	1,438.20
FSS02215-3	FS022	22"	2.6 sq. ft.	55 GPM	PSP2150-3	1.5	70	3 ft. Twist-Lock	1,449.07
FSS02615-3	FS026	26"	3.5 sq. ft.	70 GPM	PSP2150-3	1.5	77	3 ft. Twist-Lock	1,568.98
FSS01910-6	FS019	19"	2.0 sq. ft.	45 GPM	PSP2100-6	1.0	60	3 ft. NEMA	1,301.10
FSS01915-6	FS019	19"	2.0 sq. ft.	45 GPM	PSP2150-6	1.5	63	3 ft. NEMA	1,420.80
FSS02210-6	FS022	22"	2.6 sq. ft.	55 GPM	PSP2100-6	1.0	67	3 ft. NEMA	1,438.20
FSS02215-6	FS022	22"	2.6 sq. ft.	55 GPM	PSP2150-6	1.5	74	3 ft. NEMA	1,262.46
FSS02615-6	FS026	26"	3.5 sq. ft.	70 GPM	PSP2150-6	1.5	--	3 ft. NEMA	1,568.98

ClearWater Sand Deluxe System (without Supreme Pump)

Part No.	Filter	Diameter	Filtration Area	Flow Rate	Weight (lbs.)	List (US \$)
FSS019S	FS019	19"	2.0 sq. ft.	45 GPM	38	735.73
FSS022S	FS022	22"	2.6 sq. ft.	55 GPM	37	841.88
FSS026S	FS026	26"	3.5 sq. ft.	70 GPM	68	970.63

All power cords are 3' in length.

Pool Filters - Above Ground / ClearWater - Sand Deluxe 1-Speed System



FEATURES:

- Large filtration sand filter with durable, high flow laterals
- Top-of-the-Line Supreme High Performance Pump
- Extra large 7" pump trap with clear lid
- Union connection on multi-port for easy installation
- Unionized gate valve to isolate the system for maintenance
- Two 1 1/2" diameter hoses with clamps
- Filter and pump mounting bases
- Fittings package for all connections
- Accessory base allows for addition of optional timer and/or Chlorinator kits for minimal maintenance (*sold separately*)



Complete the Sand filtration system with the high performance Waterway Supreme Pump and accessories. The Sand Filter and Pump Pack provides homeowners with everything they need to get their system up and running. It assures them of matched components and optimal performance with years of dependable service.

Filters / Filter Systems

ClearWater Sand Deluxe System with Supreme 1-Speed Pump

Part No.	Filter	Diameter	Filtration Area	Flow Rate	Pump	HP	Weight (lbs.)	Cord	List (US \$)
FSS01910-3S	FS019	19"	2.0 sq. ft.	45 GPM	PSP1100-3	1.0	60	3 ft. Twist-Lock	979.65
FSS01915-3S	FS019	19"	2.0 sq. ft.	45 GPM	PSP1150-3	1.5	64	3 ft. Twist-Lock	1,029.61
FSS02210-3S	FS022	22"	2.6 sq. ft.	55 GPM	PSP1100-3	1.0	67	3 ft. Twist-Lock	1,229.67
FSS02215-3S	FS022	22"	2.6 sq. ft.	55 GPM	PSP1150-3	1.5	70	3 ft. Twist-Lock	1,107.97
FSS02615-3S	FS026	26"	3.5 sq. ft.	70 GPM	PSP1150-3	1.5	77	3 ft. Twist-Lock	1,234.87
FSS01910-6S	FS019	19"	2.0 sq. ft.	45 GPM	PSP1100-6	1.0	60	3 ft. NEMA	979.65
FSS01915-6S	FS019	19"	2.0 sq. ft.	45 GPM	PSP1150-6	1.5	63	3 ft. NEMA	1,255.19
FSS02210-6S	FS022	22"	2.6 sq. ft.	55 GPM	PSP1100-6	1.0	66	3 ft. NEMA	1,058.02
FSS02215-6S	FS022	22"	2.6 sq. ft.	55 GPM	PSP1150-6	1.5	68	3 ft. NEMA	1,107.97
FSS02615-6S	FS026	26"	3.5 sq. ft.	70 GPM	PSP1150-6	1.5	77	3 ft. NEMA	1,413.46

INCLUDES:

- 2 hoses (1 1/2" x 6 ft.)
- Filter / Pump Hose with Union Adapters, hose fittings and hose clamps
- 3 ft. cord Twist-Lock plug (NEC/UL), or 3 ft. cord NEMA plug
- Deluxe modular filter and pump base
- Unionized gate valve to isolate the system for maintenance

ClearWater Sand Deluxe System (without Supreme Pump)

Part No.	Filter	Diameter	Filtration Area	Flow Rate	Weight (lbs.)	List (US \$)
FSS019S	FS019	19"	2.0 sq. ft.	45 GPM	38	735.73
FSS022S	FS022	22"	2.6 sq. ft.	55 GPM	37	841.88
FSS026S	FS026	26"	3.5 sq. ft.	70 GPM	68	970.63

INCLUDES:

- 2 hoses (1 1/2" x 6 ft.)
- Filter / Pump Hose with Union Adapters, hose fittings and hose clamps
- Deluxe modular filter and pump base
- Unionized gate valve to isolate the system for maintenance

All power cords are 3' in length.



Pool Filters - Above Ground / ClearWater - Sand Standard System



Complete the Sand filtration system with the high performance Waterway Hi-Flo II Pump and accessories. The Sand Filter and Pump Pack provides homeowners with everything they need to get their system up and running. It assures them of matched components and optimal performance with years of dependable service.

FEATURES:

- Large filtration sand filter with durable, high flow laterals
- Hi-Flo II High Performance Single and Dual Speed Pump
- Large 6" pump trap with 2-piece lid
- Union connection on multi-port for easy installation
- Two 1 1/2" diameter hoses with clamps
- Dual speed pump meets CEC Title 20 Code - Effective January 1, 2008

INCLUDES:

- 2 hoses (1 1/2" x 6 ft.)
- Filter / Pump Hose with Union Adapters, hose fittings and hose clamps
- 3 ft. cord Twist-Lock plug (NEC/UL), or 3 ft. cord NEMA plug
- Standard system base

ClearWater Sand Standard System with Hi-FloII 1-Speed Pump

Part No.	Filter	Diameter	Filtration Area	Flow Rate	Pump	HP	Weight (lbs.)	Cord	List (US \$)
520-5200-3S	FS016	16"	1.4 sq. ft.	35 GPM	PH1100-3	1.0	59	3 ft. TL	857.23
520-5220-3S	FS019	19"	2.0 sq. ft.	45 GPM	PH1100-3	1.0	67	3 ft. TL	896.73
520-5240-3S	FS022	22"	2.6 sq. ft.	55 GPM	PH1150-3	1.5	71	3 ft. TL	1,060.15
520-5260-3S	FS026	26"	3.5 sq. ft.	70 GPM	PH1150-3	1.5	83	3 ft. TL	1,151.91
520-5200-6S	FS016	16"	1.4 sq. ft.	35 GPM	PH1100-6	1.0	59	3 ft. NEMA	857.23
520-5220-6S	FS019	19"	2.0 sq. ft.	45 GPM	PH1100-6	1.0	64	3 ft. NEMA	896.73
520-5240-6S	FS022	22"	2.6 sq. ft.	55 GPM	PH1150-6	1.5	68	3 ft. NEMA	1,060.15
520-5260-6S	FS026	26"	3.5 sq. ft.	70 GPM	PH1150-6	1.5	77	3 ft. NEMA	1,151.91

INCLUDES:

- 2 hoses (1 1/2" x 6 ft.)
- Filter / Pump Hose with Union Adapters, hose fittings and hose clamps
- 3 ft. cord Twist-Lock plug (NEC/UL), or 3 ft. cord NEMA plug
- Standard system base

ClearWater Sand Standard System with HiHi-FloII 2-Speed Pump

Part No.	Filter	Diameter	Filtration Area	Flow Rate	Pump	HP	Weight (lbs.)	Cord	List (US \$)
522-5200-3S	FS016	16"	1.4 sq. ft.	35 GPM	PH2100-3	1.0	--	3 ft. TL	975.36
522-5220-3S	FS019	19"	2.0 sq. ft.	45 GPM	PH2100-3	1.0	--	3 ft. TL	1,014.86
522-5240-3S	FS022	22"	2.6 sq. ft.	55 GPM	PH2150-3	1.5	73	3 ft. TL	1,178.23
522-5260-3S	FS026	26"	3.5 sq. ft.	70 GPM	PH2150-3	1.5	--	3 ft. TL	1,408.34
522-5200-6S	FS016	16"	1.4 sq. ft.	35 GPM	PH2100-6	1.0	68	3 ft. NEMA	975.36
522-5220-6S	FS019	19"	2.0 sq. ft.	45 GPM	PH2100-6	1.0	69	3 ft. NEMA	1,014.86
522-5240-6S	FS022	22"	2.6 sq. ft.	55 GPM	PH2150-6	1.5	74	3 ft. NEMA	1,180.73
522-5260-6S	FS026	26"	3.5 sq. ft.	70 GPM	PH2150-6	1.5	87	3 ft. NEMA	1,408.34

INCLUDES:

- 2 hoses (1 1/2" x 6 ft.)
- Filter / Pump Hose with Union Adapters, hose fittings and hose clamps
- Standard system base

ClearWater Sand Standard System (without Hi-FloII Pump)

Part No.	Filter	Diameter	Filtration Area	Flow Rate	Weight (lbs.)	List (US \$)
520-5200	FS016	16"	1.4 sq. ft.	35 GPM	34	618.50
520-5220	FS019	19"	2.0 sq. ft.	45 GPM	35	703.39
520-5240	FS022	22"	2.6 sq. ft.	55 GPM	40	793.29
520-5260	FS026	26"	3.5 sq. ft.	70 GPM	--	938.71

Pool Filters - Above Ground / TWM Sand Filter Equipment Packages



FEATURES:

- Filter, pump, hoses and fittings in one box
- Choice of tank and pump sizes
- Spherical tank design evenly distributes pressure and stress resulting in greater strength and longer life
- Corrosion-proof sand filter tank
- 7 position Multi-Port Valve
- Center discharge pump with leaf trap - Single and Dual Speed
- Dual speed pump meets CEC Title 20 Code - Effective January 1, 2008

The economical solution for filtering with a sand filter on an above ground pool. Designed to handle virtually all sizes and conditions, the Waterway TWM Sand Filter systems will provide years of dependable filtration.



For replacement parts, see page 324.

Filters / Filter Systems

TWM Sand Filter Equipment Packages - 1-Speed

Part No.	Description	Filtration	Flow Rate	Turnover (8 - 10 hrs.)	Sand (lbs.)	Cord	List (US \$)
520-1610	16" Sand Filter - 1 HP Center Discharge Pump	1.4 sq. ft.	30 GPM	14,400 - 18,000	50	3 ft. NEMA	788.01
520-1910	19" Sand Filter - 1 HP Center Discharge Pump	2.0 sq. ft.	42 GPM	20,160 - 25,200	100	3 ft. NEMA	829.85
520-1700	22" Sand Filter - 1.5 HP Center Discharge Pump	2.5 sq. ft.	50 GPM	24,000 - 30,000	150	3 ft. NEMA	894.27
520-1610-3	16" Sand Filter - 1 HP Center Discharge Pump	1.4 sq. ft.	30 GPM	14,400 - 18,000	50	3 ft. Twist-Lock	788.01
520-1910-3	19" Sand Filter - 1 HP Center Discharge Pump	2.0 sq. ft.	42 GPM	20,160 - 25,200	100	3 ft. Twist-Lock	829.84
520-1700-3	22" Sand Filter - 1.5 HP Center Discharge Pump	2.5 sq. ft.	50 GPM	24,000 - 30,000	150	3 ft. Twist-Lock	894.27

TWM Sand Filter Equipment Packages - 2-Speed

Part No.	Description	Filtration	Flow Rate	Turnover (8 - 10 hrs.)	Sand(lbs.)	Cord	List (US \$)
522-1610	16" Sand Filter - 1 HP Center Discharge Pump	1.4 sq. ft.	30 GPM	14,400 - 18,000	50	3 ft. NEMA	914.82
522-1910	19" Sand Filter - 1 HP Center Discharge Pump	2.0 sq. ft.	42 GPM	20,160 - 25,200	100	3 ft. NEMA	947.96
522-1700	22" Sand Filter - 1.5 HP Center Discharge Pump	2.5 sq. ft.	50 GPM	24,000 - 30,000	150	3 ft. NEMA	1,003.75
522-1610-3	16" Sand Filter - 1 HP Center Discharge Pump	1.4 sq. ft.	30 GPM	14,400 - 18,000	50	3 ft. Twist-Lock	914.82
522-1910-3	19" Sand Filter - 1 HP Center Discharge Pump	2.0 sq. ft.	42 GPM	20,160 - 25,200	100	3 ft. Twist-Lock	947.96
522-1700-3	22" Sand Filter - 1.5 HP Center Discharge Pump	2.5 sq. ft.	50 GPM	24,000 - 30,000	150	3 ft. Twist-Lock	1,003.75



CSA / CSA Supreme - 48-Frame - Above Ground - Pool Pump

FEATURES:

- 1 ½" union threads / 1 ½" FPT Intake and 2" union threads / 1 ½" FPT discharge
- Weatherproof motor housing
- On / Off Toggle Switch
- Extra large 7" pump trap with clear lid
- 25 ft. cord with 3-prong NEMA (regular) plug

The Supreme Pump is the ultimate in above-ground pool engineering. Designed for today's more demanding applications, the Supreme Pump is ideal for D.E., cartridge or sand filtration systems of all sizes.



For replacement parts, see page 289.

CSA Supreme 48-Frame Above Ground Pool Pumps

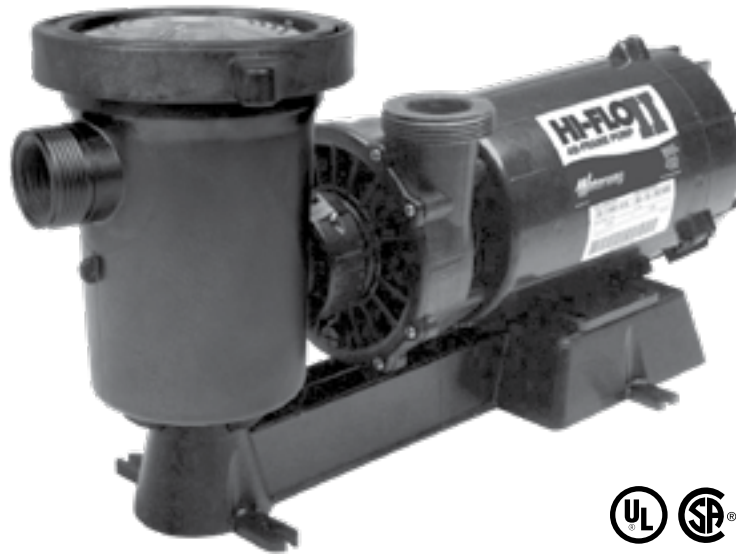
Part No.	Description	Volts	HP	Amps	Weight (lbs.)	List (US \$)
PSPC1075-25	1-Speed - 25 ft. Cord	115	¾	10.3	31	886.56
PSPC1100-25	1-Speed - 25 ft. Cord	115	1.0	10.3	32	899.66
PSPC1150-25	1-Speed - 25 ft. Cord	115	1.5	11.6	37	951.27
PSPC2075-25	2-Speed - 25 ft. Cord	115	¾	8.8 / 2.6	--	1,014.49
PSPC2100-25	2-Speed - 25 ft. Cord	115	1.0	8.8 / 2.6	33	1,027.59
PSPC2150-25	2-Speed - 25 ft. Cord	115	1.5	11.0 / 2.9	36	1,079.18

CSA / CSA Hi-Flo II Side Discharge - 48-Frame - Above Ground - Pool Pump



FEATURES:

- 1 ½" union threads / 1 ½" FPT Intake and 2" union threads / 1 ½" FPT discharge
- Weatherproof Motor housing
- On / Off Toggle Switch
- Large 6" pump trap with 2-piece lid
- 25 ft. cord with 3-prong NEMA (regular) plug

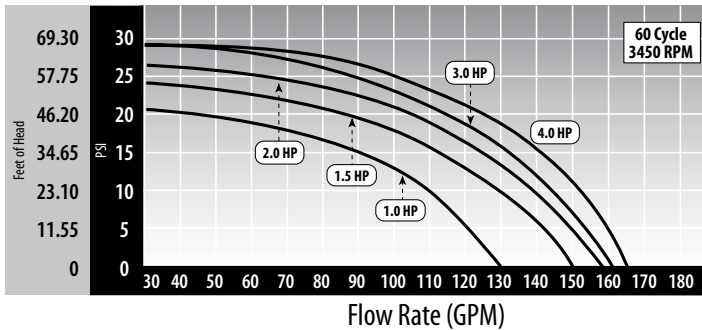


The Hi-Flo II above ground pump was designed for high performance. The Hi-Flo II pump features high flow rate performance for faster filtering cycles. This pump is ideal for new installations or as a replacement pump.



For replacement parts, see page 291.

CSA Pumps & Filter Systems



CSA Hi-Flo II Side Discharge 48-Frame Above Ground Pool Pumps

Part No.	Description	Volts	HP	Amps	Weight (lbs.)	List (US \$)
PHC1075-25	1-Speed - 25 ft. Cord	115	¾	10.3	25	834.53
PHC1100-25	1-Speed - 25 ft. Cord	115	1.0	10.3	28	847.65
PHC1151-25	1-Speed - 25 ft. Cord	115	1.5	11.6	35	877.29
PHC2075-25	2-Speed - 25 ft. Cord	115	¾	8.8 / 2.6	31	962.46
PHC2100-25	2-Speed - 25 ft. Cord	115	1.0	8.8 / 2.6	31	975.57
PHC2150-25	2-Speed - 25 ft. Cord	115	1.5	11.0 / 2.9	31	1,027.18



CSA / CSA ProClean Plus Single Cartridge Filter Systems

FEATURES:

- Raised inlet for clean easy plumbing
- Top-mounted pressure gauge for easy reading
- "Start-Service" dial on pressure gauge to inform user when it is time to service
- Extra-large air relief
- Drain accepts a standard hose for easy drainage

This system is our Pro-Clean Plus in-ground pool filter with Waterway's above-ground CSA Hi-Flo II or CSA Supreme Pump for an exceptional above-ground system.



CSA ProClean Plus Single Cartridge Filter Systems - Hi-Flo II 1-Speed Pump

Part No.	Filter	Filtration Area	Pump	HP	List (US \$)
520-6000-C25S	PCCF-075	75 sq. ft.	PHC1100-25	1.0	1,146.48
520-6100-C25S	PCCF-100	100 sq. ft.	PHC1100-25	1.0	1,289.81
520-6115-C25S	PCCF-100	100 sq. ft.	PHC1150-25	1.5	1,504.38
520-6215-C25S	PCCF-125	125 sq. ft.	PHC1150-25	1.5	1,574.80
520-6315-C25S	PCCF-150	150 sq. ft.	PHC1150-25	1.5	1,645.16
520-6415-C25S	PCCF-175	175 sq. ft.	PHC1150-25	1.5	1,840.40
520-6515-C25S	PCCF-200	200 sq. ft.	PHC1150-25	1.5	1,966.42
520-6520-C25S	PCCF-200	200 sq. ft.	PHC1200-25	2.0	2,083.04

CSA ProClean Plus Single Cartridge Filter Systems - Supreme 1-Speed Pump

Part No.	Filter	Filtration Area	Pump	HP	List (US \$)
FPSC10010-25S	PCCF-100	100 sq. ft.	PSPC1100-25	1.0	1,430.98
FPSC10015-25S	PCCF-100	100 sq. ft.	PSPC1150-25	1.5	1,639.07
FPSC12515-25S	PCCF-125	125 sq. ft.	PSPC1150-25	1.5	1,715.87
FPSC15015-25S	PCCF-150	150 sq. ft.	PSPC1150-25	1.5	1,792.65
FPSC17515-25S	PCCF-175	175 sq. ft.	PSPC1150-25	1.5	1,986.52
FPSC20015-25S	PCCF-200	200 sq. ft.	PSPC1150-25	1.5	2,143.11
FPSC20020-25S	PCCF-200	200 sq. ft.	PSPC1200-25	2.0	2,248.70



FEATURES:

- True Spiral Laminar flow D.E. filter or large filtration, small footprint cartridge filter
- Top of the line Supreme High Performance Pump
- Extra large 7" pump trap with clear lid
- Unionized gate valve to isolate the system for maintenance
- Two 1 1/2" diameter hoses with clamps
- Filter and pump mounting base
- Complete fitting package for all connections



CSA Pumps & Filter Systems

CSA ClearWater II D.E. Deluxe Systems - Supreme 1-Speed Pump

Part No.	Filter	Flow Rate	Pump	HP	Volts	Weight (lbs.)	List (US \$)
FDSC04410-25S	FD12	44 GPM	PSPC1100-25	1.0	115	73	1,554.32
FDSC06710-25S	FD18	67 GPM	PSPC1100-25	1.0	115	78	1,734.08

CSA ClearWater II Cartridge Deluxe Systems - Supreme 1-Speed Pump

Part No.	Filter	Filtration Area	Pump	HP	Volts	Weight (lbs.)	List (US \$)
FCSC07510-25S	FC075	75 sq. ft.	PSPC1100-25	1.0	115	70	1,411.39
FCSC10010-25S	FC100	100 sq. ft.	PSPC1100-25	1.0	115	76	1,578.69
FCSC15015-25S	FC150	150 sq. ft.	PSPC1150-25	1.5	115	81	1,812.01
FCSC20015-25S	FC200	200 sq. ft.	PSPC1150-25	1.5	115	82	1,964.14

INCLUDES:

- 2 hoses (1 1/2" x 6 ft.)
- Filter / Pump Hose with Union Adapters, hose fittings and hose clamps
- Supreme Pump with 25 ft. cord with 3-prong NEMA (regular) plug
- Deluxe one-piece base system
- Unionized gate valve to isolate system for maintenance
- Accessory base for optional timer and/or chlorinator



CSA / ClearWater Sand CSA Systems

DELUXE SYSTEM FEATURES:

- Large filtration sand filter with durable, high flow laterals
- Top-of-the-Line Supreme High Performance Pump
- Extra large 7" pump trap with clear lid
- Union connection on multi-port for easy installation
- Unionized gate valve to isolate the system for maintenance
- Filter and pump mounting bases and additional accessory base for chlorinator and timer (*sold separately*)
- Fittings package for all connections

STANDARD SYSTEM FEATURES:

- Large filtration sand filter with durable, high flow laterals
- Hi-Flo II High Performance Pump
- Large 6" pump trap with 2-piece lid
- Union connection on multi-port for easy installation



INCLUDES:

- Filter and multi-port valve
- Filter base
- Filter / Pump Hose with Union Adapters
- Supreme Pump with 25 ft. cord
- Pump base
- Return hose and gate valve
- Accessory base for optional timer and/or chlorinator

INCLUDES:

- Filter / Pump Hose with Union Adapters, hose fittings and hose clamps
- Deluxe one-piece base system
- Unionized gate valve to isolate system for maintenance
- Accessory base for optional timer and/or chlorinator

INCLUDES:

- Filter
- Filter base
- Filter / Pump Hose with Union Adapters
- Hi-Flo Pump with 25 ft. cord
- Pump base

CSA ClearWater Sand Deluxe Systems - Supreme 1-Speed Pump

Part No.	Filter	Diameter	Pump	HP	Volts	Weight (lbs.)	List (US \$)
FSSC01610-25S	FS016	16"	PSPC1100-25	1.0	115	67	1,299.50
FSSC01910-25S	FS019	19"	PSPC1100-25	1.0	115	67	1,376.14
FSSC02215-25S	FS022	22"	PSPC1150-25	1.5	115	67	1,516.88
FSSC02615-25S	FS026	26"	PSPC1150-25	1.5	115	82	1,647.63

CSA ClearWater Sand Deluxe Systems (without Supreme Pump)

Part No.	Diameter	Weight (lbs.)	List (US \$)
FS016H	16"	--	636.94
FS019H	19"	--	693.58
FS022H	22"	--	796.59
FS026H	26"	--	927.08

CSA ClearWater Sand Standard Systems - Hi-Flo II 1-Speed Pump

Part No.	Filter	Diameter	Pump	HP	Volts	Weight (lbs.)	List (US \$)
520-5400-25S	FS016	16"	PHC1100-25	1.0	115	61	1,250.05
520-5420-25S	FS019	19"	PHC1100-25	1.0	115	74	1,294.14
520-5440-25S	FS022	22"	PHC1150-25	1.5	115	--	1,434.90
520-5460-25S	FS026	26"	PHC1150-25	1.5	115	--	1,552.82



DELUXE SYSTEM FEATURES:

- Large filter with extra sand-holding capacity
- Top-of-the-line Supreme High Performance Pump
- Extra large 7" pump trap with clear lid
- Union connection on multi-port for easy installation
- Unionized gate valve to isolate the system for maintenance
- Filter and pump mounting bases and additional accessory base for chlorinator and timer (*sold separately*)
- Fittings package for all connections

STANDARD SYSTEM FEATURES:

- Large filter with extra sand-holding capacity
- Hi-Flo II High Performance Pump
- Large 6" pump trap with 2-piece lid
- Standard pump and filter base
- Fittings package for all connections



CSA Pumps & Filter Systems

Carefree Sand CSA Deluxe System with Supreme 1-Speed Pump

Part No.	Filter	Diameter	Pump	HP	Volts	Weight (lbs.)	List (US \$)
FSSC016910-25S	FS01619	16"	PSPC1100-25	1.0	115	--	1,438.65
FSSC019910-25S	FS01922	19"	PSPC1100-25	1.0	115	--	1,484.10
FSSC022915-25S	FS02225	22"	PSPC1150-25	1.5	115	--	1,629.11
FSSC026915-25S	FS02629	26"	PSPC1150-25	1.5	115	--	1,763.75

INCLUDES:

- Filter and multi-port valve
- Filter base
- Filter / Pump Hose with Union Adapters
- Supreme Pump with 25 ft. cord
- Pump base
- Return hose and gate valve
- Accessory base for optional timer and/or chlorinator

Carefree Sand CSA Deluxe System (without Supreme Pump)

Part No.	Filter	Diameter	Weight (lbs.)	List (US \$)
FS01619H	FS01619	16"	--	710.76
FS01922H	FS01922	19"	--	768.78
FS02225H	FS02225	22"	--	879.24
FS02629H	FS02629	26"	--	1,054.79

INCLUDES:

- Filter / Pump Hose with Union Adapters, hose fittings and hose clamps
- Deluxe one-piece base system
- Unionized gate valve to isolate system for maintenance
- Accessory base for optional timer and/or chlorinator

Carefree Sand CSA Standard System with Hi-Flo II 1-Speed Pump

Part No.	Filter	Diameter	Pump	HP	Volts	Weight (lbs.)	List (US \$)
520-5300-C25S	FS01619	16"	PHC1100-25	1.0	115	--	1,259.12
520-5320-C25S	FS01922	19"	PHC1100-25	1.0	115	77	1,272.76
520-5340-C25S	FS02225	22"	PHC1150-25	1.5	115	88	1,449.57
520-5360-C25S	FS02629	26"	PHC1150-25	1.5	115	--	1,493.98

INCLUDES:

- Filter
- Filter base
- Filter / Pump Hose with Union Adapters
- Hi-Flo Pump with 25 ft. cord
- Pump base



Pool Pumps / Accessories and Wet Ends

Champion Wet Ends

Part No.	Description	List (US \$)
310-3000	¾ HP SF	554.55
310-3010	1 HP SF	554.55
310-3010-SS	1 HP SF - Stainless Steel	592.33
310-3020	1.5 HP SF	554.55
310-3030	2 HP SF	554.55
310-3030-SS	2 HP SF - Stainless Steel	592.33
310-3040	2.5 HP SF	554.55
310-3050	3 HP SF	554.55
310-3050-SS	3 HP SF - Stainless Steel	592.33
310-3060	¾ HP EF	554.55
310-3070	1 HP EF	554.55
310-3080	1.5 HP EF	554.55
310-3090	2 HP EF	554.55
310-3100	3 HP EF	554.55



SVL56 Wet Ends

Part No.	Description	Case Quantity	List (US \$)
310-3500	1 HP - EF	10	598.41
310-3510	1.5 HP - EF	10	598.41
310-3520	2 HP - EF	10	598.41
310-3530	3 HP - EF	10	553.07
310-3540	¾ HP - SF	10	598.41
310-3550	1 HP - SF	10	598.41
310-3560	1.5 HP - SF	10	598.41
310-3570	2 HP - SF	10	598.41
310-3580	2.5 HP - SF	10	598.41

6" Leaf Traps

Part No.	Description	Case Quantity	List (US \$)
310-5400	1 ½" x 1 ½"	5	92.96
310-6500	1 ½" x 2"	5	105.34
310-6600	2" x 2"	5	105.34

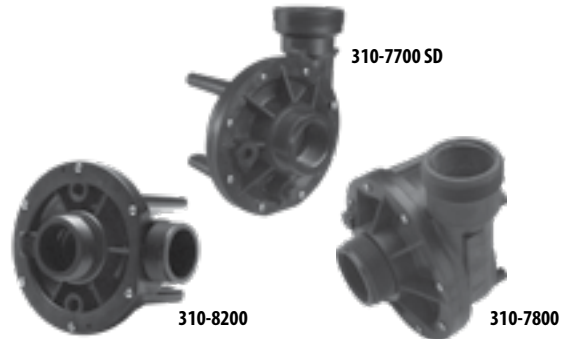
Works with all Hi-Flo II and Center Discharge pumps.

Supreme Impellers

Part No.	Description	Case Quantity	List (US \$)
310-5080	¾ HP (less trap)	150	37.48
310-5090	1 HP (less trap)	150	37.48
310-5100	1.5 HP or 2 HP (less trap)	150	37.48

2" Hi-Flo II Side Discharge Wet Ends

Part No.	Rating	Case Qty.	List (US \$)
310-7700SD	½ HP	15	130.96
310-7710SD	¾ HP	15	130.96
310-7720SD	1 HP	15	130.96
310-7730SD	1 ½ HP	15	130.96
310-7740SD	2 HP	15	130.96



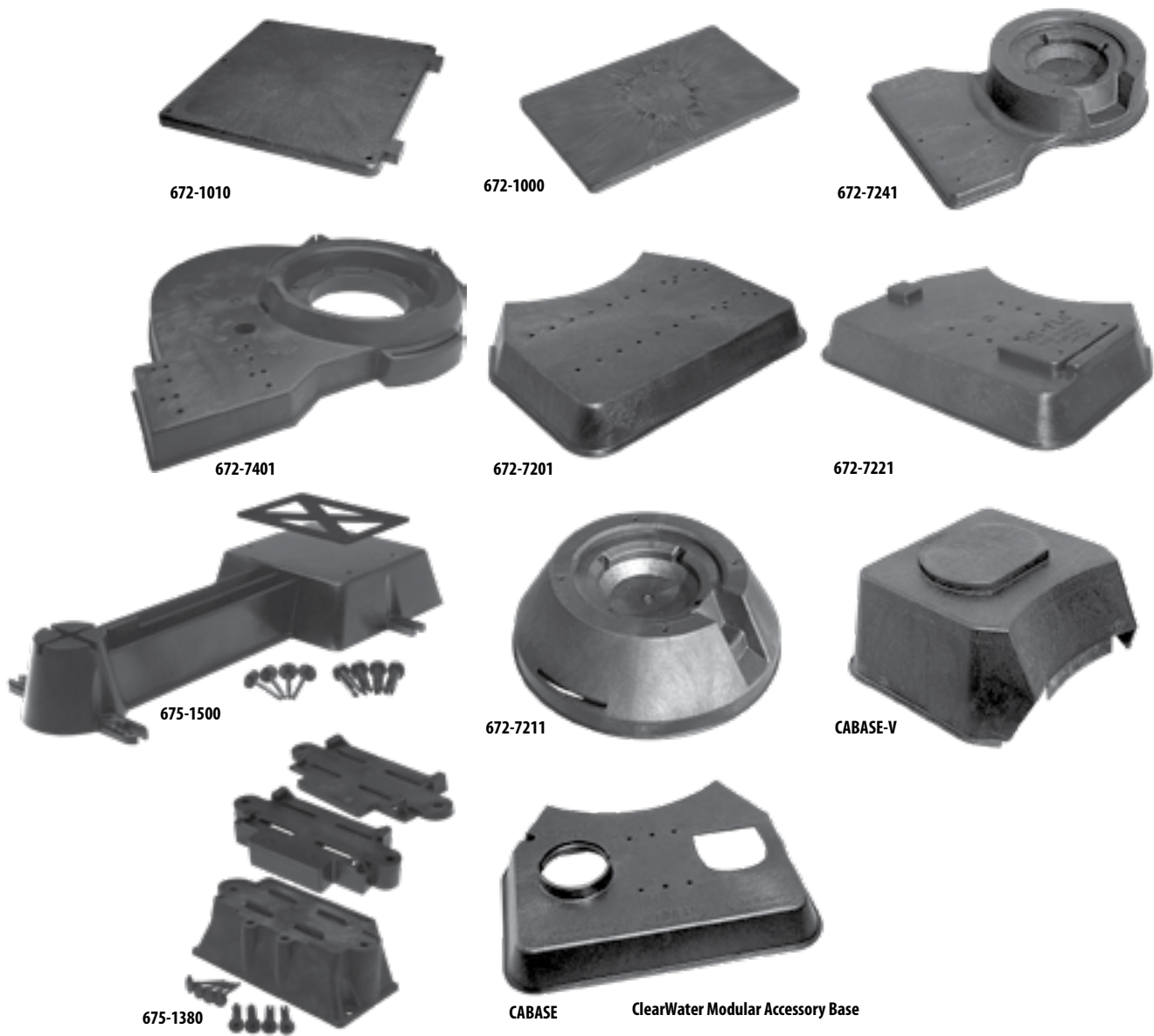
Spa Flo Wet Ends

Part No.	Description	List (US \$)
310-7800	2013 Spa Flo II / S/D ½ HP Wet End 1.5"IN/DIS	109.02
310-7810	2013 Spa Flo II / S/D ¾ HP Wet End 1.5"IN/DIS	109.02
310-7820	2013 Spa Flo II / S/D 1 HP Wet End 1.5"IN/DIS	109.02
310-7830	2013 Spa Flo II / S/D 1 ½ HP Wet End 1.5"IN/DIS	130.96
310-7840	2013 Spa Flo II / S/D 2 HP Wet End 1.5"IN/DIS	130.96

E-Series Center Discharge Wet Ends

Part No.	Description	List (US \$)
310-8200	½ HP Center Discharge "E" Wet End	130.96
310-8210	¾ HP Center Discharge "E" Wet End	130.96
310-8220	1 HP Center Discharge "E" Wet End	130.96
310-8230	1 ½ HP Center Discharge "E" Wet End	130.96
310-8240	2 HP Center Discharge "E" Wet End	130.96

Note: E-Series Center Discharge Wet Ends are the same size as the Standard Series Center Discharge Wet Ends. See Page 302.



Wet Ends / Bases

Bases

Part No.	Description	List (US \$)
672-1010	¾" x 14 ½" x 15"	35.93
672-1000	1" x 15 ¼" x 26 ¼"	43.76
672-7241	ClearWater Standard Filter and Pump Base	95.23
672-7401	ClearWater II Filter and Pump Base	181.27
672-7201	ClearWater Modular Pump Base for Supreme/ WorkHorse Pump	40.44
672-7221	ClearWater Modular Pump Base for Hi-Flo Pump	40.44
675-1500	CSA Pump Base, Supreme and Hi Flo Pump	36.09
672-7211	ClearWater/Carefree Modular Filter Base	80.80
675-1380	Champion/SMF Pumps Adjustable Base	41.38
CABASE	ClearWater Modular Accessory Base <i>(for use with Modular Base Systems)</i>	40.44
CABASE-V	Modular Feeder Base <i>(for use with Modular Base Systems)</i>	59.69
CABASE-VF	Feeder Base with Fittings	74.59

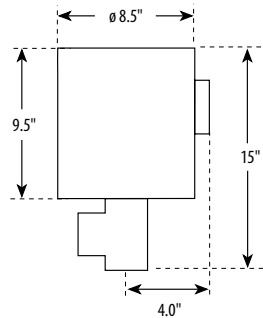


Air Systems / Santanna II & Stealth II Air Blowers

Waterway's Santanna II Residential Air Blower is one of the best quiet running outdoor spa air blowers on the market today.

FEATURES:

- Side or bottom mount
- Heat-free due to open air system that eliminates back pressure build-up
- Internal check valve resists water damage
- Thermally protected for locked motor condition
- Mounting body is Hi-Temp material, eliminating the need for wall mounting
- Side/Bottom outlet is perfect for any outdoor installation and a slip plug is included for the outlet not in use
- Has been tested, certified and listed by UL to requirements of both UL and CSA standards
- Santanna II Air Blowers for residential use are backed by a full one-year, no water damage, warranty
- Bracket on case for easy mounting
- High impact strength construction
- Indoor/outdoor use



Air Check Valves

600-8140 (included) & 600-8160
(U.L. Listed SA8537)

1½" Slip, 2" Spigot x 1½" S -
2" Spigot, ¼ lb. Spring

Number of Jets	Blower Size
4 - 7	1 HP
8 - 13	1½ HP
14 +	2 HP



When using a blower to turbo charge jets, care must be taken in sizing and installation. It is important not to oversize the blower.

Santanna II Air Blowers

Part No.	HP	Volts	Amps	Orifice Dia.	Air Flow (CFM)	PSI	List (US \$)
750-3101-280	1.0	110	7.0	2"	115	2.1	356.07
750-3102-280	1.0	220	3.5	2"	113	3.8	378.92
750-3151-280	1.5	110	8.0	2"	120	4.2	400.81
750-3152-280	1.5	220	4.0	2"	108	2.1	415.97
750-3201-280	2.0	110	9.0	2"	128	3.8	451.33
750-3202-280	2.0	220	6.0	2"	119	4.2	469.89

An external UL Listed check valve (sold separately) is available and can be plumbed into the air line.

FEATURES:

- High performance motor runs cooler and quieter
- High impact resistant construction
- Has been tested, certified and listed by UL to requirements of both UL and CSA standards



Stealth II Blower Assemblies

Part No.	Description	Amps	Case Qty	List (US \$)
700-3011-000	1.0 HP - 110V - 1½" S / 2" Spigot	6.7	6	229.74
700-3151-000	1.5 HP - 110V - 1½" S / 2" Spigot	7.6	6	261.22
700-3102-000	1.0 HP - 220V - 1½" S / 2" Spigot	4.0	6	246.60
700-3152-000	1.5 HP - 220V - 1½" S / 2" Spigot	4.2	6	268.59
700-3201-000	2.0 HP - 110V - 1½" S / 2" Spigot	8.8	6	330.42
700-3202-000	2.0 HP - 230V - 1½" S / 2" Spigot	5.8	6	303.64

See Blower Sizing on page 260 to calculate your required blower size.

Listed price is without cord. Please call Waterway for part number and pricing with cord.

Stealth II



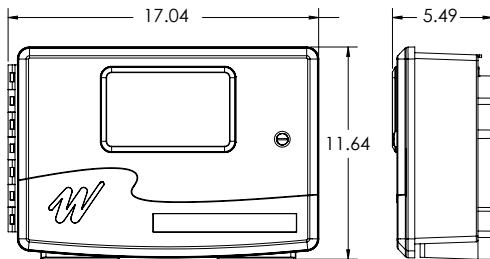
OASIS

POOL & SPA CONTROL

FEATURES:

- 3.2" Color Screen
- Wi-Fi Option
- Variable, 1 or 2 Speed Pump Control
- 6 Standard Relays
- Controls up to 4 Valve Actuators
- Rugged construction with UV resistant enclosure
- Freeze protection
- Complies to UL and CE requirements
- Dimensions: 17" W x 11.5" H x 5.25" D

The advanced Pool & Spa Control that communicates with Waterway and many major pump & lighting systems!



A Better Solution for Common Pool Applications

- The most cost effective control for standard "pool only" applications.
- Easily handles "pool & spa" combination applications
- Simple to install, program and service

Free Wi-Fi App

- From any smart phone, tablet or web device
- Free download from Apple® or Google Play™
- 24 hour control



OASIS can operate onboard as well as relocatable user interfaces.

OASIS Pool & Spa Control System

Part No.	Description	List (US \$)
770-1000-PS	Standard Control	1,224.60
770-1002-PS2	Standard Control + 2 Valve Actuators	1,511.36
770-1004-PSW	Standard Control + Wi-Fi	1,693.52
770-1006-PSW2	Standard Control + 2 Valve Actuators & Wi-Fi	2,162.43
770-0006	OASIS Control Panel	721.24
770-0050	OASIS Control Panel / 50' Lxxx	753.69
770-0100	OASIS Control Panel / 100' Lxxx	786.17
770-0150	OASIS Control Panel / 150' Lxxx	818.62
770-0200	OASIS Control Panel / 200' Lxxx	851.09
773-2400	Valve Actuator	315.62



Unions / Union Assemblies



FEATURES:

- 100% CPVC
- 18 degree Swivel
- Includes O-Ring (Teflon tape or Teflon paste not needed)
- Can be installed on all 2" suction or discharge sides of pump.

400-4481-CPVC

Swivel Union Assembly

Part No.	Description	Case Weight	Case Quantity	List (US \$)
400-4481-CPVC	Swivel Union Assembly - 2" S x 2" Spigot	34.56 lbs.	45	28.55



400-5090



400-3090



400-5200

Self-Aligning Union Assemblies

Part No.	Description	Case Weight	Case Quantity	List (US \$)
400-5090	Self-Aligning Union Assembly - 2" S x 2" S	19 lbs.	40	13.30
400-3090	Self-Aligning Union Assembly - 1 1/2" S x 1 1/2" S	21 lbs.	40	11.59
400-5200	Self-Aligning Union Assembly - 1 1/2" S x 2" S	34.8 lbs.	80	12.60



400-3070



400-4160



400-5080

Union Assemblies

Part No.	Description	Case Weight	Case Quantity	List (US \$)
400-3070	Barbed Union Hose Adapter - 1 1/2" NPT x 1 1/2" (includes cap for winterization)	10 lbs.	30	13.43
400-4160	Union Assembly #23 - 1 1/2" FPT x 1 1/2" S	10.47 lbs.	25	13.40
400-5080	Union Assembly - 2" S x 2" MPT	16 lbs.	30	15.79



Unions / Pump Union Assemblies



400-1940



400-1990

1" Pump Union Assemblies

Part No.	Description	Case Quantity	List (US \$)
400-1940	1" Union Nut with ¾" RB Tailpiece and O-Ring	25	4.33
400-1990	1" S Union Nut with 1" Slip Tailpiece and O-Ring	100	4.33



400-4060



400-2020



400-2010



400-4230



400-4240



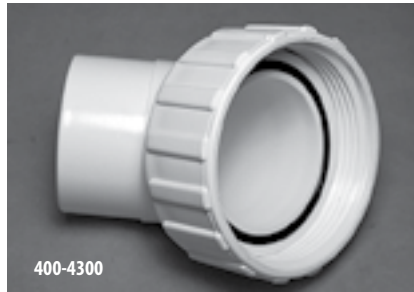
400-9280

1 ½" Pump Union Assemblies

Part No.	Description	Case Quantity	List (US \$)
400-4060	1 ½" Union Nut with 1 ½" S Tailpiece and O-Ring	100	5.20
400-5640	1 ½" Union Nut with 1 ½" S Tailpiece with Gasket	100	5.52
400-2020	1 ½" Union Nut with 1 ½" Spigot / 1" S Tailpiece and O-Ring	200	6.71
400-2017	1 ½" Union Nut with 50mm S Tailpiece and O-Ring	70	6.50
400-4230	1 ½" Union Nut with 1 ½" FPT Tailpiece and O-Ring	100	9.75
400-4510	1 ½" Union Nut with 1 ½" FPT Tailpiece and O-Ring with Gasket	200	10.06
400-4240	1 ½" Union Nut with 1 ½" Spigot Tailpiece and O-Ring	50	8.13
400-9280	1 ½" Union Nut with 1 ½" / 1 ¼" Hose Adapter and O-Ring	25	5.46



Unions / Pump Union Assemblies



Unions

2" Pump Union Assemblies

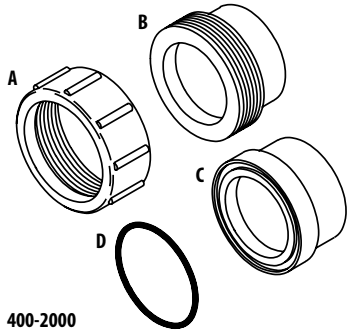
Part No.	Description	Case Quantity	List (US \$)
400-5570	2" Union Nut with 2" S Tailpiece and O-Ring	70	7.82
400-5670	2" Union Nut with 2" S Tailpiece and O-Ring with Gasket	70	8.13
400-9240	2" Union Nut with 1 1/2" Hose Adapter and O-Ring	30	11.25
400-5800	2" Union Nut with 2" Sweep Ell - 90° Tailpiece	40	10.12
400-5660	2" Union Nut with 1 1/2" FPT Nut Tailpiece and O-Ring	72	14.06
400-4300	2" Union Nut with 2" Spigot 45° Tailpiece and O-Ring	70	8.65
400-9230	2" Union Nut with 2" Spigot / 1 1/2" S Tailpiece and O-Ring	40	7.82
400-5680	2" Union Nut with 2" Spigot / 1 1/2" S Tailpiece and O-Ring with Gasket	140	8.13



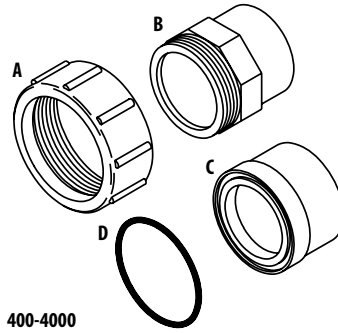
2 1/2" Pump Union Assemblies

Part No.	Description	Case Quantity	List (US \$)
400-5990	2 1/2" Union Nut with 2" S Tailpiece and O-Ring	50	11.02
400-6010	2 1/2" Union Nut with 2 1/2" S Tailpiece and O-Ring	36	11.02
400-6021B	2 1/2" Union Nut x 2 1/2" S - Black (2 included with SVL56 pump)	72	12.37
400-5971B	2 1/2" Union Nut x 2" S - Black (2 included with SVL56 pump)	72	12.37

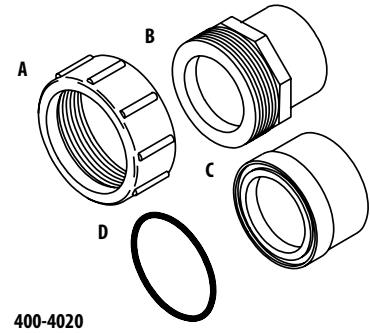
Unions / Union Assemblies



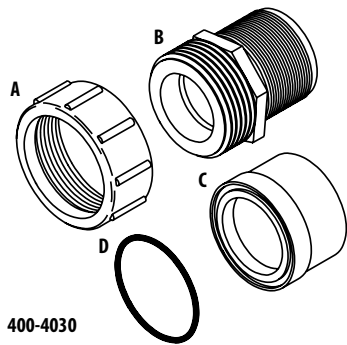
400-2000



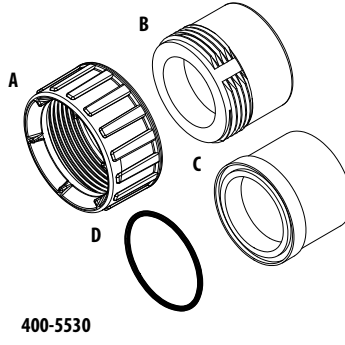
400-4000



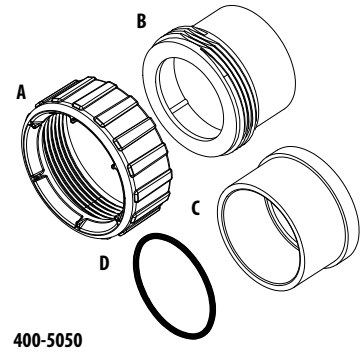
400-4020



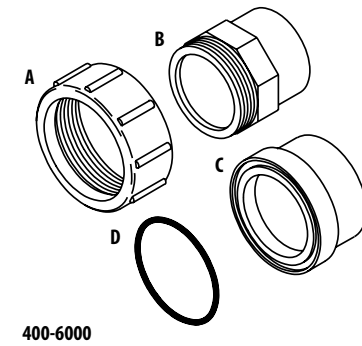
400-4030



400-5530



400-5050



400-6000

Unions

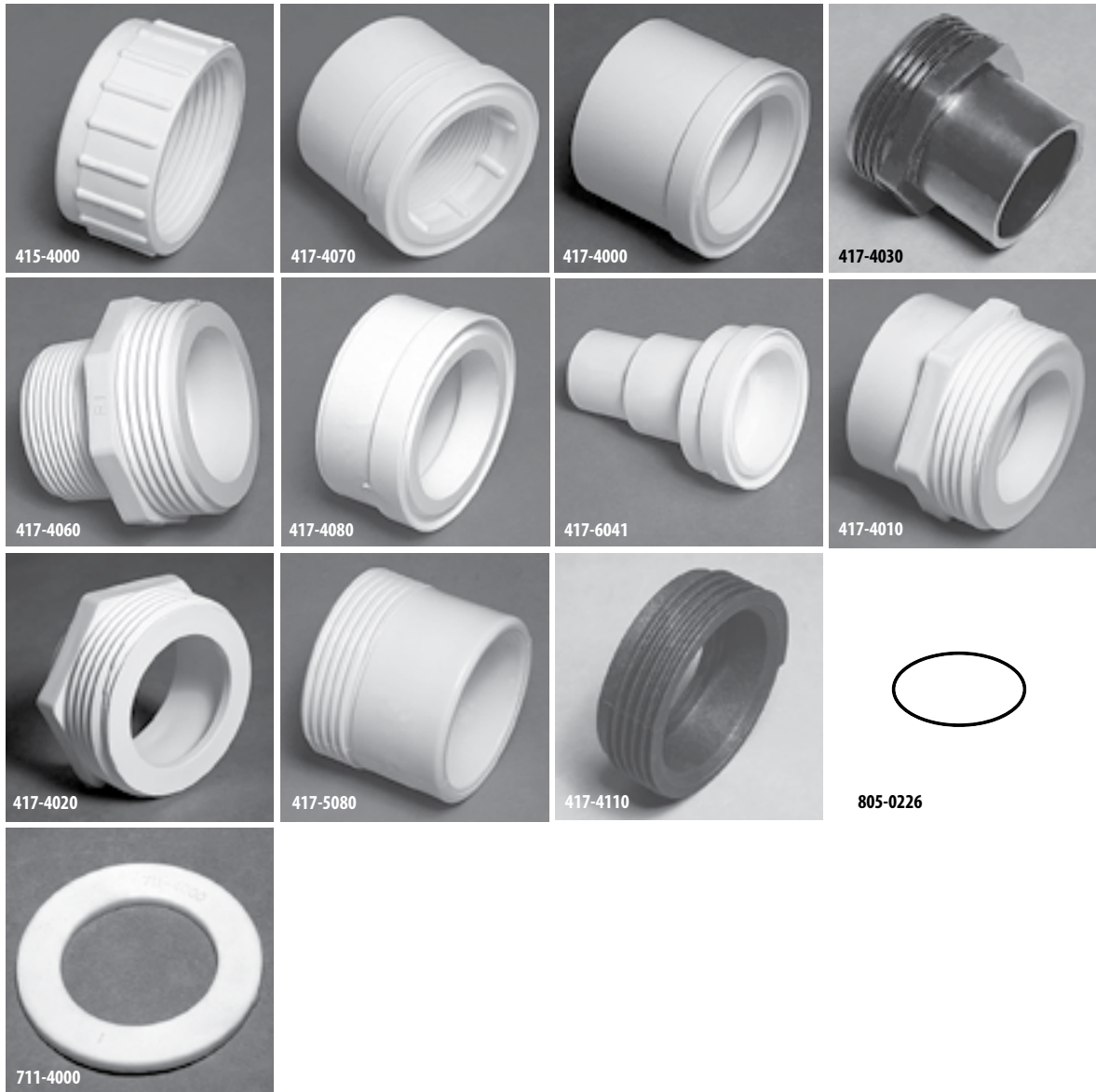
Union Assemblies

Part No.	Description	Part A	Part B	Part C	Part D	Case Quantity	List (US \$)
400-2000	Union Assembly - 1" S x 1" S	415-2000	417-2010	417-2020	805-0123	60	8.36
400-4000	Union Assembly #1 - 1 1/2" S x 1 1/2" S	415-4000	417-4010	417-4000	805-0226	50	8.36
400-4020	Union Assembly #3 - 1 1/2" S x 1 1/2" Spigot	415-4000	417-4030	417-4000	805-0226	25	11.71
400-4030	Union Assembly - 1 1/2" MPT x 1 1/2" S	415-4000	417-4060	417-4000	805-0226	25	11.71
400-5530	Union Assembly - 2" Spigot / 1 1/2" S x 1 1/2" S	415-4000	417-4000	417-5080	805-0226	40	11.71
400-5050	Union Assembly #13 - 2" S x 2" S	415-5000	417-5040	417-5120	805-0229	25	11.75
400-6000	Union Assembly - 2 1/2" S x 2 1/2" S	415-6000	417-6010	417-6000	805-0232	36	13.40

Standard color is white. All fittings meet or exceed A.S.T.M. Schedule 40 standards.



Unions / 1 1/2" Union Components



1 1/2" Union Components

Part No.	Description	Case Quantity	List (US \$)
415-4000	1 1/2" Union Nut	250	2.56
417-4070	1 1/2" Flange x 1 1/2" FPT Tailpiece	100	2.56
417-4000	1 1/2" Flange x 1 1/2" S Tailpiece	300	2.85
417-5500	1 1/2" Flange x 50mm S Tailpiece	100	2.56
417-4100	1 1/2" Flange x 1 1/2" Spigot	75	4.92
417-4030	1 1/2" Buttress Thread x 1 1/2" Spigot Tailpiece	230	2.56
417-4060	1 1/2" Buttress Thread x 1 1/2" MPT Tailpiece	230	2.67
417-4080	1 1/2" Flange x 1 1/2" S Tailpiece - Short	150	2.31
417-6041	1 1/2" Flange x 1 1/2" / 1 1/4" Hose Adapter Fitting	75	2.24
417-4010	1 1/2" Buttress Thread x 1 1/2" S Tailpiece	250	2.86
417-4020	1 1/2" Buttress Thread x 1 1/2" S - Short	50	2.86
417-5080	1 1/2" Buttress Thread x 1 1/2" S x 2" Spigot Tailpiece	75	3.34
417-4110	1 1/2" Buttress x 1 1/2" S - Short	150	4.48
711-4000	1 1/2" Union Gasket	500	0.64
805-0226	O-Ring - 1 1/2" Tailpiece	100	0.62

Unions / 2" & 2 1/2" Union Components



415-5000



417-5120



417-5020



417-6030



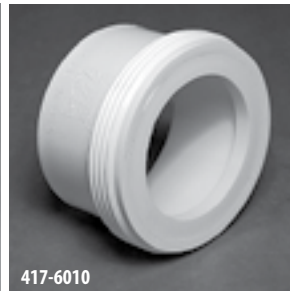
417-5260



417-4220



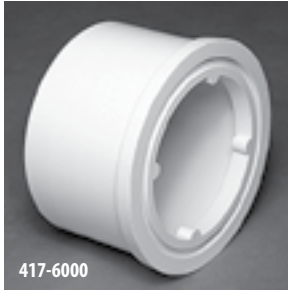
417-5040



417-6010



415-6000



417-6000



805-0145



805-0232



711-4010 / 711-4020

2" and 2 1/2" Union Components

Part No.	Description	Case Quantity	List (US \$)
415-5000	2" Union Nut	180	3.89
417-5120	2" Flange x 2" S Tailpiece	50	4.06
417-5020	2" Flange x 2" Spigot / 1 1/2" S Tailpiece	100	4.52
417-6050	2" Flange x 1 1/2" / 1 1/4" Hose Adapter Fitting	200	3.75
417-6030	2" Flange x 1 1/2" Hose Adapter Fitting	25	3.44
417-5260	2" Buttress Thread x 2" Spigot / 1 1/2" S Tailpiece	160	4.52
417-4220	2" Flange x 2" MPT	50	7.93
417-5090	2" Flange Thread x 1 1/2" MPT Tailpiece	25	4.52
417-5040	2" Buttress Thread x 2" S Tailpiece	150	3.15
805-0145	O-Ring – 2" Heater Tailpiece	100	0.62
805-0229	2" Pump Union (thick) O-ring	100	0.73
711-4010	2" Flat Union Gasket	500	1.43
711-4020	2" x 1/4" Thick Union Gasket	500	1.35
711-4030	2" Ribbed O-ring Union Gasket	500	0.81
415-6000	2 1/2" Union Nut	50	7.54
417-6000	2 1/2" Flange x 2 1/2" Socket	50	4.82
417-5970	2 1/2" Flange x 2" Socket	50	4.52
417-6010	2 1/2" Buttress Thread x 2 1/2" Socket	100	5.19
805-0232	O-Ring – 2 1/2" Heater Tailpiece	100	1.34



Pool Chlorinators & Accessories/ Chlorinators

ABOVE GROUND FEATURES:

- 1 ½" x 6" Extension Adapter for easy installation on all Filter choices
- A check valve to prevent backflow of water into chlorinator
- Includes 1 ½" hose adapter
- Internal chamber designed for improved performance
- Holds four (4) - 3" tabs; 4 ½ lbs of ½" tabs



For replacement parts, see page 348.

Above Ground Chlorinators

Part No.	Description	Color	Case Weight	Case Qty.	Weight (lbs.)	List (US \$)
CAG004-W	Above-Ground Chlorinator (fittings to install on Sand Filter Multi-Port Included)	White	24.11 lbs.	20	3	109.49
400-3090	1 ½" S Self-Aligning Union for In-Line	White	40.9 lbs.	40	21	11.59
400-5200	2" S Self-Aligning Union for In-Line	White	38.23 lbs.	40	20	12.60
400-9820	Chlorinator Fitting - 1 ½" MPT x 1 ½" Buttress	--	9.67 lbs.	20	--	20.23

*Clear style chlorinators will lose clarity over time, depending on type of chlorine, weather conditions and usage.

Advanced design ClearWaterVS In-Line Automatic Chlorinator creates tablet saturation when using Variable Speed Pumps at all speeds.



IN-LINE FEATURES:

- Now with 100% Shut-off Valve
- Easy to read accurate control valve
- Large chamber body (White or Clear)
- Check Valve to prevent backflow into chlorinator
- 2" socket x 2.5" spigot (1.5" socket reducers included)
- Enclosed internal saturation tube - provides optimal flow across chlorine tablets
- Twelve (12) tablet capacity
- Available in White or Clear



In-Line Chlorinators

Part No.	Description	Color	Case Weight	Case Qty.	Weight (lbs.)	List (US \$)
CLC012	In-Line - 12 Tablet Feeder - 2" Socket (includes 1 ½" socket reducer)	Clear*	38 lbs.	1	5	154.93
CLC012-W	In-Line - 12 Tablet Feeder - 2" Socket (includes 1 ½" socket reducer)	White	38 lbs.	1	5	154.93
550-6700	In-Line Chlorinator Mounting Bracket (fits Waterway Above Ground Filter Systems)	Black	28.27 lbs.	30	29	26.92



Ells, Tees, & Wyes / Couplers & Accessories



419-4100

419-4120

429-2000



418-6000



418-3000



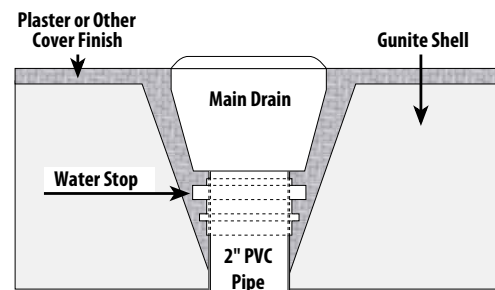
418-1000

Accessories

Part No.	Description	Case Weight	Case Quantity	List (US \$)
419-4100	1" Inside Coupler	16 lbs.	300	2.87
419-4110	1 1/2" Inside Coupler	12 lbs.	100	3.23
419-4120	2" Inside Coupler	9 lbs.	60 (bulk)	3.76
429-2000	1 1/2" Fitting Extender	8 lbs.	30	6.53
429-2010	2" Fitting Extender	10 lbs.	30 (bulk)	6.86
418-1000	1/2" Pipe Extender	7 lbs.	400 (bulk)	1.60
418-2000	3/4" Pipe Extender	7 lbs.	250 (bulk)	2.60
418-3000	1" Pipe Extender	14 lbs.	280 (bulk)	2.87
418-4000	1 1/4" Pipe Extender	15 lbs.	200 (bulk)	3.06
418-5000	1 1/2" Pipe Extender	6 lbs.	50 (bulk)	3.23
418-6000	2" Pipe Extender	4 lbs.	25 (bulk)	3.62
418-7000	2 1/2" Pipe Extender	13 lbs.	25 (bulk)	4.71



Waterstops - 1", 1 1/2", 2", 2 1/2"



Waterstops eliminate leaks due to expansion and contraction of plaster and/or other finish materials.

Waterstops

Part No.	Description	Case Weight	Case Quantity	List (US \$)
429-3000	1" Waterstop	6 lbs.	100	2.38
429-3010	1 1/2" Waterstop	15 lbs.	200	2.85
429-3020	2" Waterstop	5 lbs.	50	3.49
429-3030	2 1/2" Waterstop	6.98 lbs.	50	4.94



Ells, Tees, & Wyes / Sweep Ells



411-9100

NSF



411-9110

NSF



411-9120

NSF



411-9130

NSF



411-9140

NSF



411-9150

NSF



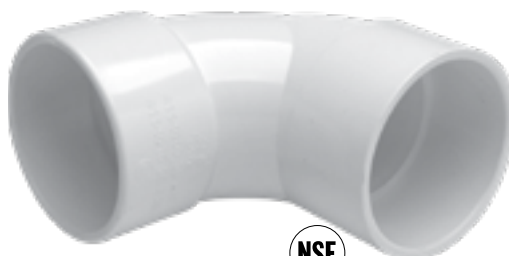
411-9160

NSF



411-9210

NSF



411-9200

NSF

Sweep Ells

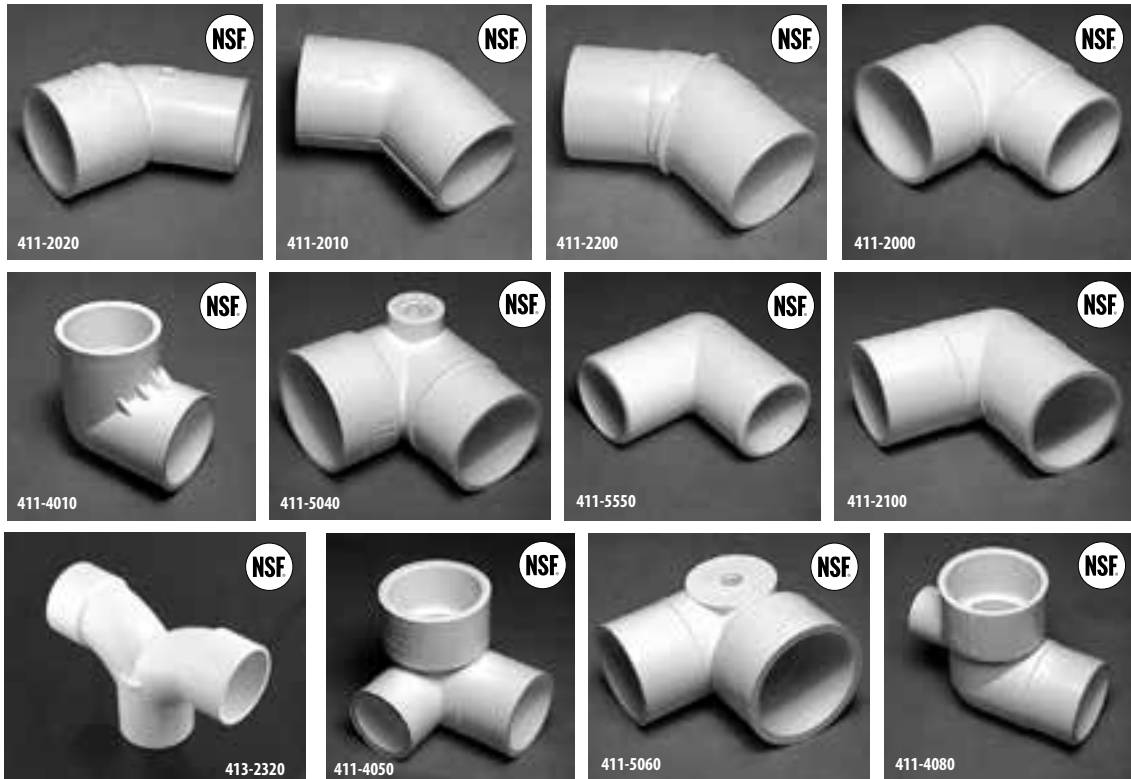
Part No.	Description	NSF Approved	Case Weight	Case Quantity	List (US \$)
411-9100	1 1/2" Spigot x 1 1/2" S	x	8 lbs.	25	4.75
411-9110	1 1/2" S x 1 1/2" S	x	8 lbs.	25	4.75
411-9120	2" Spigot x 2" S	x	25 lbs.	60	5.34
411-9130	2" S x 2" S	x	25 lbs.	60	5.34
411-9140	2 1/2" Spigot x 2 1/2" S	x	21 lbs.	30	7.58
411-9150	2 1/2" S x 2 1/2" S	x	22 lbs.	30	7.58
411-9160	2" Spigot 90° x 2 1/2" S	x	22 lbs.	35	7.58
411-9200	3" S x 3" S	x	22 lbs.	17	11.37
411-9210	3" S x 3" Spigot	x	26 lbs.	20	11.14

Ells / Tees / Wyes



Ells, Tees, & Wyes / 45° and 90° Ells

Ells / Tees / Wyes



45° and 90° Ells

Part No.	Description	NSF Approved	Case Quantity	List (US \$)
411-2020	45° Street Ell – 1" S x 1" Spigot	x	50	4.03
411-4040	45° Street Ell – 1 1/2" S x 1 1/2" Spigot		140	5.37
411-5030	45° Street Ell – 2" S x 2" Spigot		90	6.71
411-2010	45° Ell – 1" S x 1" S	x	150	3.94
411-2200	45° Ell – 2" Spigot x 2" Spigot	x	80	7.07
411-2000	90° Street Ell – 1" S x 1" Spigot	x	50	2.76
411-4000	90° Street Ell – 1 1/2" S x 1 1/2" Spigot		130	4.67
411-5080	90° Street Ell – 2" S x 2" Spigot		60	5.99
411-4010	90° Ell – 1 1/2" S x 1 1/2" S	x	50	3.02
411-5040	90° Street Ell – 2" S x 2" Spigot x 1/2" FPT Left Side Outlet	x	60	11.70
411-5050	90° Street Ell – 2" S x 2" Spigot x 3/8" FPT Left Side Outlet		25	11.70
411-5550	90° Ell – 1 1/2" Spigot x 1 1/2" Spigot	x	50	4.67
411-2100	90° Ell – 2" Spigot x 2" Spigot	x	60	6.71
411-4050	90° Ell – 1 1/2" S x 1 1/2" Spigot x 1" S Side Outlet	x	25	6.71
411-5060	90° Street Ell – 1 1/2" S x 1 1/2" Spigot x 1/8" FPT Side Outlet	x	50	8.37
411-4080	90° Street Ell – 1 1/2" S x 1 1/2" Spigot x 1/2" S Outlet	x	50	6.52
411-9170	Ell – 2" S x 2" S x 3/4" SB		50	9.99
411-9180	Ell – 2 1/2" S x 2 1/2" S x 3/4" SB		30	12.79
413-2320	Wye 2 1/2" S x 2 1/2" S x 2 1/2" S @ 22.50 R1 20.06		15	20.60



411-6520



411-6540



417-6060



417-6080



417-6140



417-6150



417-6160

Hose Adapters					
Part No.	Description	Color	Case Weight	Case Quantity	List (US \$)
411-6520	Barb Ell - 1 1/2" MPT x 1 1/2" Hose	White	28.35 lbs.	140 (bulk)	5.20
411-6540	Smooth Ell - 1 1/2" MPT x 1 1/2" Hose	White	29.35 lbs.	150 (bulk)	5.20
417-6060	Hose Fitting Adapter - 1 1/2" MPT x 1/4" Hose	White	7.28 lbs.	70 (bulk)	2.53
417-6061	Hose Fitting Adapter - 1 1/2" MPT x 1/4" Hose	Black	7.28 lbs.	70 (bulk)	2.53
417-6067	Hose Fitting Adapter - 1 1/2" MPT x 1/4" Hose	Gray	7.37 lbs.	70 (bulk)	2.53
417-6080	Hose Fitting Adapter - 1 1/2" Spigot x 1/4" Hose	White	25.25 lbs.	230 (bulk)	2.40
417-6081	Hose Fitting Adapter - 1 1/2" Spigot x 1/4" Hose	Black	25.25 lbs.	230 (bulk)	2.40
417-6140	Male Smooth Adapter - 1 1/2" MPT x 1 1/2" Hose	White	24.47 lbs.	260 (bulk)	3.13
417-6141	Male Smooth Adapter - 1 1/2" MPT x 1 1/2" Hose	Black	24.47 lbs.	260 (bulk)	3.13
417-6147	Male Smooth Adapter - 1 1/2" MPT x 1 1/2" Hose	Gray	24.47 lbs.	260 (bulk)	3.13
417-6150	Male Barb Adapter - 1 1/2" MPT x 1 1/2" Hose	White	28.85 lbs.	270 (bulk)	3.13
417-6151	Male Barb Adapter - 1 1/2" MPT x 1 1/2" Hose	Black	28.85 lbs.	270 (bulk)	3.13
417-6157	Male Barb Adapter - 1 1/2" MPT x 1 1/2" Hose	Gray	28.85 lbs.	270 (bulk)	3.13
417-6160	Male Barb Adapter - 2" MPT x 1 1/2" Hose	White	51.15 lbs.	25 (bulk)	10.12
417-6161	Male Barb Adapter - 2" MPT x 1 1/2" Hose	Black	51.15 lbs.	25 (bulk)	10.12
417-6167	Male Barb Adapter - 2" MPT x 1 1/2" Hose	Gray	51.15 lbs.	25 (bulk)	10.12



Fittings / Return Wall Fittings



215-9170B



215-9880



215-9150



215-9890



400-9170



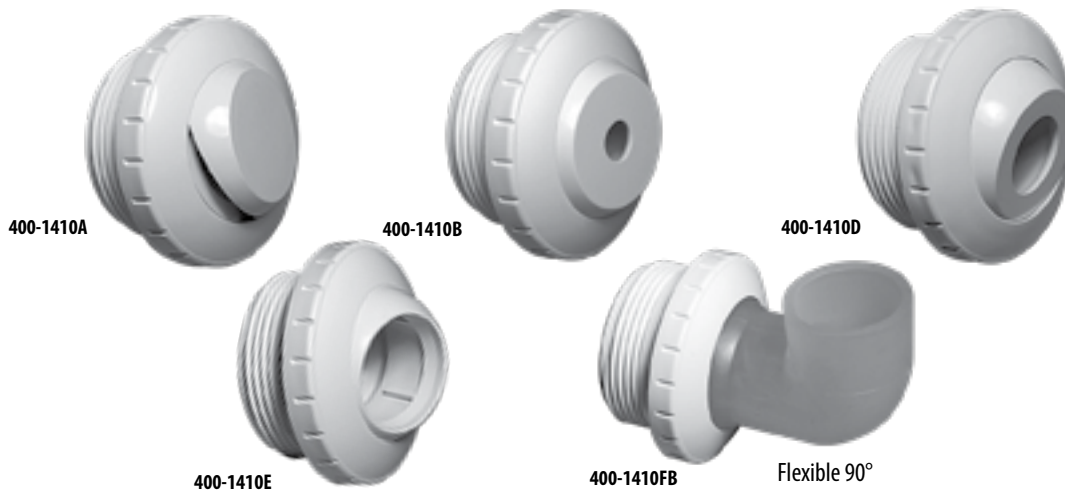
400-9150B

Return Wall Fittings

Part No.	Description	Color	Case Weight	Case Quantity	List (US \$)
215-9170B	Return Wall Fitting 1 1/2" FPT Thru	White	8 lbs.	50 (indiv.)	5.72
215-9170	Return Wall Fitting 1 1/2" FPT Thru	White	26.15 lbs.	200 (bulk)	5.04
215-9171	Return Wall Fitting 1 1/2" FPT Thru	Black	26.15 lbs.	200 (bulk)	5.56
215-9177	Return Wall Fitting 1 1/2" FPT Thru	Gray	26.15 lbs.	200 (bulk)	5.56
215-9179-DKG	Return Wall Fitting 1 1/2" FPT Thru	Dark Gray	26.15 lbs.	200 (bulk)	5.56
215-9179-BEI	Return Wall Fitting 1 1/2" FPT Thru	Beige	26.15 lbs.	200 (bulk)	5.56
215-9880	Return Wall Fitting 1 1/2" FPT x 1" S	White	30.05 lbs.	200 (bulk)	5.90
215-9881	Return Wall Fitting 1 1/2" FPT x 1" S	Black	30.05 lbs.	200 (bulk)	6.41
215-9887	Return Wall Fitting 1 1/2" FPT x 1" S	Gray	30.05 lbs.	200 (bulk)	6.41
215-9889-DKG	Return Wall Fitting 1 1/2" FPT x 1" S	Dark Gray	30.05 lbs.	200 (bulk)	6.41
215-9150B	Return Wall Fitting 1 1/2" FPT x 1 1/2" S	White	8 lbs.	50 (indiv.)	5.56
215-9150	Return Wall Fitting 1 1/2" FPT x 1 1/2" S	White	27.30 lbs.	200 (bulk)	5.04
215-9151	Return Wall Fitting 1 1/2" FPT x 1 1/2" S	Black	27.30 lbs.	200 (bulk)	5.56
215-9157	Return Wall Fitting 1 1/2" FPT x 1 1/2" S	Gray	27.30 lbs.	200 (bulk)	5.56
215-9159-DKG	Return Wall Fitting 1 1/2" FPT x 1 1/2" S	Dark Gray	27.30 lbs.	200 (bulk)	5.56
215-9159-BEI	Return Wall Fitting 1 1/2" FPT x 1 1/2" S	Beige	27.30 lbs.	200 (bulk)	5.56
215-9159-DKB	Return Wall Fitting 1 1/2" FPT x 1 1/2" S	Dark Blue	27.30 lbs.	200 (bulk)	5.56
215-9890	Return Wall Fitting 1 1/2" FPT x 2" Insider (fits inside 2" pipe)	White	5.47 lbs.	60 (bulk)	7.81
215-9891	Return Wall Fitting 1 1/2" FPT x 2" Insider (fits inside 2" pipe)	Black	5.47 lbs.	60 (bulk)	8.53
215-9897	Return Wall Fitting 1 1/2" FPT x 2" Insider (fits inside 2" pipe)	Gray	5.47 lbs.	60 (bulk)	8.53
215-9899-DKG	Return Wall Fitting 1 1/2" FPT x 2" Insider (fits inside 2" pipe)	Dark Gray	5.47 lbs.	60 (bulk)	8.53
400-9170B	Return Wall Fitting Assembly with Nut and Gasket 1 1/2" FPT Thru	White	13 lbs.	50 (indiv.)	11.28
400-9171B	Return Wall Fitting Assembly with Nut and Gasket 1 1/2" FPT Thru	Black	13 lbs.	50 (indiv.)	11.77
400-9177B	Return Wall Fitting Assembly with Nut and Gasket 1 1/2" FPT Thru	Gray	13 lbs.	50 (indiv.)	11.77
400-9170	Return Wall Fitting Assembly with Nut and Gasket 1 1/2" FPT Thru	White	12 lbs.	50 (bulk)	10.41
400-9171	Return Wall Fitting Assembly with Nut and Gasket 1 1/2" FPT Thru	Black	12 lbs.	50 (bulk)	10.92
400-9177	Return Wall Fitting Assembly with Nut and Gasket 1 1/2" FPT Thru	Gray	12 lbs.	50 (bulk)	10.92
400-9150B	Return Wall Fitting Assembly with Nut and Gasket 1 1/2" FPT x 1 1/2" S	White	13 lbs.	50 (indiv.)	11.28
400-9150	Return Wall Fitting Assembly with Nut and Gasket 1 1/2" FPT x 1 1/2" S	White	13 lbs.	50 (bulk)	10.41
400-9151	Return Wall Fitting Assembly with Nut and Gasket 1 1/2" FPT x 1 1/2" S	Black	13 lbs.	50 (bulk)	10.92
400-9157	Return Wall Fitting Assembly with Nut and Gasket 1 1/2" FPT x 1 1/2" S	Gray	13 lbs.	50 (bulk)	10.92



Fittings / Threaded Eyeball Fittings



Threaded Eyeball Fittings - 1 1/2" MPT

Part No.	Description	Color	Case Weight	Case Quantity	List (US \$)
400-1410AB	Slotted Eyeball Opening (<i>bagged</i>)	White	10.50 lbs.	100 (indiv.)	6.26
400-1417AB	Slotted Eyeball Opening (<i>bagged</i>)	Gray	10.50 lbs.	100 (indiv.)	7.45
400-1410A	Slotted Eyeball Opening	White	12.55 lbs.	125 (bulk)	5.56
400-1411A	Slotted Eyeball Opening	Black	12.55 lbs.	125 (bulk)	6.75
400-1417A	Slotted Eyeball Opening	Gray	12.55 lbs.	125 (bulk)	6.75
400-1419A-DK	Slotted Eyeball Opening	Dark Gray	12.55 lbs.	125 (bulk)	6.75
400-1410BB	3/8" Eyeball Opening (<i>bagged</i>)	White	10.75 lbs.	100 (indiv.)	5.56
400-1410B	3/8" Eyeball Opening	White	12.45 lbs.	125 (bulk)	4.85
400-1411B	3/8" Eyeball Opening	Black	12.45 lbs.	125 (bulk)	5.38
400-1417B	3/8" Eyeball Opening	Gray	12.45 lbs.	125 (bulk)	5.38
400-1419B-DK	3/8" Eyeball Opening	Dark Gray	12.45 lbs.	125 (bulk)	5.38
400-1410CB	1/2" Eyeball Opening (<i>bagged</i>)	White	10.70 lbs.	100 (indiv.)	5.56
400-1410C	1/2" Eyeball Opening	White	12.55 lbs.	125 (bulk)	4.85
400-1411C	1/2" Eyeball Opening	Black	12.55 lbs.	125 (bulk)	5.38
400-1417C	1/2" Eyeball Opening	Gray	12.55 lbs.	125 (bulk)	5.38
400-1419C-DK	1/2" Eyeball Opening	Dark Gray	12.55 lbs.	125 (bulk)	5.38
400-1410DB	3/4" Eyeball Opening (<i>bagged</i>)	White	10.35 lbs.	100 (indiv.)	5.56
400-1411DB	3/4" Eyeball Opening (<i>bagged</i>)	Black	10.35 lbs.	100 (indiv.)	6.10
400-1417DB	3/4" Eyeball Opening (<i>bagged</i>)	Gray	10.35 lbs.	100 (indiv.)	6.10
400-1410D	3/4" Eyeball Opening	White	11.65 lbs.	125 (bulk)	4.85
400-1411D	3/4" Eyeball Opening	Black	11.65 lbs.	125 (bulk)	5.38
400-1417D	3/4" Eyeball Opening	Gray	11.65 lbs.	125 (bulk)	5.38
400-1419D-DK	3/4" Eyeball Opening	Dark Gray	11.65 lbs.	125 (bulk)	5.38
400-1419D-BEI	3/4" Eyeball Opening	Beige	11.65 lbs.	125 (bulk)	5.38
400-1410EB	1" Eyeball Opening (<i>bagged</i>)	White	10.55 lbs.	100 (indiv.)	5.56
400-1411EB	1" Eyeball Opening (<i>bagged</i>)	Black	10.55 lbs.	100 (indiv.)	6.10
400-1417EB	1" Eyeball Opening (<i>bagged</i>)	Gray	10.55 lbs.	100 (indiv.)	6.10
400-1410E	1" Eyeball Opening	White	11.77 lbs.	125 (bulk)	4.85
400-1411E	1" Eyeball Opening	Black	11.77 lbs.	125 (bulk)	5.38
400-1417E	1" Eyeball Opening	Gray	11.77 lbs.	125 (bulk)	5.38
400-1419E-DK	1" Eyeball Opening	Dark Gray	11.77 lbs.	125 (bulk)	5.38
400-1419E-BEI	1" Eyeball Opening	Beige	11.77 lbs.	125 (bulk)	5.38
400-1419E-DKB	1" Eyeball Opening	Dark Blue	11.77 lbs.	125 (bulk)	6.32
400-1410FB	1" 90° Return Eye (<i>bagged</i>)	White	12 lbs.	125 (indiv.)	5.56
400-1410F	1" 90° Return Eye	White	9.05 lbs.	70 (bulk)	4.93



Fittings / Insert Inlet Eyeball Fitting & In-Floor Return



400-1420E

Available in:

- White
- Gray
- Dark Gray
- Black

Insert Inlet Eyeball Fittings - 1 1/2"

Part No.	Description	Color	Case Weight	Case Quantity	List (US \$)
400-1420DB	3/4" Eyeball Opening (<i>bagged</i>)	White	8 lbs.	75 (indiv.)	8.65
400-1420EB	1" Eyeball Opening (<i>bagged</i>)	White	7.7 lbs.	75 (indiv.)	8.65
400-1420D	3/4" Eyeball Opening	White	8.29 lbs.	75 (bulk)	7.97
400-1421D	3/4" Eyeball Opening	Black	8.29 lbs.	75 (bulk)	8.83
400-1427D	3/4" Eyeball Opening	Gray	8.29 lbs.	75 (bulk)	8.83
400-1429D-DK	3/4" Eyeball Opening	Dark Gray	8.14 lbs.	75 (bulk)	9.51
400-1420E	1" Eyeball Opening	White	8.36 lbs.	75 (bulk)	7.97
400-1421E	1" Eyeball Opening	Black	8.12 lbs.	75 (bulk)	8.83
400-1427E	1" Eyeball Opening	Gray	7.85 lbs.	75 (bulk)	8.83
400-1429E-DK	1" Eyeball Opening	Dark Gray	8.12 lbs.	75 (bulk)	8.83
400-1420A	Slotted Opening	White	8 lbs.	75 (bulk)	8.65
400-1427A	Slotted Opening	Gray	8 lbs.	75 (bulk)	9.51
400-1429A-DK	Slotted Opening	Dark Gray	8 lbs.	75 (bulk)	9.51



640-9000

FEATURES:

- Comes with 2" Socket and 1 1/2" Reducer Fitting

In-Floor Return

Part No.	Description	Color	List (US \$)
640-9000	Floor Return	White	35.97
640-9007	Floor Return	Gray	35.97



Fittings / Fiberglass Wall Fitting / Aerators / Vac Lock Fitting



400-8300



400-8310



400-8320



400-9470

Fiberglass Wall Fitting - Deep Socket

Part No.	Description	List (US \$)
400-8300	Fiberglass Wall Fitting, Deep Socket Adapter - HWD Version	8.39
400-8310	Fiberglass Wall Fitting with Eyeball, Deep Socket Adapter - HA Version	13.47
400-8320	Gasket Kit (can work with either kit)	3.02
400-9470	1 Pc Fiberglass Wall Fitting LG Third with Eyeball	12.13



217-0060

FRONT



BACK



715-1910

Aerators

Part No.	Color	Dimensions	Case Quantity	List (US \$)
715-1910	White	ø 1.62" W x 1.25" H	120 (bulk)	8.59
715-1911	Black	ø 1.62" W x 1.25" H	120 (bulk)	10.49
715-1917	Gray	ø 1.62" W x 1.25" H	120 (bulk)	10.49
217-0060	White	¾" Aerator Spray Nozzle	200	5.04



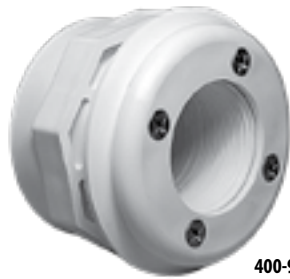
600-2201

Vac Lock Fittings

Part No.	Description	Color	Case Weight	Case Quantity	List (US \$)
600-2200	Vac Lock Fitting - 1 ½" MPT	White	9.57 lbs.	70	46.59
600-2201	Vac Lock Fitting - 1 ½" MPT	Black	9.57 lbs.	70	46.59
600-2207	Vac Lock Fitting - 1 ½" MPT	Gray	9.57 lbs.	70	46.59
600-2209-DKG	Vac Lock Fitting - 1 ½" MPT	Dark Gray	9.57 lbs.	70	46.59
600-2209-BEI	Vac Lock Fitting - 1 ½" MPT	Beige	9.57 lbs.	70	46.59



Fittings / Vinyl Liner Fittings & Vinyl Wall Fitting



400-9160B



218-1430



218-1440

In-Ground Pool Vinyl Liner Return Fittings

Part No.	Description	Color	Case Weight	Case Quantity	List (US \$)
400-9160B	Steel Wall Fitting Assembly with Combo Spacer/Locknut 1 1/2" FPT x 1 1/2" FPT	White	16 lbs.	25 (indiv.)	18.39
400-9161B	Steel Wall Fitting Assembly with Combo Spacer/Locknut 1 1/2" FPT x 1 1/2" FPT	Black	16 lbs.	25 (indiv.)	18.39
400-9167B	Steel Wall Fitting Assembly with Combo Spacer/Locknut 1 1/2" FPT x 1 1/2" FPT	Gray	16 lbs.	25 (indiv.)	18.39
400-9060B	Steel Wall Fitting Assembly with Combo Spacer/Locknut 1 1/2" FPT x 1 1/2" Socket	White	17.91 lbs.	25 (indiv.)	18.39
400-9061B	Steel Wall Fitting Assembly with Combo Spacer/Locknut 1 1/2" FPT x 1 1/2" Socket	Black	17.91 lbs.	25 (indiv.)	18.39
400-9067B	Steel Wall Fitting Assembly with Combo Spacer/Locknut 1 1/2" FPT x 1 1/2" Socket	Gray	17.91 lbs.	25 (indiv.)	18.39
218-1430	Faceplate For Steel Wall Vinyl Liner Wall Fitting with Fitting Assembly	White	26.75 lbs.	300	7.81
218-1431	Faceplate For Steel Wall Vinyl Liner Wall Fitting with Fitting Assembly	Black	26.75 lbs.	300	7.81
218-1437	Faceplate For Steel Wall Vinyl Liner Wall Fitting with Fitting Assembly	Gray	26.75 lbs.	300	7.81
218-1440	Wall Fitting Escutcheon	White	5.70 lbs.	200 (bulk)	3.13
218-1441	Wall Fitting Escutcheon	Black	5.70 lbs.	200 (bulk)	3.83
218-1447	Wall Fitting Escutcheon	Gray	5.70 lbs.	200 (bulk)	3.83
218-1449-DKG	Wall Fitting Escutcheon	Dark Gray	5.70 lbs.	200 (bulk)	3.83
218-1449-BEI	Wall Fitting Escutcheon	Beige	5.70 lbs.	200 (bulk)	3.83
218-1449-DKB	Wall Fitting Escutcheon	Dark Blue	5.70 lbs.	200 (bulk)	4.97
400-7390	V/L Return W/F 1 1/2" FPT x 2 3/4" Lngt W/F Combo Nut	White	21.40 lbs	25 (indiv.)	22.06



550-9340



550-9330

Above-Ground Pool Vinyl Liner Return Fittings

Part No.	Description	Color	Case Weight	Case Quantity	List (US \$)
550-9340	Deluxe Return Fitting Assembly 1" Eyeball	White	13.55 lbs.	30 (bulk)	19.44
550-9347	Deluxe Return Fitting Assembly 1" Eyeball	Gray	13.55 lbs.	30 (bulk)	19.44
550-9330	Deluxe Return Fitting Assembly 3/4" Eyeball	White	35.15 lbs.	80 (bulk)	19.44
550-9337	Deluxe Return Fitting Assembly 3/4" Eyeball	Gray	35.15 lbs.	80 (bulk)	19.44



400-9010B

In-Ground Pool Vinyl Wall Fitting - Concrete Poured Wall

Part No.	Description	Color	Case Wt.	Case Qty.	List (US \$)
400-9010B	Concrete Poured Wall 1 1/2" FPT x 1 1/4" Socket	White	12.31 lbs.	25	16.75



Fittings / Rotating Eyeball Fittings



400-1360



400-1300

Rotating Eyeball Fittings

Part No.	Description	Color	Case Weight	Case Quantity	List (US \$)
400-1360	Pulsator Eyeball Fitting 1 1/2" Insert Inlet	White	32.91 lbs.	80	30.33
400-1300	Pulsator Eyeball Assembly	White	5.52 lbs.	75 (indiv.)	30.36

FEATURES:

- Replaces directional eyeball fittings in spas
- Great For Therapy Massage Action!
- The Pulsator fits these wall fittings:
215-9150, 215-9170, 400-9190, 400-9160B



212-9170

Spa Rotating Therapy Massage Fittings

Part No.	Description	Color	Case Weight	Case Quantity	List (US \$)
212-9170	Pulsator - 1 1/2" MPT (fits 1 1/2" FPT wall fittings)	White	4.32 lbs.	50	32.08
212-9171	Pulsator - 1 1/2" MPT (fits 1 1/2" FPT wall fittings)	Black	4.32 lbs.	50	32.08
212-9177	Pulsator - 1 1/2" MPT (fits 1 1/2" FPT wall fittings)	Gray	4.32 lbs.	50	32.08
212-9179-BEI	Pulsator - 1 1/2" MPT (fits 1 1/2" FPT wall fittings)	Beige	4.32 lbs.	50	32.08
212-9179-DKG	Pulsator - 1 1/2" MPT (fits 1 1/2" FPT wall fittings)	Dark Gray	4.32 lbs.	50	32.08
210-3247	10 GPM Hand-Held Jet with Stainless Steel Trim - 1 1/2" MPT (fits 1 1/2" FPT)	Gray	11.07 lbs.	5	87.90



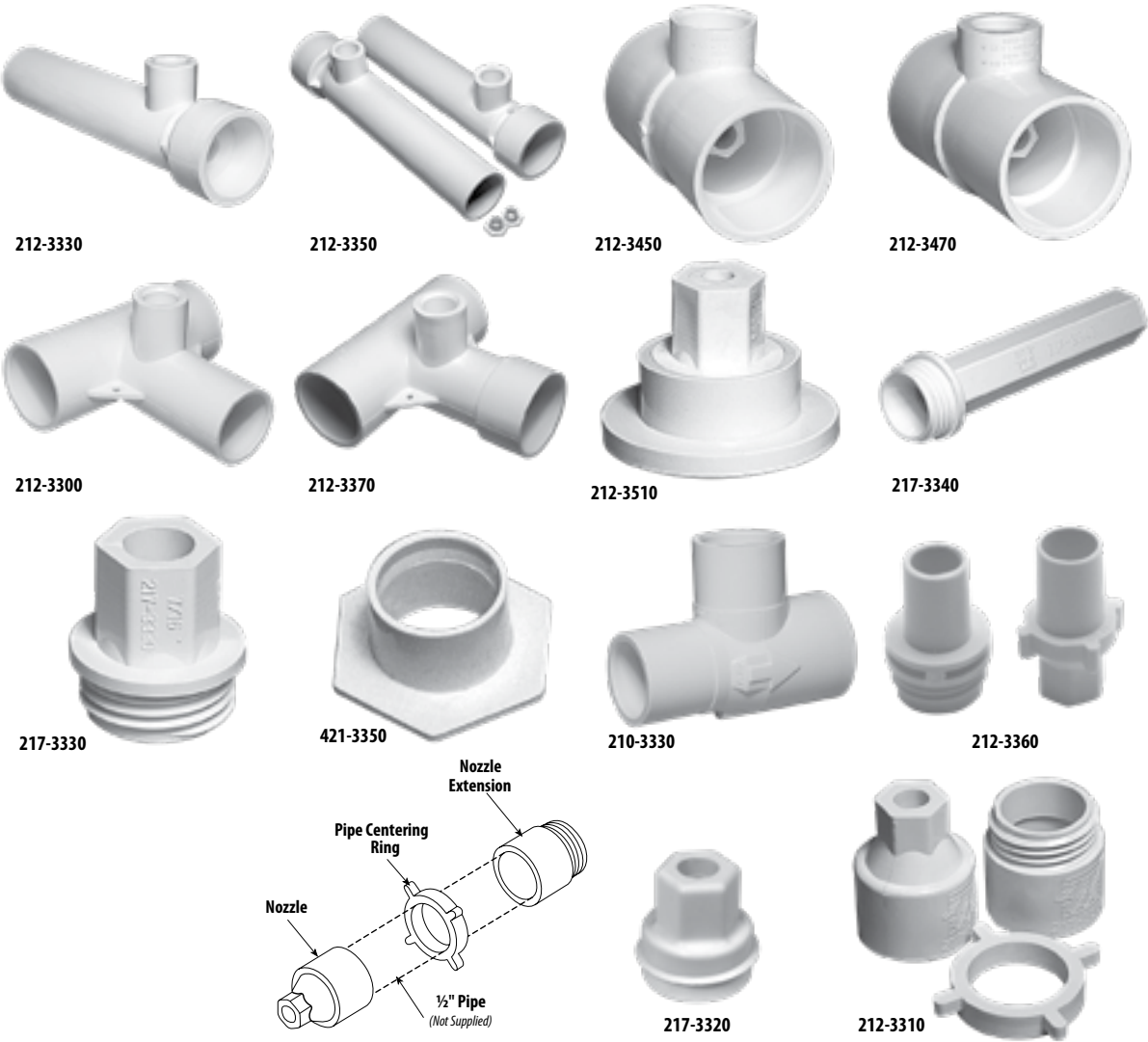
Fittings / Return Fittings



Return Fittings					
Part No.	Description	Color	Case Weight	Case Quantity	List (US \$)
400-9180	Econ 1" Return Fitting Insider Inlet <i>(fits inside 1" pipe)</i>	White	7.23 lbs.	100	7.11
400-9181	Econ 1" Return Fitting Insider Inlet <i>(fits inside 1" pipe)</i>	Black	7.23 lbs.	100	7.11
400-9187	Econ 1" Return Fitting Insider Inlet <i>(fits inside 1" pipe)</i>	Gray	7.23 lbs.	100	7.11
400-9189-DKG	Econ 1" Return Fitting Insider Inlet <i>(fits inside 1" pipe)</i>	Dark Gray	7.23 lbs.	100	7.11
400-9190	Flush Mount Return Fitting 1" Socket <i>(fits inside 1 1/2" pipe)</i>	White	16.13 lbs.	100 (bulk)	14.01
400-9191	Flush Mount Return Fitting 1" Socket <i>(fits inside 1 1/2" pipe)</i>	Black	16.13 lbs.	100 (bulk)	14.01
400-9197	Flush Mount Return Fitting 1" Socket <i>(fits inside 1 1/2" pipe)</i>	Gray	16.13 lbs.	100 (bulk)	14.01
400-9199-DKG	Flush Mount Return Fitting 1" Socket <i>(fits inside 1 1/2" pipe)</i>	Dark Gray	16.13 lbs.	100 (bulk)	14.01
400-9199-BEI	Flush Mount Return Fitting 1" Socket <i>(fits inside 1 1/2" pipe)</i>	Beige	16.13 lbs.	100 (bulk)	14.01
400-9190P	Flush Mount Return Fitting with Plaster Plug 1" Socket <i>(fits inside 1 1/2" pipe)</i>	White	27 lbs.	220 (bulk)	14.60
400-9191P	Flush Mount Return Fitting with Plaster Plug 1" Socket <i>(fits inside 1 1/2" pipe)</i>	Black	27 lbs.	220 (bulk)	14.60
400-9197P	Flush Mount Return Fitting with Plaster Plug 1" Socket <i>(fits inside 1 1/2" pipe)</i>	Gray	27 lbs.	220 (bulk)	14.60
400-9199P-DK	Flush Mount Return Fitting with Plaster Plug 1" Socket <i>(fits inside 1 1/2" pipe)</i>	Dark Gray	27 lbs.	220 (bulk)	14.60
400-9390	Flush Mount Return Fitting 1 1/2" Socket	White	38.95 lbs.	190	14.01
400-9397	Flush Mount Return Fitting 1 1/2" Socket	Gray	38.95 lbs.	190	14.01
400-9390P	Flush Mount Return Fitting with Plaster Plug 1 1/2" Socket	White	43.68 lbs.	180	14.54
400-9397P	Flush Mount Return Fitting with Plaster Plug 1 1/2" Socket	Gray	43.68 lbs.	180	14.54
550-9230	Self-Aligning Return Fitting 3/4" Eye <i>(fits inside 1 1/2" pipe)</i>	White	6.42 lbs.	100 (indiv.)	8.94
550-9231	Self-Aligning Return Fitting 3/4" Eye <i>(fits inside 1 1/2" pipe)</i>	Black	6.42 lbs.	100 (indiv.)	8.94
550-9237	Self-Aligning Return Fitting 3/4" Eye <i>(fits inside 1 1/2" pipe)</i>	Gray	6.42 lbs.	100 (indiv.)	8.94
550-9239-DKG	Self-Aligning Return Fitting 3/4" Eye <i>(fits inside 1 1/2" pipe)</i>	Dark Gray	6.42 lbs.	100 (indiv.)	8.94
550-9240	Self-Aligning Return Fitting 1" Eye <i>(fits inside 1 1/2" pipe)</i>	White	8 lbs.	100 (bulk)	8.94
550-9247	Self-Aligning Return Fitting 1" Eye <i>(fits inside 1 1/2" pipe)</i>	Gray	8 lbs.	100 (bulk)	8.94
550-9249-DKG	Self-Aligning Return Fitting 1" Eye <i>(fits inside 1 1/2" pipe)</i>	Dark Gray	8 lbs.	100 (bulk)	8.94



Gunite Jets / Gunite Venturi Tees



Gunite Jets

Gunite Venturi Tees

Part No.	Description	Orifice	GPM	Case Weight	Case Quantity	List (US \$)
212-3330*	10" Tee - 1 1/2" S x 1/2" S - 3/4" Spigot x 1 1/2" Spigot	7/16"	17-20	32 lbs.	50 (2/bag)	16.49
212-3340*	10" Tee - 1 1/2" S x 1/2" S - 1" Spigot x 1 1/2" Spigot	7/16"	17-20	32.26 lbs.	50 (2/bag)	16.49
212-3350*	10" Tee - 1 1/2" S x 1/2" S - 1" Spigot x 1 1/2" Spigot	5/16"	10-12	32 lbs.	50 (2/bag)	16.49
212-3440	Tee with Nozzle - 1 1/2" S / 2" Spigot x 3/4" S / 1" Spigot	7/16"	17-20	18.30 lbs.	50	6.39
212-3450	Tee with Nozzle - 1 1/2" S / 2" Spigot x 3/4" S / 1" Spigot	1/4"	7-9	18 lbs.	50	6.39
212-3470	Tee with Nozzle - 1 1/2" S / 2" Spigot x 1/2" S / 1" Spigot	7/16"	17-20	8 lbs.	50	6.39
212-3300	Gunite Double Tee Body Assembly - 1 1/2" Spigot	5/16"	10-12	27.18 lbs.	45	17.96
212-3360	Nozzle Extension Kit for #7 Tee	3/8"	14-16	5.82 lbs.	200	6.30
212-3370	Gunite Double Tee Body Assembly - 1 1/2" S	5/16"	10-12	24.77 lbs.	40	17.96
212-3500	Tee Jet Insert Assembly - 1/4"	1/4"	7-9	17.55 lbs.	50	9.01
212-3510	Tee Jet Insert Assembly - 7/16"	7/16"	17-20	17.55 lbs.	50	9.01
217-3340	4" Nozzle (included with 10" Tee)	7/16"	17-20	6.76 lbs.	125	2.61
217-3330	Venturi Tee Nozzle - 7/16"	7/16"	17-20	5.09 lbs.	400	2.11
217-3350	Venturi Tee Nozzle - 1/4"	1/4"	7-9	6.19 lbs.	400	2.11
421-3350	Orifice Reducer (fits inside 7/16" orifice)	3/8"	14-16	1.00 lbs.	300	0.71
210-3330	Venturi Tee #7 - 1" S x 1" Spigot - 3/4" S (#7 nozzle included - not sold separately)	3/8"	14-16	11.70 lbs.	70	4.45
217-3320	Gunite Venturi Tee Standard Nozzle - 5/16"	5/16"	--	16.93 lbs.	1250	2.11
212-3310	Nozzle Extension Kit (fits all Gunite Venturi Tees except #7 Tee)	5/16"	10-12	8.79 lbs.	180	6.30

*4" nozzle and 3/8" orifice reducer included



Gunite Jets / Hydro Spa Jets



210-4100



210-4120



210-4130

Hydro Gunite Spa Jets

Part No.	Description	Case Weight	Case Quantity	List (US \$)
210-4100	Hydro Gunite Jet Body - 1 1/2" S x 1 1/2" S x 2" FPT	28 lbs.	30	17.70
210-4110	Hydro Gunite Jet Body - 1 1/2" S x 1 1/2" S x 1 1/2" S	28.45 lbs.	30	17.70
210-4120	Directional Eye - 1 1/2" S x 1 1/2" S - White (also for fiberglass)	28 lbs.	50	27.44
210-4130	Roto Eye - 1 1/2" S x 1 1/2" S - White (also for fiberglass)	28 lbs.	24	54.71

For Return Fittings, see page 76.

Complete Tee Body Assembly - 210-3400



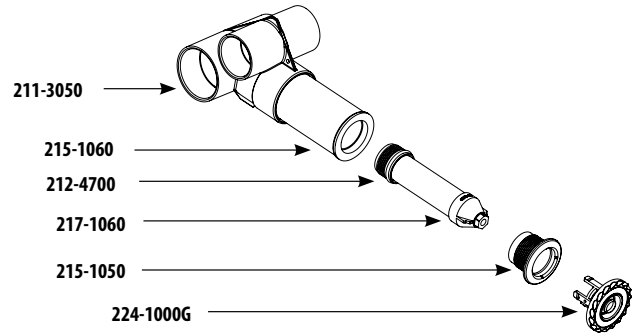
224-1000G



224-1040G



218-1500

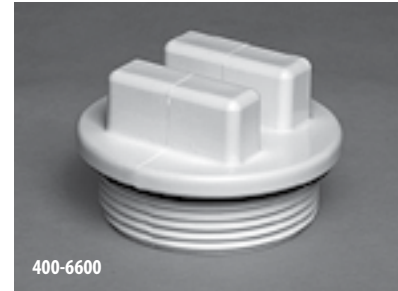
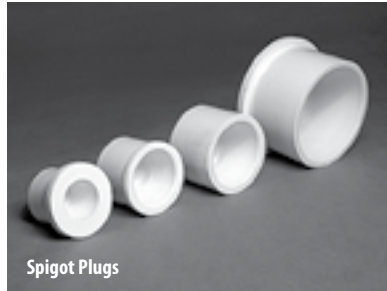


Mini Gunite Body Assembly

Part No.	Description	Color	Case Weight	Case Quantity	List (US \$)
210-3400	Complete Tee Body Assembly	White	22.74 lbs.	20	37.51
218-1500	Wrench - New Style Mini Jet with S.S Pins & Hex	White	21.42 lbs.	65	12.56
224-1040G	Gunite Pulsator M/J Eyeball Assembly	White	6.91 lbs.	100	19.54
211-3050	Tee Body Only - 2" S x 1 1/2" S	White	22.34 lbs.	25	17.17
215-1060	Gunite Wall Fitting	White	8.24 lbs.	150	6.27
212-4700	Gunite Retainer Ring with O-Ring	White	15.2 lbs.	500	3.97
217-1060	Gunite Nozzle	White	10.38 lbs.	500	3.13
215-1050	Eyeball Wall Fitting	White	30.05 lbs.	500	6.27

Mini Gunite Jet Internals

Part No.	Type	Style	Color	Case Quantity	List (US \$)
224-1000G	Directional	Scalloped	White	50	11.73
224-1001G	Directional	Scalloped	Black	50	11.73
224-1007G	Directional	Scalloped	Gray	50	11.73



Gunite Jets

Plugs, Grate Inserts, and Vac Lock Fittings

Part No.	Description	Color	Case Weight	Case Quantity	List (US \$)
715-0000	Plug - 1/2" Spigot	White	16.6 lbs.	800	1.19
715-9890	Plug - 3/4" Spigot	White	19.71 lbs.	600	1.23
715-2000	Plug - 1" Spigot	White	7.16 lbs.	200	1.30
715-4000	Plug - 1 1/2" Spigot	--	7.67 lbs.	100	2.01
715-9880	Plug - 2" Spigot	White	16.16 lbs.	100	2.64
400-4140	Flush Plug - 1 1/2" MPT with Gasket	White	6.16 lbs.	150 (indiv.)	2.87
400-4141	Flush Plug - 1 1/2" MPT with Gasket	Black	6.16 lbs.	150 (indiv.)	3.18
400-4147	Flush Plug - 1 1/2" MPT with Gasket	Gray	6.16 lbs.	150 (indiv.)	3.18
400-4149-BEI	Flush Plug - 1 1/2" MPT with Gasket	Beige	6.16 lbs.	150 (indiv.)	3.18
400-6600	Universal Plug - 1 1/2" MPT with O-Ring	White	9.32 lbs.	100 (indiv.)	2.87
400-6601	Universal Plug - 1 1/2" MPT with O-Ring	Black	9.32 lbs.	100 (indiv.)	2.87
400-6600-100	Universal Plug - 1 1/2" MPT with O-Ring	White	8.91 lbs.	100 (bulk)	2.87
400-6601-100	Universal Plug - 1 1/2" MPT with O-Ring	Black	8.91 lbs.	100 (bulk)	2.40
400-662xB	Drain Assy. - Universal Plug 1 1/2" MPT with O-Ring - Long Thread (New Style)	--	--	--	3.13
400-6650	Universal Plug - 2" NPT with O-Ring	White	12.44 lbs.	100	3.62
400-6651	Universal Plug - 2" NPT with O-Ring	Black	12.44 lbs.	100	3.62
715-1230	Plug - 1 1/2" NPT	White	14.42 lbs.	240 (bulk)	2.18
715-9910	Plug - 2" NPT	White	13.89 lbs.	150	2.75
602-3160*	Grate Insert - 1 1/2" MPT	White	3.69 lbs.	140	4.17
602-3161*	Grate Insert - 1 1/2" MPT	Black	3.69 lbs.	140	4.85
602-3167*	Grate Insert - 1 1/2" MPT	Gray	3.69 lbs.	140	4.85
602-3160B*	Grate Insert - 1 1/2" MPT	White	--	--	4.90
602-3161B*	Grate Insert - 1 1/2" MPT	Black	--	--	5.56
602-3167B*	Grate Insert - 1 1/2" MPT	Gray	--	--	5.68

* Do not use as a suction cover



Gunite Jets / Mini Storm Thread-In Gunite Jets

Gunite Jets

Directional / Twirl

Steady Stream / Stationary Eyeball



Roto

Adjustable Rotating Stream



Twin Roto

Rotating Dual Stream



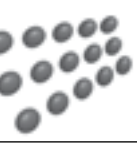
Pulse Massage

Pulsating Stream



Galaxy

Gentle Shower



Multi Massage

Multi-Shower



Rifled

Enhanced Steady Stream



Twister

Adjustable Rotating Stream



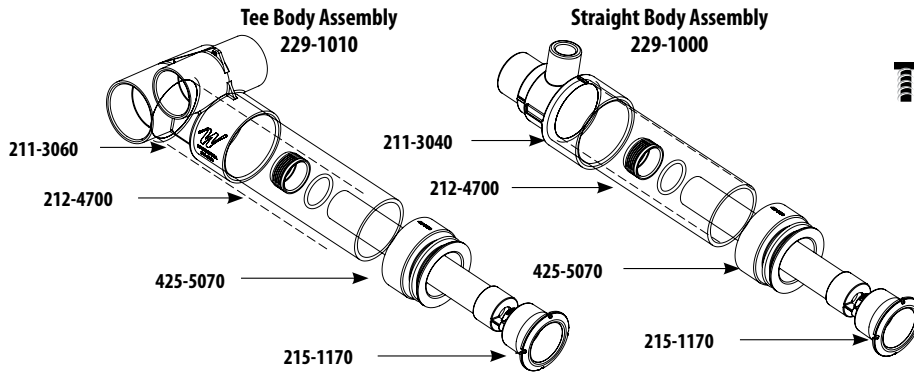
Acupressure

Pressure Ball



Shower

Pressure Ball



**Thread-in
Gunite
Jets**

Mini Storm Thread-In Spa Jets

Part No.	Description	Color	Case Weight	Case Qty	List (US \$)
229-1000	Mini Gunite Straight Body Assy. - 1/2" S, 1" SP x 1" S, 1/2" SP - Threaded Ring & Niche	White	32.08 lbs.	30	20.71
229-1010	Mini Gunite Tee Body Assy. - 1 1/2" S Air x 2" S Water - Threaded Ring & Niche	--	31.50 lbs.	30	20.71
215-1170	Wall Fitting - Mini Storm Gunite Threaded	--	4.04 lbs.	20	5.37
425-5070	Mini Gunite Jet Niche Adapter	White	7.93 lbs.	40	6.95
425-5071	Mini Gunite Jet Niche Adapter	Black	7.93 lbs.	40	6.95
425-5077	Mini Gunite Jet Niche Adapter	Gray	7.93 lbs.	40	6.95
211-3040	Mini Gunite Poly and Power Straight Jet Body - 1" Spigot x 1 1/2" Spigot	--	30.0 lbs.	50	16.39
211-3060	Mini Gunite Poly and Power Tee Jet Body - 1 1/2" Air x 2" Water	--	20.75 lbs.	50	16.39
212-4700	Gunite Retainer Ring Assembly (with O-ring)	--	15.2 lbs.	500	3.97

* 1" and 2 1/2" pipes not included

**Thread-in
Gunite
Jets**



Storm Jets - 5-Scallop

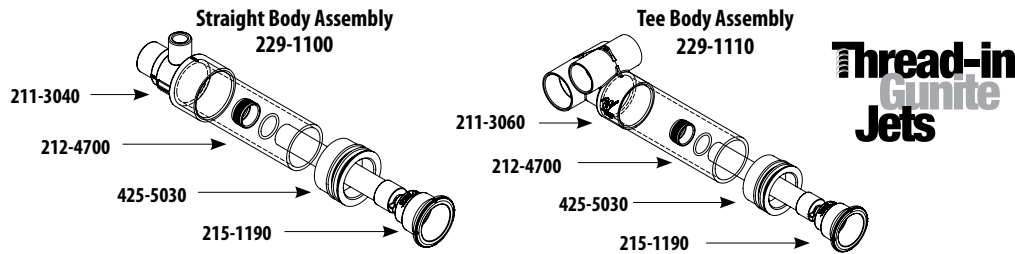
Part No.	Jet Type	Eyeball	Size	Style	Case Qty.	List (US \$)
229-7920	Mini-Storm	Directional	3"	Smooth	250	11.20
229-7930	Mini-Storm	Roto	3"	Smooth	250	14.02
229-7950	Mini-Storm	Twin Roto	3"	Smooth	250	15.03
229-0030	Mini-Storm	Pulse Massage	3"	Smooth	250	16.63
218-1960A	Air Pipe Measuring Tool	--	--	--	60	8.09

See our wide variety of Thread-in Spa Jets in the Spa section of our catalog pages 120-147

Products shown may be covered under patents US8458825, CA2644557, 5920925.



Gunite Jets / Poly Storm Thread-In Gunite Jets



Poly Storm Thread-In Gunite Body Assemblies

Part No.	Description	Color	Case Weight	Case Quantity	List (US \$)
229-1100	Straight Body Assembly - 1" Spigot Air x 1 1/2" Spigot Water - Niche	White	32.81 lbs.	30	23.01
229-1101	Straight Body Assembly - 1" Spigot Air x 1 1/2" Spigot Water - Niche	Black	32.81 lbs.	30	23.01
229-1107	Straight Body Assembly - 1" Spigot Air x 1 1/2" Spigot Water - Niche	Gray	32.81 lbs.	30	23.01
229-1110	Tee Body Assembly - 1 1/2" S Air x 2" S Water - Threaded Ring and Niche	White	22.67 lbs.	15	23.01
229-1111	Tee Body Assembly - 1 1/2" S Air x 2" S Water - Threaded Ring and Niche	Black	22.67 lbs.	15	23.01
229-1117	Tee Body Assembly - 1 1/2" S Air x 2" S Water - Threaded Ring and Niche	Gray	22.67 lbs.	15	23.01
211-3040	Straight Body Only	White	30.8 lbs.	50	16.39
211-3060	Tee Body Only	White	20.75 lbs.	20	16.39
212-4700	Threaded Retainer Ring with O-Ring	White	15.2 lbs.	500	3.97
425-5030	Poly Gunite Jet Niche Adapter	White	6.17 lbs.	30	6.95
215-1190	Wall Fitting	White	21.84 lbs.	100	5.37
215-1191	Wall Fitting	Black	21.84 lbs.	100	5.37
215-1197	Wall Fitting	Gray	21.84 lbs.	100	5.37

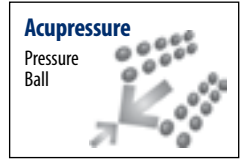
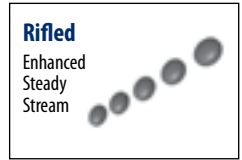
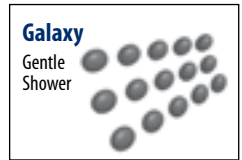
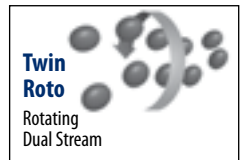
* 1" and 2 1/2" pipes not included



Poly Storm Gunite Jet Internals

Part No.	Type	Style	Color	Case Quantity	List (US \$)
229-8050	Directional	5-Scallop	White	130	14.74
229-8051	Directional	5-Scallop	Black	130	14.74
229-8057	Directional	5-Scallop	Gray	130	14.74
229-8051-DK	Directional	5-Scallop	Dark Gray	130	14.74
229-8051-BEI	Directional	5-Scallop	Beige	130	14.74
229-8010	Roto	5-Scallop	White	150	18.56
229-8011	Roto	5-Scallop	Black	150	18.56
229-8017	Roto	5-Scallop	Gray	150	18.56
229-8011-DK	Roto	5-Scallop	Dark Gray	150	18.56
229-8011-BEI	Roto	5-Scallop	Beige	150	18.56
229-8120	Twin Roto	5-Scallop	White	130	18.56
229-8121	Twin Roto	5-Scallop	Black	130	18.56
229-8127	Twin Roto	5-Scallop	Gray	130	18.56
229-8121-DK	Twin Roto	5-Scallop	Dark Gray	130	18.56
229-8121-BEI	Twin Roto	5-Scallop	Beige	130	18.56
229-8030	Pulse Massage	5-Scallop	White	130	21.13
229-8031	Pulse Massage	5-Scallop	Black	130	21.13
229-8037	Pulse Massage	5-Scallop	Gray	130	21.13
229-8031-DK	Pulse Massage	5-Scallop	Dark Gray	130	21.13
229-8031-BEI	Pulse Massage	5-Scallop	Beige	130	21.13

For 6-Spoke & Revo, refer to pages 138 -143. See our wide variety of Thread-In Spa Jets in the Spa section of our catalog on pages 120-147
 Products shown may be covered under patents US8458825, CA2644557, 5920925, D574964, D591863.

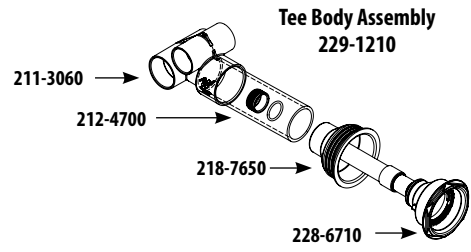
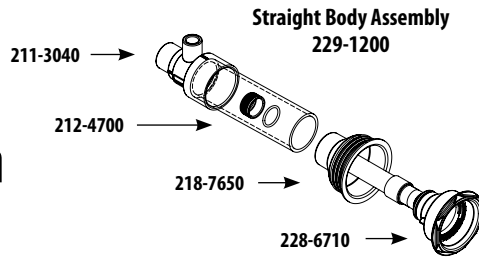


Gunite Jets



Gunite Jets / Power Storm Thread-In Gunite Jets

**Thread-in
Gunite
Jets**



Power Storm Thread-In Gunite Body Assemblies

Part No.	Description	Color	Case Weight	Case Quantity	List (US \$)
229-1200	Straight Body Assembly - 1" Spigot Air x 1 1/2" Spigot Water	White	24 lbs.	12	39.57
229-1210	Tee Body Assembly - 1 1/2" S Air x 2" S Water	White	24 lbs.	12	39.57
211-3040	Straight Body Only	White	30.8 lbs.	50	16.39
211-3060	Tee Body Only	White	20.75 lbs.	20	16.39
212-4700	Threaded Retainer Ring with O-Ring	White	15.2 lbs.	500	3.97
218-7650	Plaster Niche	White	17.34 lbs.	50	10.94
218-7657	Plaster Niche	Gray	17.34 lbs.	50	12.10
228-6710	Wall Fitting, Thread-in	White	20.8 lbs.	40	9.27

*1" and 2 1/2" pipes not included



Power Storm Thread-In Gunite Internals

Part No.	Type	Style	Color	Case Weight	Case Quantity	List (US \$)
229-6437G	Galaxy	5-Scallop	Gray	15 lbs.	50	35.68
229-7630G	Directional	5-Scallop	White	18 lbs.	50	18.56
229-7631G	Directional	5-Scallop	Black	18 lbs.	50	18.56
229-7637G	Directional	5-Scallop	Gray	18 lbs.	50	18.56
229-7600G	Roto	5-Scallop	White	20 lbs.	50	24.30
229-7601G	Roto	5-Scallop	Black	20 lbs.	50	24.30
229-7607G	Roto	5-Scallop	Gray	20 lbs.	50	24.30
229-7610G	Twin Roto	5-Scallop	White	20 lbs.	50	24.30
229-7611G	Twin Roto	5-Scallop	Black	20 lbs.	50	24.30
229-7617G	Twin Roto	5-Scallop	Gray	20 lbs.	50	24.30
229-7740G	Pulse Massage	5-Scallop	White	20 lbs.	50	35.68
229-7741G	Pulse Massage	5-Scallop	Black	20 lbs.	50	35.68
229-7747G	Pulse Massage	5-Scallop	Gray	20 lbs.	50	35.68
229-7757G	Hand-Held Jet - 10 GPM	5-Scallop	Gray	15.18 lbs.	10	136.28
218-1960A	Air Pipe Measuring Tool			7.03 lbs.	25	8.09

Products shown may be covered under patents US8458825, CA2644557, 5920925.

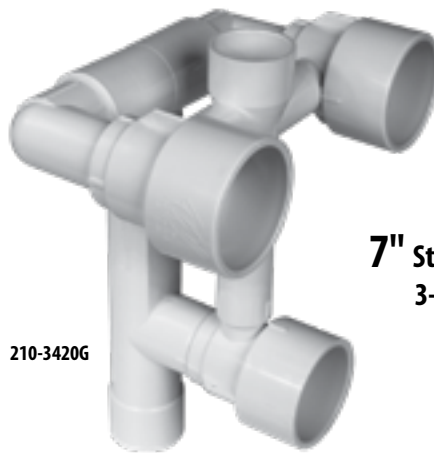


**Thread-in
Gunite
Jets**



210-3410G

**9" Deep Seat Gunite
3-Jet Manifold**



210-3420G

**7" Standard Seat Gunite
3-Jet Manifold**

- Pre-Plumbed Air and Water Connections: one connection for water and one for air for all three jets
- All three jet bodies accommodate Waterway's popular Poly Storm Gunite or Power Storm Gunite jets
- 2" Spigot fitting for water
- 1 1/2" S fitting for air
- Saves time and money



**SUGGESTED 3-JET MANIFOLD
JET PART NUMBERS**

(sold separately):

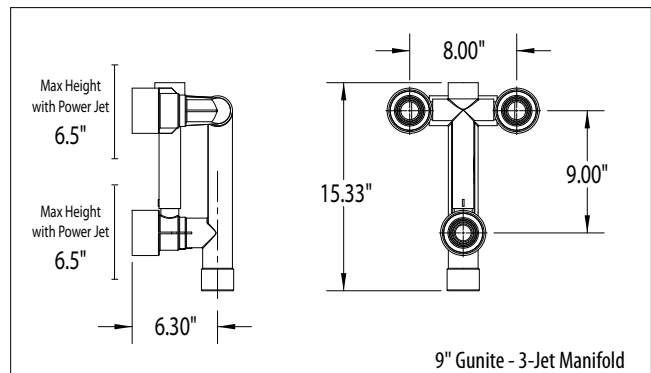
**2 Poly Storm Jets,
1 Power Storm Jet:**

3 Retainer Rings (212-4700), 2 Poly Wall Fittings (215-119x),

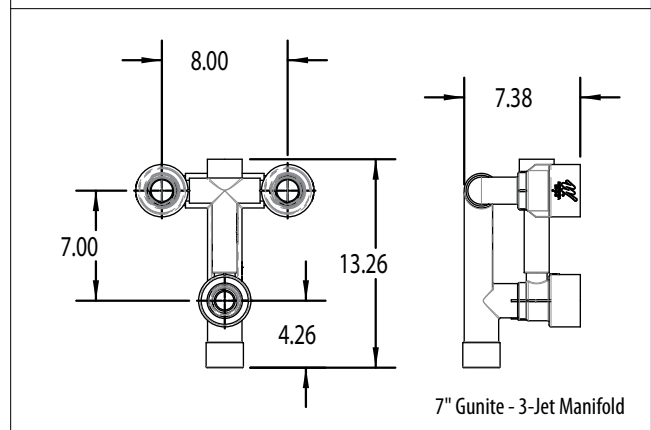
2 Poly Niches (425-503x)

1 Power Wall Fitting (228-671x), 1 Power Niche (218-765x)

Replace "x" with the color of your choice: White (0), Gray (7).



9" Gunite - 3-Jet Manifold



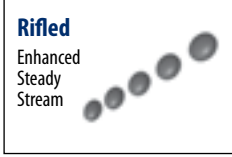
7" Gunite - 3-Jet Manifold

3-Jet Thread-In Manifold - Power Seat

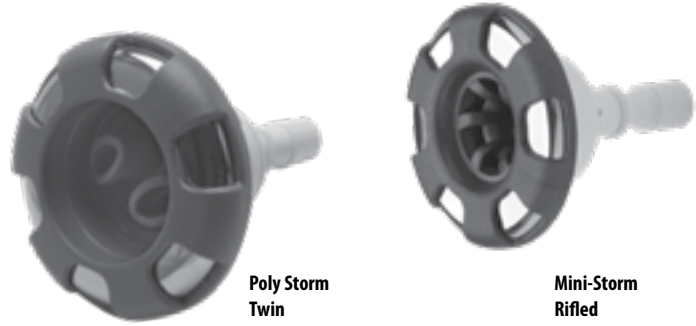
Part No.	Description	Color	Case Weight	Case Quantity	List (US \$)
210-3410G	9" Gunite Power Seat Kit - 3-Jet Manifold for Poly and Power Storm	White	15.22 lbs.	4	340.58
210-3420G	7" Gunite Power Seat Kit - 3-Jet Manifold for Poly and Power Storm	White	--	--	295.21



Gunite Jets / Thread-In Gunite Jets Internals 6 Spoke



Thread-in Gunite Jets



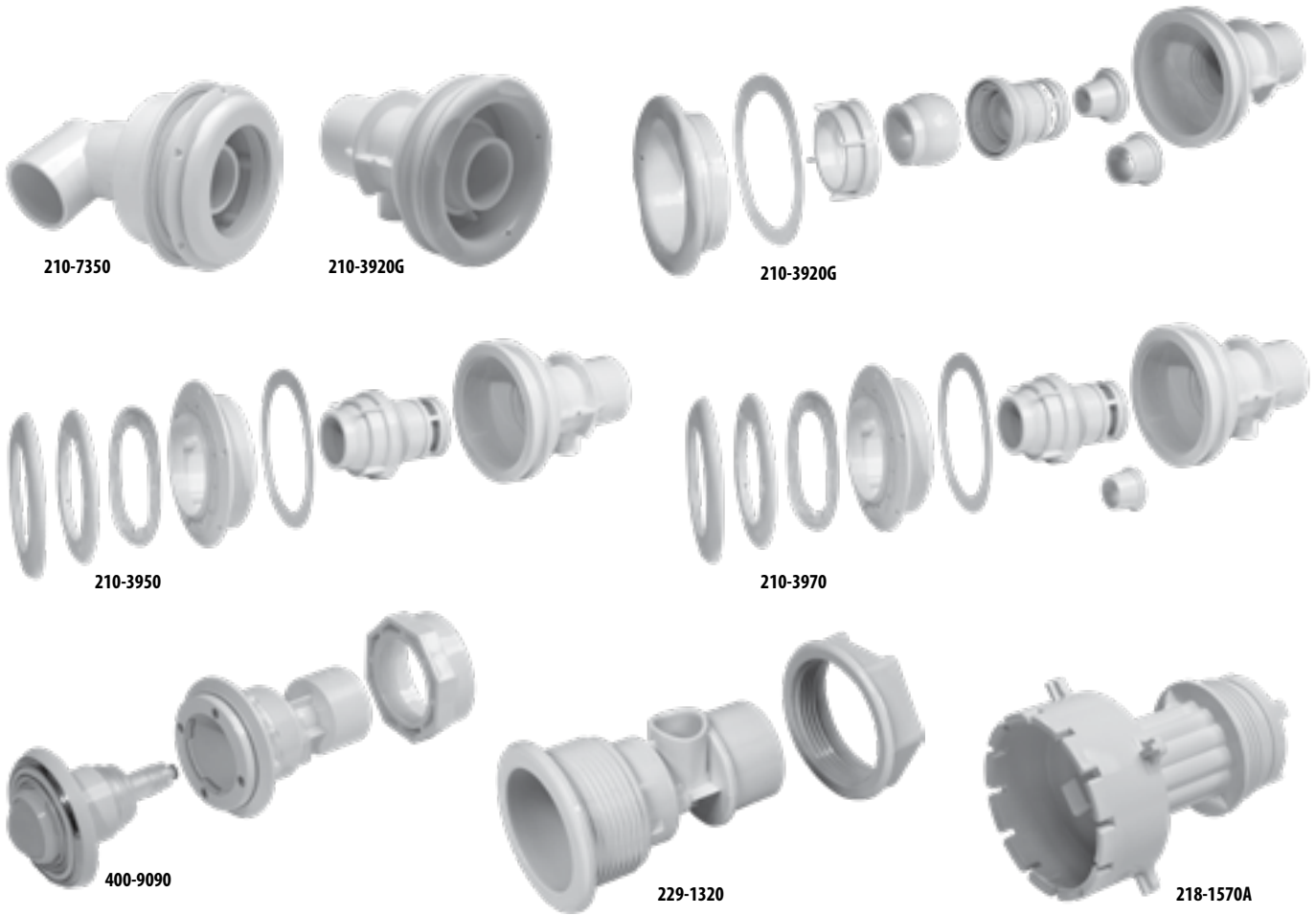
Power Storm Thread-In Gunite Internals

Part No.	Jet Type	Eyeball	Size	Style	Case Qty.	List (US \$)
229-8630S	Mini-Storm	Directional	3 5/16"	Plastic / Stainless Steel	180	20.61
229-8640S	Mini-Storm	Roto	3 5/16"	Plastic / Stainless Steel	200	24.96
229-8650S	Mini-Storm	Twin Roto	3 5/16"	Plastic / Stainless Steel	200	24.96
229-8660S	Mini-Storm	Pulse Massage	3 5/16"	Plastic / Stainless Steel	200	26.55
229-8670S	Mini-Storm	Galaxy	3 5/16"	Plastic / Stainless Steel	200	21.13
229-8700S	Mini-Storm	Multi-Massage	3 5/16"	Plastic / Stainless Steel	200	21.13
229-0180S	Mini-Storm	Rifled	3 5/16"	Plastic / Stainless Steel	180	36.67
229-9520S	Mini-Storm	Twister	3 5/16"	Plastic / Stainless Steel	180	24.96
229-8590S	Poly Storm	Directional	3 5/8"	Plastic / Stainless Steel	100	30.09
229-8570S	Poly Storm	Roto	3 5/8"	Plastic / Stainless Steel	100	33.91
229-8580S	Poly Storm	Twin Roto	3 5/8"	Plastic / Stainless Steel	100	33.91
229-3200S	Poly Storm	Pulse Massage	3 5/8"	Plastic / Stainless Steel	100	36.47
229-3210S	Poly Storm	Galaxy	3 5/8"	Plastic / Stainless Steel	100	29.90
229-3220S	Poly Storm	Galaxy Massage	3 5/8"	Plastic / Stainless Steel	100	36.47
229-3240S	Poly Storm	Multi-Massage	3 5/8"	Plastic / Stainless Steel	100	30.09
224-5710S	Poly Storm	Acupressure	3 5/8"	Plastic / Stainless Steel	65	33.91
229-1930S	Poly Storm	Rifled	3 5/8"	Plastic / Stainless Steel	100	30.09
229-9620S	Poly Storm	Twister	3 5/8"	Plastic / Stainless Steel	100	33.91
229-7570SG	Power Storm	Directional	5 1/4"	Plastic / Stainless Steel	45	35.21
229-7580SG	Power Storm	Twirl	5 1/4"	Plastic / Stainless Steel	45	35.21
229-7550SG	Power Storm	Roto	5 1/4"	Plastic / Stainless Steel	45	40.95
229-7560SG	Power Storm	Twin Roto	5 1/4"	Plastic / Stainless Steel	45	40.94
229-7590SG	Power Storm	Pulse Massage	5 1/4"	Plastic / Stainless Steel	45	46.06
229-7250SG	Power Storm	Multi-Massage	5 1/4"	Plastic / Stainless Steel	45	35.21
224-6700S	Power Storm	Acupressure	5 1/4"	Plastic / Stainless Steel	45	40.94
229-7700SG	Power Storm	Twister	5 1/4"	Plastic / Stainless Steel	45	40.94
229-1980SG	Power Storm	Rifled	5 1/4"	Plastic / Stainless Steel	45	35.21

Note: All part numbers are for the new thread-in style jet internals
 • To order snap-in internals; change the part number prefix to 212-xxxx

All 6-Spoke Storm Jets are available as Plastic / Stainless Steel or Two-Tone Plastic. Please call for Two-Tone Plastic part numbers and colors.

See our wide variety of Thread-in Spa Jets in the Spa section of our catalog pages 120-147



Gunite Old Faithful Jet

Part No.	Description	Color	Case Weight	Case Quantity	List (US \$)
210-3920G	O/F Dir Strt Gunite - 2" S x 1/2" SW - 175 GPM & 90 GPM	White	10.35 lbs.	6	45.95
210-7350	O/F Vinyl Liner - 90° Body - 2" S x 1/2" SW - 175 GPM & 90 GPM	White	10.35 lbs.	6	51.86

**Note: Replace the final x in the part number with the color of your choice, "x" = 0 - white, 1 - black, 7 - gray*

Vinyl Liner Old Faithful Jet

Part No.	Description	Color	Case Weight	Case Quantity	List (US \$)
210-3950	O/F Vinyl Liner - 90° Body - 2" S x 1/2" SW - 175 GPM & 90 GPM	White	30.05 lbs.	500	67.62
210-3970	O/F Vinyl Liner - 2" S x 1/2" SW - 175 GPM & 90 GPM	White	30.05 lbs.	500	77.62

**Note: Replace the final x in the part number with the color of your choice, "x" = 0 - white, 1 - black, 7 - gray*

Vinyl Liner Poly Storm Body

Part No.	Description	Color	Case Weight	Case Quantity	List (US \$)
400-9090	Vinyl Liner Poly Storm Body - Threaded 1/2" S x 1-1/2" S (insert not included)	White	30.51 lbs.	50	29.90

**Note: Replace the final x in the part number with the color of your choice, "x" = 0 - white, 1 - black, 7 - gray*

**Note: Poly Internals available on pgs. 81, 84, 116-143*

Fiberglass Poly Storm Body

Part No.	Description	Color	Case Weight	Case Quantity	List (US \$)
229-1320	Fiberglass Poly Storm Body 1/2" S x 1-1/2" Spg	White	--	--	14.60

**Note: Replace the final x in the part number with the color of your choice, "x" = 0 - white, 1 - black, 7 - gray*

**Note: Poly Internals available on pgs. 81, 84, 116-143*

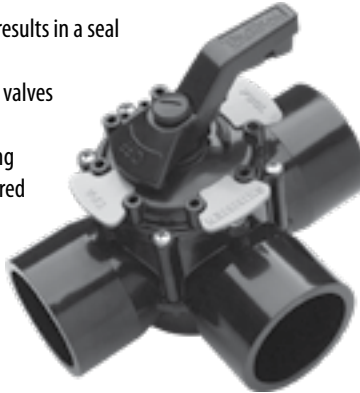


Pool Valves / TruSeal Diverter Valves / Swing Check Valves / 3" Check Valve

Waterway positive seal diverter valves have been designed for the most demanding applications. The TruSeal Valve is loaded with features and there is not a longer warranty in the industry.

FEATURES:

- Diverter valve seal is Teflon laminated silicone
- Unique manufacturing process called TruSeal results in a seal that never needs lubrication
- TruSeal Valves have deeper sockets than other valves providing better glue joint bonding
- The exclusive Click & Lock handle has 72 locking positions / points for virtually any setting desired
- Exclusive Flow Labels gives your plumbing a professional look and more value
- Universal shaft spline pattern adapts to most actuators
- Waterway manufacturers all TruSeal Diverter Valves in the USA
- Valve Seal Lifetime Warranty



600-0401



600-7100-CPVC



600-0451-CPVC

TruSeal Diverter Valves

Part No.	Description	List (US \$)
600-0401	3-Way - 2 1/2" Socket x 3" Spigot	127.26
600-7100-CPVC	3-Way - 2" Socket x 2 1/2" Spigot - CPVC	111.17
600-7200-CPVC	3-Way - 1 1/2" Socket x 2" Spigot - CPVC	107.91
600-7060-CPVC	2-Way Straight - 2" Socket x 2 1/2" Spigot - CPVC	99.75
600-7070-CPVC	2-Way Straight - 1 1/2" Socket x 2" Spigot - CPVC	96.46
600-7040-CPVC	2-Way 90° - 2" Socket x 2 1/2" Spigot - CPVC	99.75
600-7050-CPVC	2-Way 90° - 1 1/2" Socket x 2" Spigot - CPVC	96.46
600-0451	2-Way - 2.5" Socket x 3" Spigot - CPVC	113.33

Waterway Check Valves have a clear lid with union lock ring and a bright seal flapper for easy inspection and quick access. The Waterway Check Valves have the swing design to be used for both return and intake water. CPVC Hi-Temp plastic body which features deeper sockets than others for better glue joints, and is available in a straight body or 90° style.

FEATURES:

- Union Lock Ring allows for easy access - no screw holes to strip out (excludes 600-0111)
- Seal flapper is made of hi-tech thermoplastic polymer
- Corrosion proof pin and stainless steel spring
- Reversible flow
- CPVC body for most demanding applications
- Low Back Pressure and High Flow characteristics make it perfect for hydraulically demanding applications



3" TruSeal Check Valve
600-0111



600-7000



600-7010



Waterway's NEW 3" TruSeal Check Valve has a clear lid with union lock ring and bright blue seal flapper for quick access and easy inspection. The spring/swing design can be used for both return and intake water. CPVC Hi-Temp plastic bodies features deeper sockets for better glue joints.

TruSeal Swing Check Valves & 3" Check Valve

Part No.	Description	Case Weight (lbs.)	Case Quantity	List (US \$)
600-7010	2" Socket x 2 1/2" Spigot - Straight Body - CPVC	33.60	20	79.16
600-7030	1 1/2" Socket x 2" Spigot - Straight Body - CPVC	30.08	20	76.06
600-7000	2" Socket x 2 1/2" Spigot - 90° Body - CPVC	23.09	18	79.16
600-7020	1 1/2" Socket x 2" Spigot - 90° Body - CPVC	23.09	18	76.06
600-0111	2 1/2"S / 3" Spigot x 2 1/2"S / 3 SPG - ASSY	12.82	--	99.53



Pool Valves / Top-Mount Sand Filter Valves

FEATURES:

- Durable ABS body
- 7 functions:
 1. Filter
 2. Waste
 3. Backwash
 4. Recirculate
 5. Winterize
 6. Rinse
 7. Closed
- Collar Style retrofits standard sand filter bodies



Collar Style
(WVS002)



Split-Nut Style
(WVS003)

Easy-glide action and lock-in-place handle simplifies filter maintenance. These valves feature 7 functions with hose fitting for waste water.

Top Mount Sand Filter Valves

Part No.	Description	Weight (lbs.)	List (US \$)
WVS002	1 1/2" Top-Mount 7-Function Sand Filter Valve - Collar Style (Previous to 2002)	6	171.14
WVS003	1 1/2" Top-Mount 7-Function Sand Filter Valve - Split-Nut Style (2002 to Present)	7	171.14



WARNING

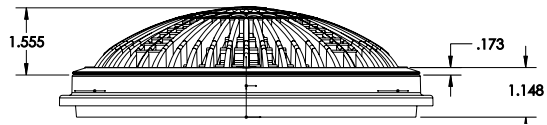
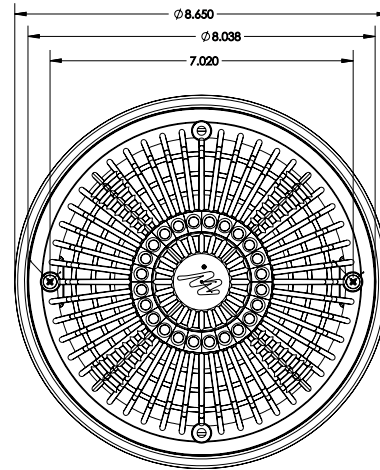
Read and follow all instructions in the Owner's Manual for the equipment.
Failure to follow instructions can cause injury and/or death.



All Waterway Drains, Grates and Suctions are Listed and Certified and Tested in strict accordance to the requirements of ASME A112.19.8-2007 and ASME A112.19.8a-2008 (as defined in CPSC letter dated April 8, 2011). Compliant to the latest Consumer Safety Product Commission Requirements (CPSC).



640-1800 V



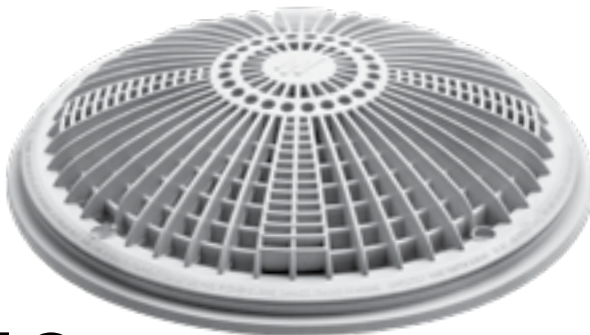
SPECIFICATIONS:

- Total Open Area: 14.8 sq. in.
- Frame Size: 8" Round
- Floor Flow Rate: 153 GPM @ 2.72 ft/sec
- Wall Flow Rate: 96 GPM @ 1.73 ft/sec
- Flow Rate @ 1.5 ft/sec: 68 GPM

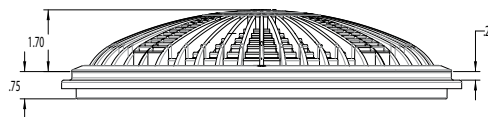
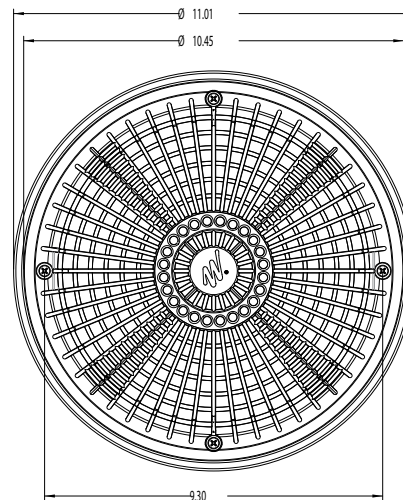
Tru Flo 8" Covers and Frames

Part No.	Description	Case Weight	Case Quantity	List (US \$)
640-180x V	8" Tru Flo Cover & Frame	25.88 lbs.	25	23.07

Replace the final x in the part number with the color of your choice (see page 4 for colors)



640-1900 V



SPECIFICATIONS:

- Total Open Area: 30.9 sq.
- Frame Size: 10" Round
- Floor Flow Rate: 200GPM @ 4.04 ft/sec
- Wall Flow Rate: 136 GPM @ 2.24 ft/sec
- Flow Rate @ 1.5 ft/sec: 143 GPM

Tru Flo 10" Covers and Frames

Part No.	Description	Case Weight	Case Quantity	List (US \$)
640-190x V	10" Tru Flo Cover & Frame	22.75 lbs.	15	44.97

Replace the final x in the part number with the color of your choice (see page 4 for colors)

Drains / Suctions



Drains & Suctions / 10" Ultra Retro Drains



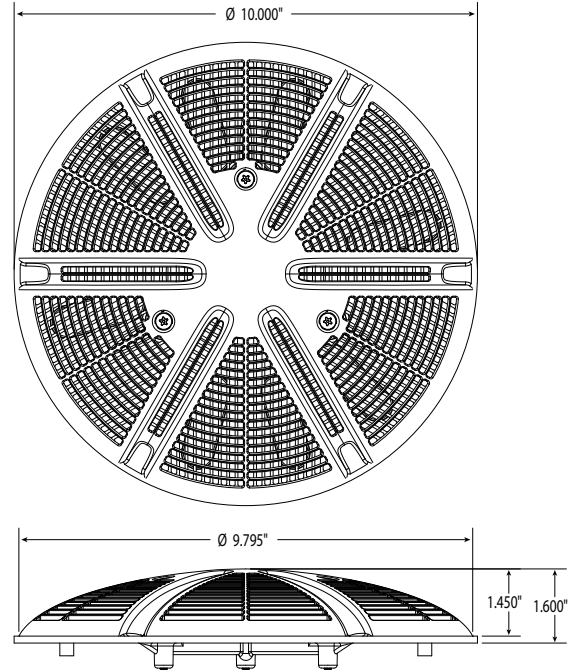
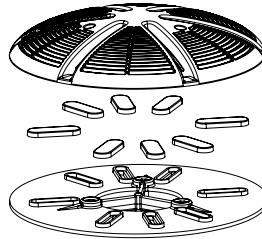
640-2130 V

VGB
2008

NSF

SPECIFICATIONS:

- Total Open Area: 20.4 sq. in.
- Frame Size: 10" Round
- Floor Flow Rate: 224 GPM @ 3.53 ft/sec
- Wall Flow Rate: 192 GPM @ 3.03 ft/sec
- Flow Rate @ 1.5 ft/sec: 95 GPM



10" Ultra-Retro Drains

Part No.	Description	Case Weight	Case Quantity	List (US \$)
640-213xV	10" Ultra-Retro Drain Suction Outlet	1.91 lbs.	1	93.80

Replace the final x in the part number with the color of your choice (see page 4 for colors).



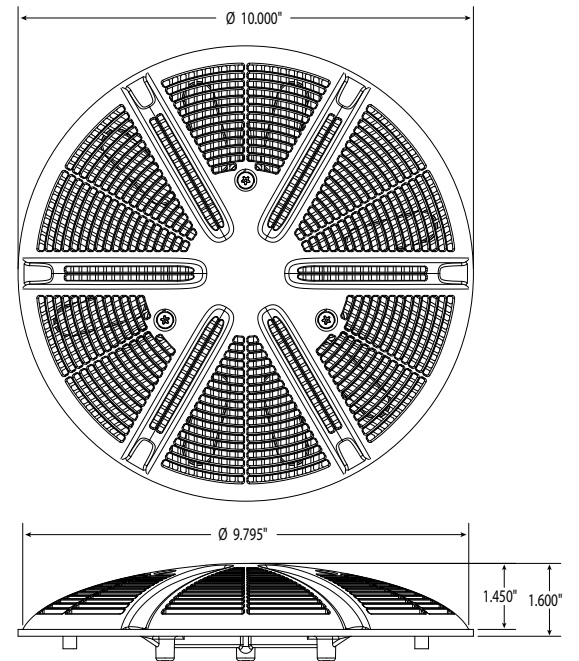
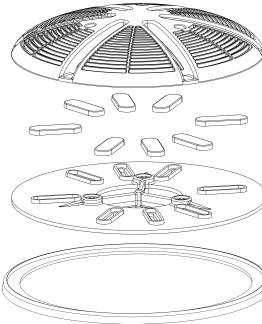
640-2140 V

VGB
2008

NSF

SPECIFICATIONS:

- Total Open Area: 20.4 sq. in.
- Frame Size: 10" Round
- Floor Flow Rate: 224 GPM @ 3.53 ft/sec
- Wall Flow Rate: 192 GPM @ 3.03 ft/sec
- Flow Rate @ 1.5 ft/sec: 95 GPM



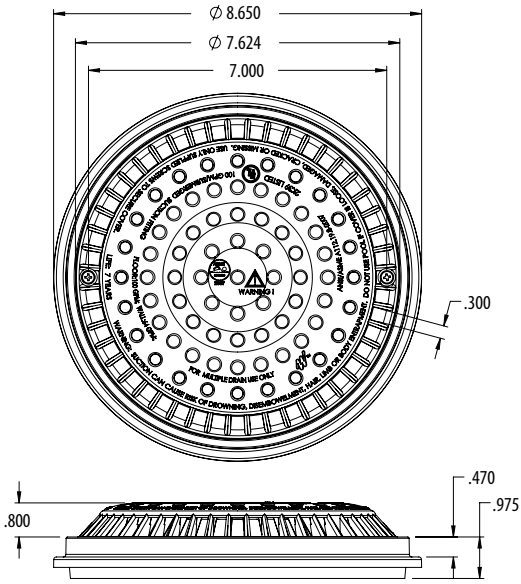
10" Ultra-Retro Drains - Vinyl

Part No.	Description	Case Weight	Case Quantity	List (US \$)
640-214xV	10" Ultra-Retro Drain Suction Outlet - Vinyl	2.08 lbs.	1	93.80

Replace the final x in the part number with the color of your choice (see page 4 for colors)



640-2310 V



SPECIFICATIONS:

- Total Open Area: 11.83 sq. in.
- Frame Size: 9" Round
- Floor Flow Rate: 100 GPM @ 2.72 ft/sec
- Wall Flow Rate: 64 GPM @ 1.73 ft/sec
- Flow Rate @ 1.5 ft/sec: 55 GPM

Drains / Suctions

8" Covers and Frames

Part No.	Description	Case Weight	Case Quantity	List (US \$)
640-231xV	8" Anti-Vortex Cover & Frame	18.82 lbs.	25	23.54

Replace the final x in the part number with the color of your choice (see page 4 for colors).

FEATURES:

- Improves flow
- Less turbulence
- Optimizes performance



Sanitary Tee

Part No.	Description	Case Quantity	List (US \$)
413-2320	2 1/2" x 2 1/2" x 2 1/2"	15	20.60



Drains & Suctions / Concrete Sump Bodies & Assemblies



674-2410



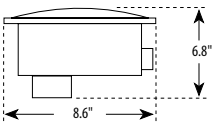
674-2500



640-8500 V



Note: Always use two or more drains per pump.



SIDE x BOTTOM

Concrete Bodies and Assemblies - Side x Bottom w/ Plugs

Part No.	Description	Case Quantity	List (US \$)
674-2410	8" Sump Body - Concrete - 1 1/2" S	3	42.53
674-2500	8" Sump Body - Concrete - 2" FPT	1	42.53
674-2510	8" Sump Body - Concrete - 2" S	7	42.53
640-8300 V	8" Sump Assembly - Concrete - 1 1/2" S - with 8" Tru Flo Drain Cover	1	45.62
640-8500 V	8" Sump Assembly - Concrete - 2" S - with 8" Tru Flo Drain Cover	1	45.62
640-8700 V	8" Sump Assembly - Concrete - 2" FPT - with 8" Tru Flo Drain Cover	8	45.62

Replace the final x in the part number with the color of your choice (see page 4 for colors).

FEATURES:

- Meets Florida Building Code
- 8" diameter x 7" deep (8") (plus sockets)



674-2600



640-2400 V



674-2900



Note: Always use two or more drains per pump.

Deep Sump Bodies and Assemblies - Side x Bottom w/ Plugs

Part No.	Description	Case Quantity	List (US \$)
674-2610	8" Deep Sump Body - Concrete - 2 1/2" S	1	59.53
674-2600	8" Deep Sump Body - Concrete - 2 1/2" FPT	1	59.53
640-2410 V	8" Deep Sump - 2 1/2" S - Grated A/V	1	83.07
640-7410 V	8" Deep Sump Assembly - Concrete - 2 1/2" S - with 8" Tru Flo Drain Cover	1	83.07
640-7400 V	8" Deep Sump Assembly - Concrete - 2 1/2" FPT - with 8" Tru Flo Drain Cover	1	83.07
674-2710	10" Deep Sump Body - Concrete - 2 1/2" S	1	113.09
674-2700	10" Deep Sump Body - Concrete - 2 1/2" FPT	1	113.09
674-2910	10" Deep Sump Body - Concrete - 3" S	1	124.40
674-2900	10" Deep Sump Body - Concrete - 3" FPT	1	124.40
640-7510 V	10" Deep Sump Assembly - Concrete - 2 1/2" S - with 10" Tru Flo Drain Cover	1	171.12
640-7500 V	10" Deep Sump Assembly - Concrete - 2 1/2" FPT - with 10" Tru Flo Drain Cover	1	171.43
640-7610 V	10" Deep Sump Assembly - Concrete - 3" S - with 10" Tru Flo Drain Cover	1	181.02
640-7600 V	10" Deep Sump Assembly - Concrete - 3" FPT - with 10" Tru Flo Drain Cover	1	181.02

Replace the final x in the part number with the color of your choice (see page 4 for colors)



Drains & Suctions / Vinyl Liner Sump Bodies & Assemblies



674-2430



674-2530



640-8400 V

Vinyl Liner Sump Bodies & Assemblies - Side x Bottom w/ plugs

Part No.	Description	Case Quantity	List (US \$)
674-2430	8" Sump Body - Vinyl - 1 1/2" S	1	42.53
674-2420	8" Sump Body - Vinyl - 1 1/2" FPT	1	42.53
674-2520	8" Sump Body - Vinyl - 2" S	1	42.53
674-2530	8" Sump Body - Vinyl - 2" FPT	1	42.53
640-8400 V	8" Sump Assembly - Vinyl - 1 1/2" S - with 8" Tru Flo Drain Cover	1	57.41
640-8600 V	8" Sump Assembly - Vinyl - 1 1/2" FPT - with 8" Tru Flo Drain Cover	1	57.41
640-8800 V	8" Sump Assembly - Vinyl - 2" S - with 8" Tru Flo Drain Cover	1	57.41
640-8900 V	8" Sump Assembly - Vinyl - 2" FPT - with 8" Tru Flo Drain Cover	1	57.41
640-226XV	8" Sump Assembly - Vinyl Liner Tru Flo Cover Kit	1	45.68



Note: Always use two or more drains per pump.

Replace the final x in the part number with the color of your choice (see page 4 for colors)



674-2620

FEATURES:

- Meets Florida Building Code
- 8" diameter x 7" deep (8") (plus sockets)

Vinyl Liner Deep Sump Bodies & Assemblies - Side x Bottom

Part No.	Description	Case Quantity	List (US \$)
674-2620	8" Deep Sump Body - Vinyl - 2 1/2" S	1	75.01



Note: Always use two or more drains per pump.

Replace the final x in the part number with the color of your choice (see page 4 for colors)

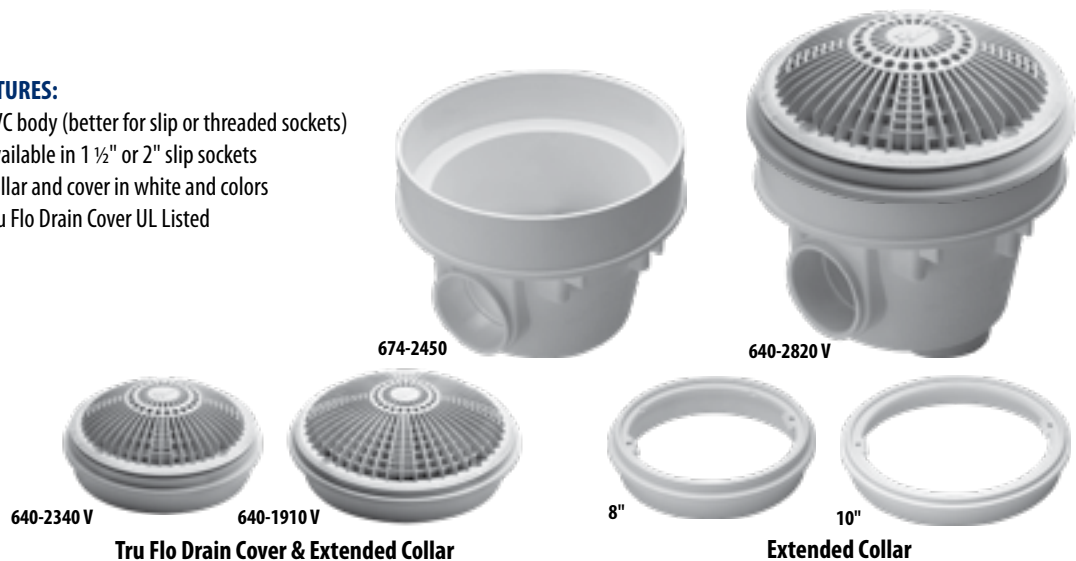


Drains & Suctions / Adjustable Collar Sump Bodies & Assemblies

Waterway's wide selection of pool drains and drain covers simplifies installation for new or existing pools and spas. We manufacture our drain bodies in PVC for better glue joints or threaded connections. Always use two or more drains per pump.

FEATURES:

- PVC body (better for slip or threaded sockets)
- Available in 1 1/2" or 2" slip sockets
- Collar and cover in white and colors
- Tru Flo Drain Cover UL Listed



Tru Flo Drain Cover & Extended Collar

Extended Collar



Note: Always use two or more drains per pump.

Adjustable Collar Sump Bodies & Assemblies

Part No.	Description	Case Qty	List (US \$)
674-2450	8" Sump Body - Adjustable Collar - 1 1/2" S (Side x Bottom) (For color order w/640-234x V)	1	29.73
674-2550	8" Sump Body - Adjustable Collar - 2" S (Side x Bottom) (For color order w/640-234x V)	1	29.73
674-2560	8" Sump Body - Adjustable Collar - 2" S (Side Only) (For color order w/640-234x V)	1	29.73
640-292x V	8" Sump Assembly - Adjustable Collar - 2" S (Side x Bottom) - w/8" Anti-Vortex Drain Cover/White only	1	53.78
640-234x V	8" Anti-Vortex Drain Cover and Extended Collar Assembly	1	24.08
640-191x V	10" Tru Flo Drain Cover and Extended Collar Assembly	1	45.87

Replace the final x in the part number with the color of your choice (see page 4 for colors)

FEATURES:

- Meets Florida Building Code
- 8" diameter x 7" deep (8") (plus sockets)



640-7420 V

674-2720

674-2930

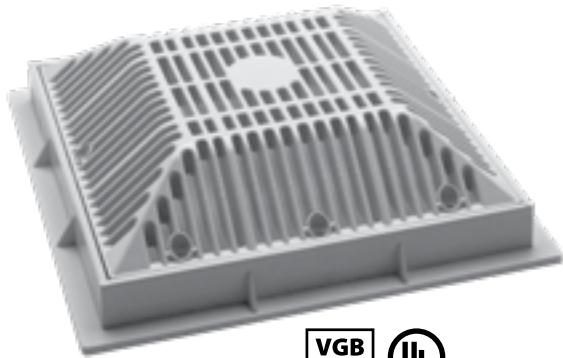


Note: Always use two or more drains per pump.

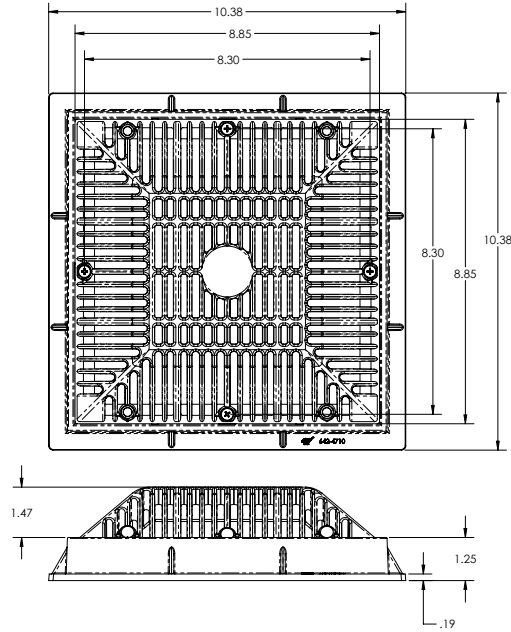
Adjustable Collar Deep Sump Bodies & Assemblies - Side x Bottom

Part No.	Description	Case Qty	List (US \$)
674-2640	8" Deep Sump Body - Adjustable Collar - 2 1/2" S (For color order w/640-234x V)	1	41.62
640-7420 V	8" Deep Sump Assembly - Adjustable Collar - 2 1/2" S - with 8" Tru Flo Drain Cover/White only	1	136.32
674-2720	10" Deep Sump Body - Adjustable Collar - 2 1/2" S (For color order w/640-191x V)	1	117.97
674-2730	10" Deep Sump Body - Adjustable Collar - 2 1/2" FPT (For color order w/640-191x V)	1	117.97
674-2920	10" Deep Sump Body - Adjustable Collar - 3" S (For color order w/640-191x V)	1	129.75
674-2930	10" Deep Sump Body - Adjustable Collar - 3" FPT (For color order w/640-191x V)	1	129.75
640-722x V	10" Deep Sump Assembly - Adjustable Collar - 2 1/2" S - with 10" Tru Flo Drain Cover/White only	1	162.70
640-723x V	10" Deep Sump Assembly - Adjustable Collar - 2 1/2" FPT - with 10" Tru Flo Drain Cover/White only	1	162.70
640-732x V	10" Deep Sump Assembly - Adjustable Collar - 3" S - with 10" Tru Flo Drain Cover/White only	1	174.48
640-733x V	10" Deep Sump Assembly - Adjustable Collar - 3" FPT - with 10" Tru Flo Drain Cover/White only	1	174.48

Replace the final x in the part number with the color of your choice (see page 4 for colors)



VGB 2008 UL 640-4790 V



SPECIFICATIONS:

- Total Open Area: 43.6 sq. in.
- Frame Size: 10.375" x 10.375"
- Floor Flow Rate: 289 GPM @ 2.33 ft/sec
- Wall Flow Rate: 208 GPM @ 1.59 ft/sec
- Flow Rate @ 1.5 ft/sec: 203 GPM

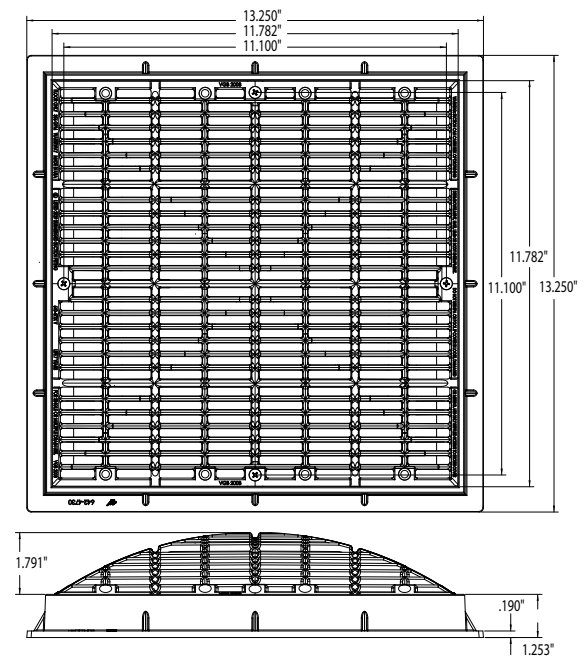
9" x 9" Grate and Frame

Part No.	Description	Case Quantity	List (US \$)
640-479xV	9" x 9" Grate & Frame	13	93.66

Replace the final x in the part number with the color of your choice (see page 4 for colors)



VGB 2008 UL 640-4720 V



SPECIFICATIONS:

- Total Open Area: 62.4 sq. in.
- Frame Size: 13.250" x 13.250"
- Floor Flow Rate: 356 GPM @ 1.83 ft/sec
- Wall Flow Rate: 280 GPM @ 1.44 ft/sec
- Flow Rate @ 1.5 ft/sec: 292 GPM

12" x 12" Grate and Frame

Part No.	Description	Case Quantity	List (US \$)
640-472xV	12" x 12" Grate & Frame	10	142.06

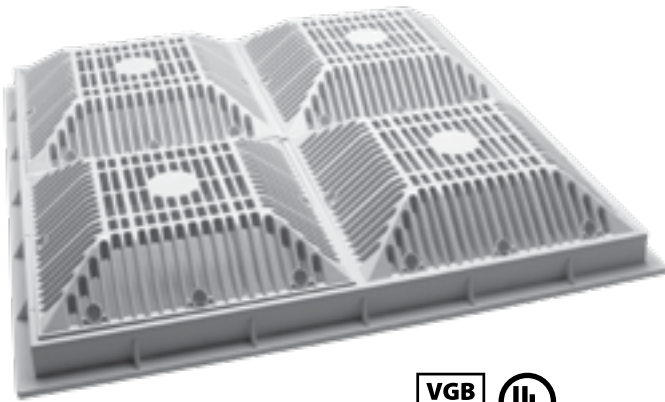
Replace the final x in the part number with the color of your choice (see page 4 for colors)

Drains / Suctions



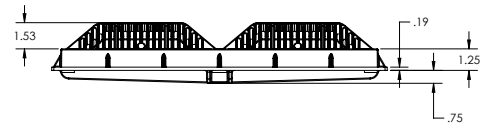
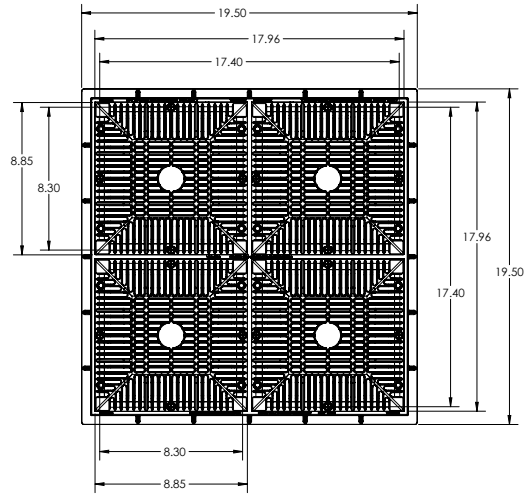
Drains & Suctions - Ratings You Can Trust / 18" x 18" & 24" x 24" Grate & Frame

Drains / Suctions



FEATURES:

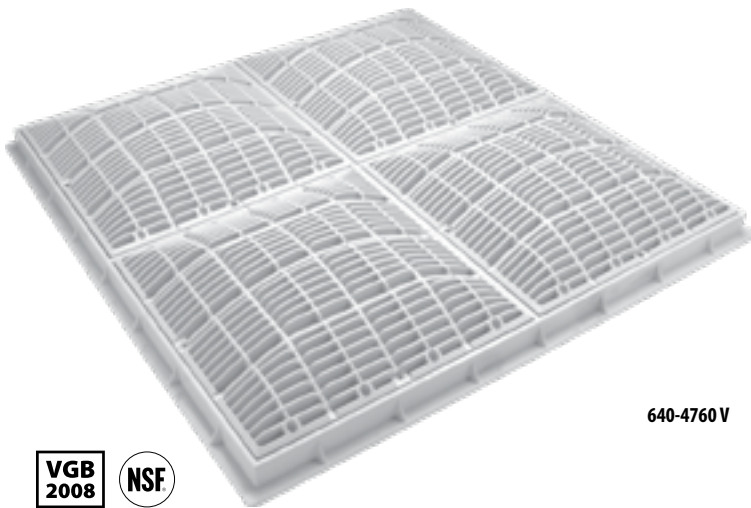
- Total Open Area: 174.4 sq. in.
- Frame Size: 19.5" x 19.5"
- Floor Flow Rate: 788 GPM @ 1.09 ft/sec
- Wall Flow Rate: N/A
- Flow Rate @ 1.5 ft/sec: 812 GPM



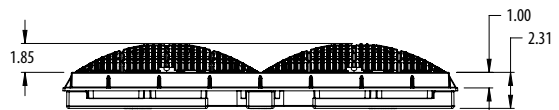
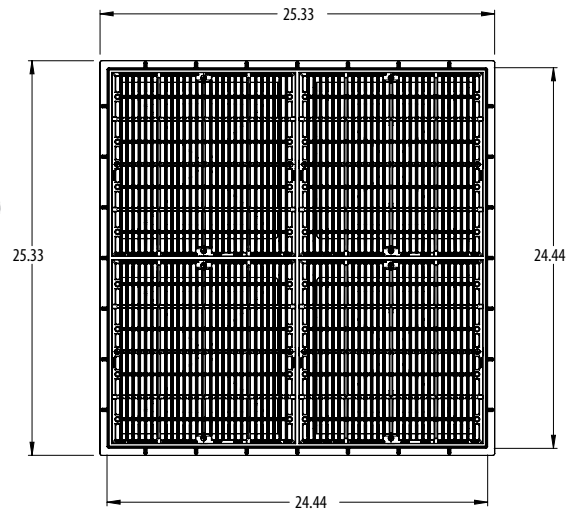
18" x 18" Grate and Frame

Part No.	Description	Case Quantity	List (US \$)
640-477xV	18" x 18" Grate & Frame	1	517.71

Replace the final x in the part number with the color of your choice (see page 4 for colors)



640-4760 V



FEATURES:

- Total Open Area: 249.6 sq. in.
- Frame Size: 25.33" x 25.33"
- Floor Flow Rate: 2035 GPM @ 2.62 ft/sec
- Wall Flow Rate: N/A
- Flow Rate @ 1.5 ft/sec: 1168 GPM

24" x 24" Grate and Frame

Part No.	Description	Case Quantity	List (US \$)
640-476xV	24" x 24" Grate & Frame	1	666.66

Replace the final x in the part number with the color of your choice (see page 4 for colors)

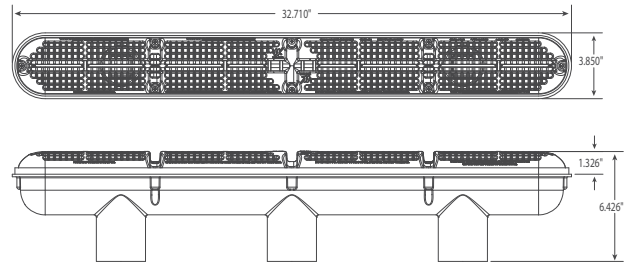


Drains & Suctions - Ratings You Can Trust / 32" Ultra Strip Drains



Hydrostatic Valve available.
See page 101.

640-1320 V



SPECIFICATIONS:

- Total Open Area: 37.7 sq. in.
- Frame Size: 32" Channel
- Floor Flow Rate (One Port Center): 288 GPM @ 2.47 ft/sec
- Floor Flow Rate (Two Ports): 352 GPM @ 3.02 ft/sec
- Wall Flow Rate (One Port Center): 232 GPM @ 1.99 ft/sec
- Wall Flow Rate (Two Ports): 304 GPM @ 2.61 ft/sec
- Flow Rate @ 1.5 ft/sec: 175 GPM
- Ports - 2" S or 2-1/2" SPG
- 2 - 2" MPT Plugs Included

UNBLOCKABLE



New cover design provides complete coverage for sump body!

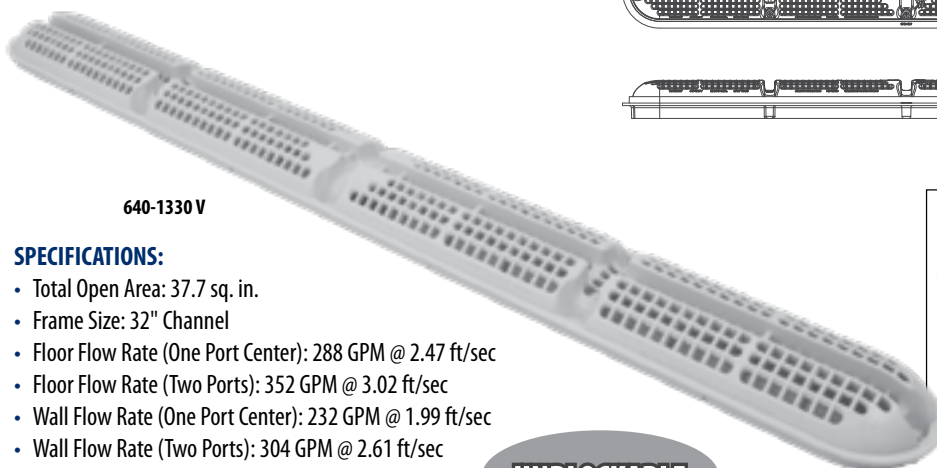
**VGB
2008**

NSF

32" Ultra Strip Drains - Concrete

Part No.	Description	Case Quantity	List (US \$)
640-132x V	32" Ultra Strip Drain - Concrete	1	339.09
642-1320	32" Plaster Body Drain	1	213.62

Replace the final x in the part number with the color of your choice (see page 4 for colors)

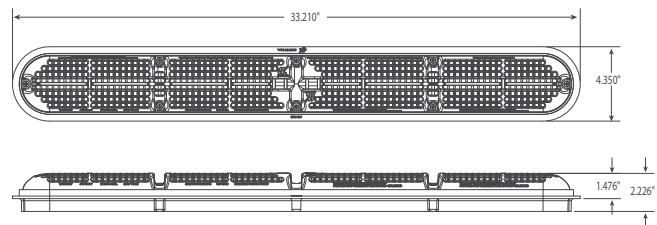


640-1330 V

SPECIFICATIONS:

- Total Open Area: 37.7 sq. in.
- Frame Size: 32" Channel
- Floor Flow Rate (One Port Center): 288 GPM @ 2.47 ft/sec
- Floor Flow Rate (Two Ports): 352 GPM @ 3.02 ft/sec
- Wall Flow Rate (One Port Center): 232 GPM @ 1.99 ft/sec
- Wall Flow Rate (Two Ports): 304 GPM @ 2.61 ft/sec
- Flow Rate @ 1.5 ft/sec: 175 GPM

UNBLOCKABLE



New cover design provides complete coverage for sump body!

**VGB
2008**

NSF

32" Ultra Strip Drains - Field Built Sumps

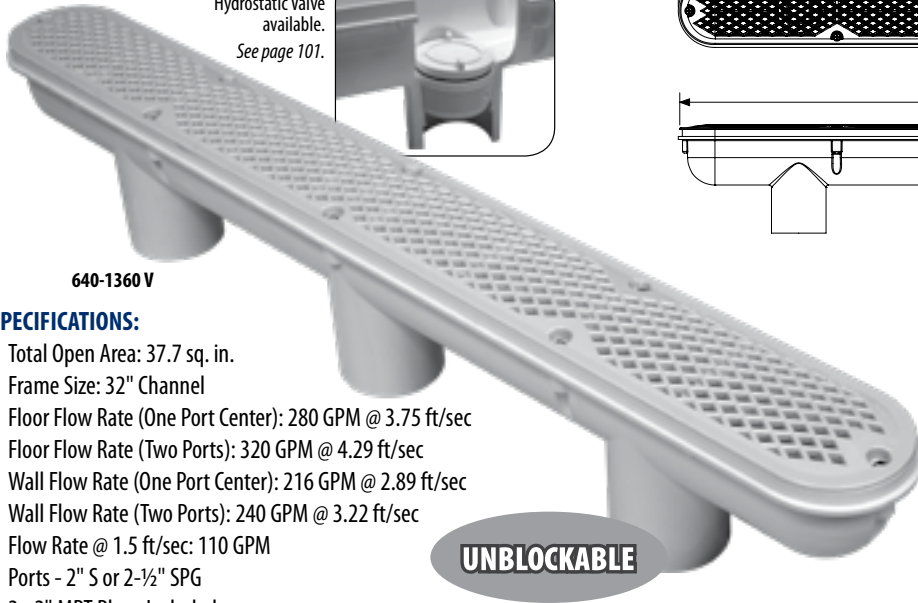
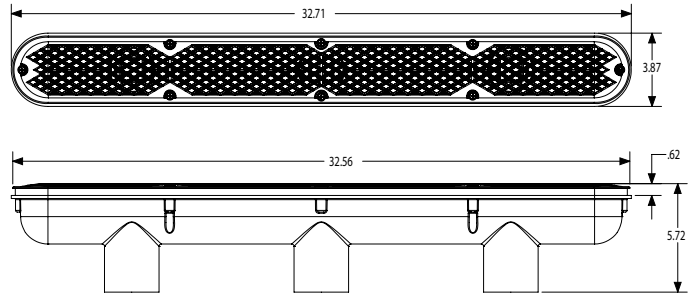
Part No.	Description	Case Quantity	List (US \$)
640-133x V	32" Ultra Strip Drain - Field Built Sumps	1	227.88

Replace the final x in the part number with the color of your choice (see page 4 for colors)



Drains & Suctions / 32" Diamond Strip Drains

Hydrostatic Valve available. See page 101.



640-1360 V

SPECIFICATIONS:

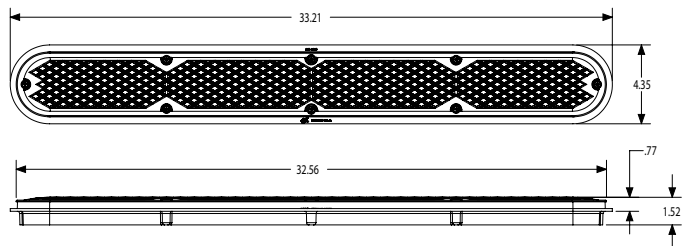
- Total Open Area: 37.7 sq. in.
- Frame Size: 32" Channel
- Floor Flow Rate (One Port Center): 280 GPM @ 3.75 ft/sec
- Floor Flow Rate (Two Ports): 320 GPM @ 4.29 ft/sec
- Wall Flow Rate (One Port Center): 216 GPM @ 2.89 ft/sec
- Wall Flow Rate (Two Ports): 240 GPM @ 3.22 ft/sec
- Flow Rate @ 1.5 ft/sec: 110 GPM
- Ports - 2" S or 2-1/2" SPG
- 2 - 2" MPT Plugs Included



32" Diamond Strip Drains - Concrete

Part No.	Description	Case Quantity	List (US \$)
640-136x V	32" Diamond Strip Drain - Concrete	1	339.09
642-1320	32" Plaster Body Drain	1	213.62

Replace the final x in the part number with the color of your choice (see page 4 for colors)



UNBLOCKABLE



640-1377-DKG V

SPECIFICATIONS:

- Total Open Area: 37.7 sq. in.
- Frame Size: 32" Channel
- Floor Flow Rate (One Port Center): 280 GPM @ 3.75 ft/sec
- Floor Flow Rate (Two Ports): 320 GPM @ 4.29 ft/sec
- Wall Flow Rate (One Port Center): 216 GPM @ 2.89 ft/sec
- Wall Flow Rate (Two Ports): 240 GPM @ 3.22 ft/sec
- Flow Rate @ 1.5 ft/sec: 110 GPM



32" Diamond Strip Drains - Field Built Sumps

Part No.	Description	Case Quantity	List (US \$)
640-137x V	32" Diamond Strip Drain - Field Built Sumps	1	214.33

Replace the final x in the part number with the color of your choice (see page 4 for colors)



Drains & Suctions - Vinyl / 32" Ultra Strip Drains

640-1300 V

Hydrostatic Valve available.
See page 101.

New cover design provides complete coverage for sump body!

UNBLOCKABLE

VGB 2008

NSF

SPECIFICATIONS:

- Total Open Area: 37.7 sq. in.
- Frame Size: 32" Channel
- Floor Flow Rate (One Port Center): 288 GPM @ 2.47 ft/sec
- Floor Flow Rate (Two Ports): 352 GPM @ 3.02 ft/sec
- Wall Flow Rate (One Port Center): 232 GPM @ 1.99 ft/sec
- Wall Flow Rate (Two Ports): 304 GPM @ 2.61 ft/sec
- Flow Rate @ 1.5 ft/sec: 175 GPM
- Ports - 2" S or 2-1/2" SPG
- 2 - 2" MPT Plugs Included

32" Ultra Strip Drains - Vinyl

Part No.	Description	Case Quantity	List (US \$)
640-130x V	32" Ultra Strip Drain - Vinyl	1	444.87
642-1320	32" Plaster Body Drain	1	213.62

Replace the final x in the part number with the color of your choice (see page 4 for colors)

640-1310 V

Hydrostatic Valve available.
See page 101.

New cover design provides complete coverage for sump body!

UNBLOCKABLE

VGB 2008

NSF

SPECIFICATIONS:

- Total Open Area: 37.7 sq. in.
- Frame Size: 32" Channel
- Floor Flow Rate (One Port Center): 288 GPM @ 2.47 ft/sec
- Floor Flow Rate (Two Ports): 352 GPM @ 3.02 ft/sec
- Wall Flow Rate (One Port Center): 232 GPM @ 1.99 ft/sec
- Wall Flow Rate (Two Ports): 304 GPM @ 2.61 ft/sec
- Flow Rate @ 1.5 ft/sec: 175 GPM
- Ports - 2" S or 2-1/2" SPG
- 2 - 2" MPT Plugs Included

32" Ultra Strip Drains - Fiberglass

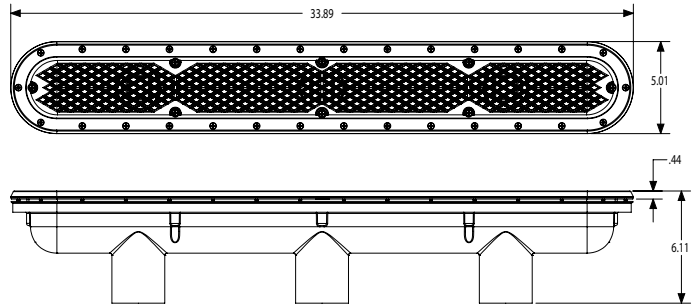
Part No.	Description	Case Quantity	List (US \$)
640-131x V	32" Ultra Strip Drain - Fiberglass	1	444.87
642-1320	32" Plaster Body Drain	1	213.62

Replace the final x in the part number with the color of your choice (see page iv for colors).



Drains & Suctions - Vinyl / 32" Diamond Strip Drains

Hydrostatic Valve available.
See page 101.



640-1340 V

SPECIFICATIONS:

- Total Open Area: 37.7 sq. in.
- Frame Size: 32" Channel
- Floor Flow Rate (One Port Center): 280 GPM @ 3.75 ft/sec
- Floor Flow Rate (Two Ports): 320 GPM @ 4.29 ft/sec
- Wall Flow Rate (One Port Center): 216 GPM @ 2.89 ft/sec
- Wall Flow Rate (Two Ports): 240 GPM @ 3.22 ft/sec
- Flow Rate @ 1.5 ft/sec: 110 GPM
- Ports - 2" S or 2-1/2" SPG
- 2 - 2" MPT Plugs Included

UNBLOCKABLE



VGB
2008

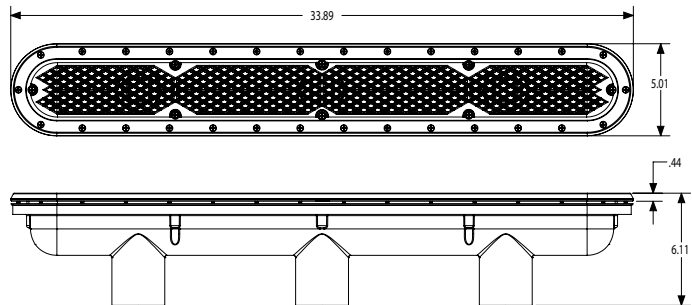
NSF

32" Diamond Strip Drains - Vinyl

Part No.	Description	Case Quantity	List (US \$)
640-134x V	32" Diamond Strip Drain - Vinyl	1	444.87
642-1320	32" Plaster Body Drain	1	213.62

Replace the final x in the part number with the color of your choice (see page 4 for colors)

Hydrostatic Valve available.
See page 101.



640-1350 V

SPECIFICATIONS:

- Total Open Area: 37.7 sq. in.
- Frame Size: 32" Channel
- Floor Flow Rate (One Port Center): 280 GPM @ 3.75 ft/sec
- Floor Flow Rate (Two Ports): 320 GPM @ 4.29 ft/sec
- Wall Flow Rate (One Port Center): 216 GPM @ 2.89 ft/sec
- Wall Flow Rate (Two Ports): 240 GPM @ 3.22 ft/sec
- Flow Rate @ 1.5 ft/sec: 110 GPM
- Ports - 2" S or 2-1/2" SPG
- 2 - 2" MPT Plugs Included

UNBLOCKABLE



VGB
2008

NSF

32" Diamond Strip Drains - Fiberglass

Part No.	Description	Case Quantity	List (US \$)
640-135x V	32" Diamond Strip Drain - Fiberglass	1	444.87
640-134xLG V	32" Diamond Strip Drain for Fiberglass Spas	1	432.08
642-1320	32" Plaster Body Drain	1	213.62

Replace the final x in the part number with the color of your choice (see page 4 for colors)



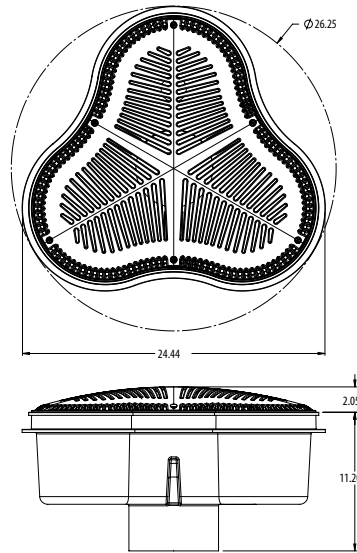
Hydrostatic Relief Valve			
Part No.	Description	Case Qty	List (US \$)
600-2100	1 1/2" Hydrostatic Relief Valve / 2" MPT	200	17.35
600-2140	2" Hydrostatic Relief Valve	200	17.35
600-2150B	2 1/2" Hydrostatic Adapter Kit	--	36.93
600-2160B	3" Hydrostatic Adapter Kit	--	40.37

UNBLOCKABLE

Pat. #7,820,041



640-1000 V



SPECIFICATIONS:

- Total Open Area: 78.92 sq. in.
- Frame Size: Freeform Design
- Floor Flow Rate: 840 GPM @ 3.71 ft/sec
- Wall Flow Rate: 508 GPM @ 2.24 ft/sec
- Flow Rate @ 1.5 ft/sec: 341.2 GPM

Clover Drains

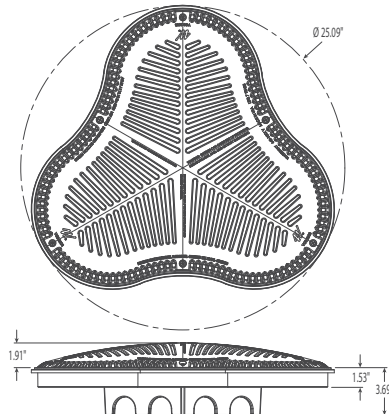
Part No.	Description	Case Quantity	List (US \$)
640-100x V	Clover Drain Assembly	1	1,192.06

Replace the final x in the part number with the color of your choice (see page 4 for colors)

UNBLOCKABLE



645-1009-DKG V



SPECIFICATIONS:

- Total Open Area: 78.92 sq. in.
- Frame Size: Freeform Design
- Floor Flow Rate: 840 GPM @ 3.71 ft/sec
- Wall Flow Rate: 508 GPM @ 2.24 ft/sec
- Flow Rate @ 1.5 ft/sec: 341.2 GPM

Clover Drains for Field Built Sumps

Part No.	Description	Case Quantity	List (US \$)
645-100x V	Clover Drain Assembly for Field Built Sumps	1	491.84

Replace the final x in the part number with the color of your choice (see page 4 for colors)

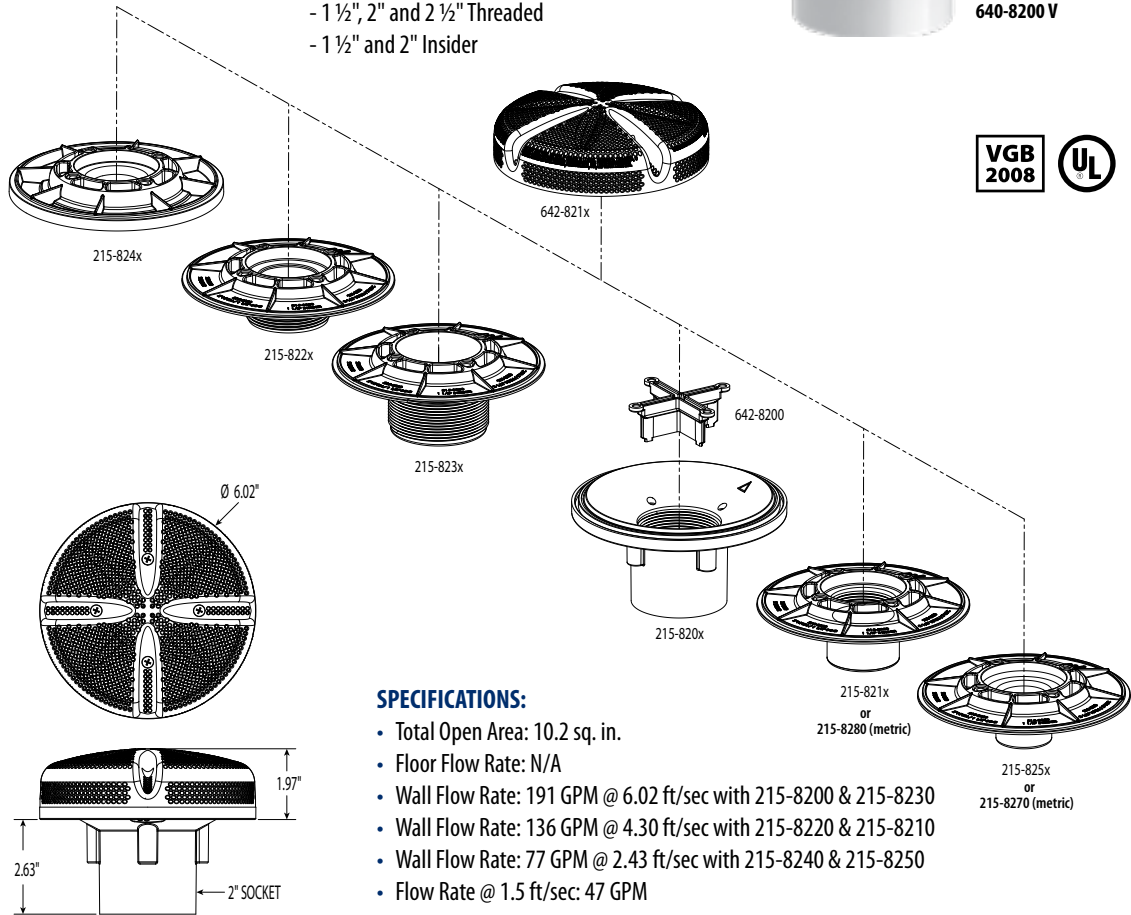
Drains / Suctions



Drains & Suctions / 6" Ultra Suction & Equalizer

FEATURES:

- Sumpless Design: no sump body required
- Ultra versatile drain - can be used for a wide variety of applications: Gunitite, Fiberglass, Tile, and Steel Pools & Spas
- All Waterway adapter fittings are made of NSF Rated PVC and can be used with PVC cements (no expensive ABS/PVC transitional glue)
- Available with 6 different PVC wall fitting adapters for connection through:
 - 1", 1 1/2" and 2" Slip
 - 1 1/2", 2" and 2 1/2" Threaded
 - 1 1/2" and 2" Insider



SPECIFICATIONS:

- Total Open Area: 10.2 sq. in.
- Floor Flow Rate: N/A
- Wall Flow Rate: 191 GPM @ 6.02 ft/sec with 215-8200 & 215-8230
- Wall Flow Rate: 136 GPM @ 4.30 ft/sec with 215-8220 & 215-8210
- Wall Flow Rate: 77 GPM @ 2.43 ft/sec with 215-8240 & 215-8250
- Flow Rate @ 1.5 ft/sec: 47 GPM

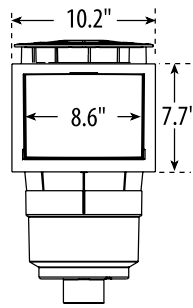
6" Ultra Suction and Equalizer

Part No.	Description	Case Quantity	List (US \$)
640-820x V	6" Ultra Suction (Model 640-82XX V) with 2" Equalizer Wall Fitting (215-8200)	15	76.41
640-823x V	6" Ultra Suction (Model 640-82XX V) with 2 1/2" Threaded Wall Fitting (215-8230)	20	76.16
640-822x V	6" Ultra Suction (Model 640-82XX V) with 2" Threaded Wall Fitting (215-8220)	25	75.01
640-821x V	6" Ultra Suction (Model 640-82XX V) with 2" Insider Wall Fitting (215-8210)	25	56.38
640-824x V	6" Ultra Suction (Model 640-82XX V) with 1 1/2" Threaded Wall Fitting (215-8240)	25	56.38
640-825x V	6" Ultra Suction (Model 640-82XX V) with 1 1/2" Insider Wall Fitting (215-8250)	25	56.38
215-8200	Wall Fitting for 6" Ultra Suction - 2" Equalizer	40	26.92
215-8230	Wall Fitting for 6" Ultra Suction - 2 1/2" Threaded	40	26.92
215-8220	Wall Fitting for 6" Ultra Suction - 2" Threaded	40	20.71
215-8210	Wall Fitting for 6" Ultra Suction - 2" Insider	40	20.71
215-8280	Wall Fitting for 6" Ultra Suction - 50.8mm Insider (metric)	90	20.71
215-8240	Wall Fitting for 6" Ultra Suction - 1 1/2" Threaded	90	20.71
215-8250	Wall Fitting for 6" Ultra Suction - 1 1/2" Insider	90	20.71
215-8270	Wall Fitting for 6" Ultra Suction - 38.1mm Insider (metric)	100	20.71

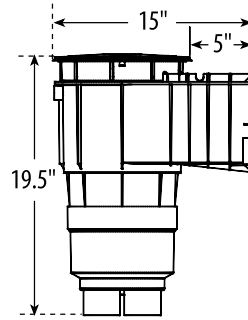


FEATURES:

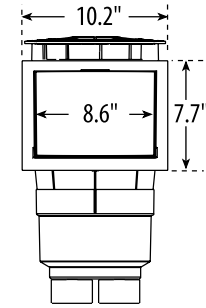
- NSF Approved with Flow Rate of 75 GPM
- PVC sockets for better glue joints
- 2" socket is 2 1/2" spigot for more flow
- 1 1/2" socket is 2" spigot for easier plumbing
- 1/2" socket for overflow hose
- Large locking skimmer basket
- Easy access spring-loaded weir door simplifies replacement
- Optional float valve
- Optional skimmer test kit



Two Port



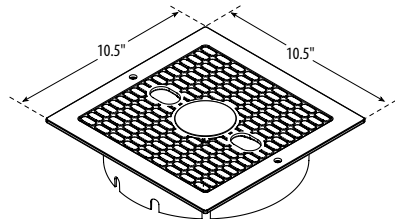
Two Port



Two Port Side-By-Side

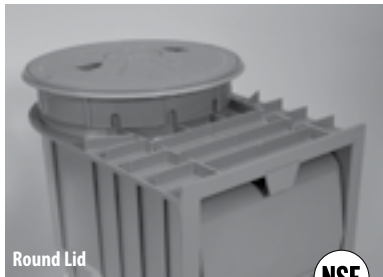


**IMPROVED
SNAP LOCK-DOWN
BASKET HANDLE!**



Square Lid

Waterway's Renegade Gunite Skimmer is designed for better and easier installations while maximizing flow. The large skimmer basket locks into place. High flow rate of 75 gallons per minute.



Round Lid



Square Lid

For replacement parts, see page 335.



519-6480-R1

New Vac Plate
(2014 & newer)



519-6560

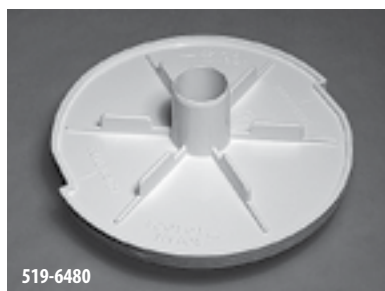
Mounting Extension Rings

Part No.	Description	List (US \$)
519-6560	Vinyl Liner Mounting Extension Ring	13.79
519-6570B	Mounting Extension Ring	13.79



542-6200

Float Valve



519-6480

Vac Plate



540-6500

Skimmer Test Loop



Pool Skimmers and Skim Filters / Renegade Gunite In-Ground Skimmers

Renegade Gunite Skimmers - 2-Port - Round Lid

Part No.	Description	Color	Case Quantity	List (US \$)
540-6430	1 ½" Socket (2" Spigot)	White	1	143.16
540-6630	1 ½" Socket with Float Valve	White	1	176.82
540-6410	2" Socket (2 ½" Spigot)	White	1	143.16
540-6410-9B	2" Socket (2 ½" Spigot)	White/Beige Lid	1	143.16
540-6411	2" Socket (2 ½" Spigot)	Black	1	158.30
540-6411-9B	2" Socket (2 ½" Spigot)	Black/Beige Lid	1	158.30
540-6417	2" Socket (2 ½" Spigot)	Gray	1	158.30
540-6417-9B	2" Socket (2 ½" Spigot)	Gray/Beige Lid	1	158.30
540-6419-BEI	2" Socket (2 ½" Spigot)	Beige	1	158.30
540-6419-DKG	2" Socket (2 ½" Spigot)	Dark Gray	1	158.30
540-6410G	2" Socket (2 ½" Spigot) - Side-by-Side	White	1	147.45
540-6610	2" Socket (2 ½" Spigot) with Float Valve	White	1	176.82
540-6610-9B	2" Socket (2 ½" Spigot) with Float Valve	White/Beige Lid	1	176.82
540-6611	2" Socket (2 ½" Spigot) with Float Valve	Black	1	198.73
540-6617	2" Socket (2 ½" Spigot) with Float Valve	Gray	1	198.73
540-6617-9B	2" Socket (2 ½" Spigot) with Float Valve	Gray/Beige Lid	1	176.82
540-6619-BEI	2" Socket (2 ½" Spigot) with Float Valve	Beige	1	198.73
540-6619-DKG	2" Socket (2 ½" Spigot) with Float Valve	Dark Gray	1	198.73

Renegade Gunite Skimmers - 2-Port - Square Lid

Part No.	Description	Color	Case Quantity	List (US \$)
540-6410-9SB	2" Socket (2 ½" Spigot)	White/Beige Lid	1	148.89
540-6411-S	2" Socket (2 ½" Spigot)	Black	1	148.89
540-6411-9SB	2" Socket (2 ½" Spigot)	Black/Beige Lid	1	148.89
540-6417-S	2" Socket (2 ½" Spigot)	Gray	1	148.89
540-6417-9SB	2" Socket (2 ½" Spigot)	Gray/Beige Lid	1	148.89

Renegade Gunite Skimmers - Single Port - Round Lid

Part No.	Description	Color	Case Quantity	List (US \$)
540-6510	2" Socket (2 ½" Spigot)	White	1	143.16
540-6510-9B	2" Socket (2 ½" Spigot)	White/Beige Lid	1	143.16
540-6511	2" Socket (2 ½" Spigot)	Black	1	158.30
540-6511-9B	2" Socket (2 ½" Spigot)	Black/Beige Lid	1	158.30
540-6517	2" Socket (2 ½" Spigot)	Gray	1	158.30
540-6517-9B	2" Socket (2 ½" Spigot)	Gray/Beige Lid	1	158.30
540-6519-BEI	2" Socket (2 ½" Spigot)	Beige	1	158.30
540-6519-DKG	2" Socket (2 ½" Spigot)	Dark Gray	1	158.30

Renegade Gunite Skimmers - Single Port - Square Lid

Part No.	Description	Color	Case Quantity	List (US \$)
540-6510-S	2" Socket (2 ½" Spigot)	White	1	148.89
540-6510-9SB	2" Socket (2 ½" Spigot)	White/Beige Lid	1	148.89

Accessories

540-6010	Equalizer Valve	White	50	19.09
542-6200	Float Valve	White	25	33.67
519-6480	Vacuum Plate	White	8	21.34
519-6560	Mounting Extension Ring	White	10	13.79
519-6561	Mounting Extension Ring	Black	10	13.79
519-6567	Mounting Extension Ring	Gray	10	13.79
519-6569-BEI	Mounting Extension Ring	Beige	10	13.79
519-6569-DKG	Mounting Extension Ring	Dark Gray	10	13.79
540-6500	Skimmer Test Loop Kit	--	70	16.51
519-6480-R1	Pool Skimmer Gunite Vacuum Plate	White	70	21.34

Pool Skimmers and Skim Filters / Renegade In-Ground Skimmers



Gunite Skimmers without Lids

Part No.	Description	Color	Weight (lbs.)	List (US \$)
540-6410-LL	Renegade Gunite Skimmer 2.5" SPG x 2" S x 2"NPT Less Lid	White	9.56	133.61
540-6411-LL	Renegade Gunite Skimmer 2.5" SPG x 2" S x 2"NPT Less Lid	Black	9.56	133.61
540-6417-LL	Renegade Gunite Skimmer 2.5" SPG x 2" S x 2"NPT Less Lid	Gray	9.56	133.61
540-6419BEI-LL	Renegade Gunite Skimmer 2.5" SPG x 2" S x 2"NPT Less Lid	Beige	9.56	133.61

Renegade Skimmers with Square & Round Lid & Mounting Kit

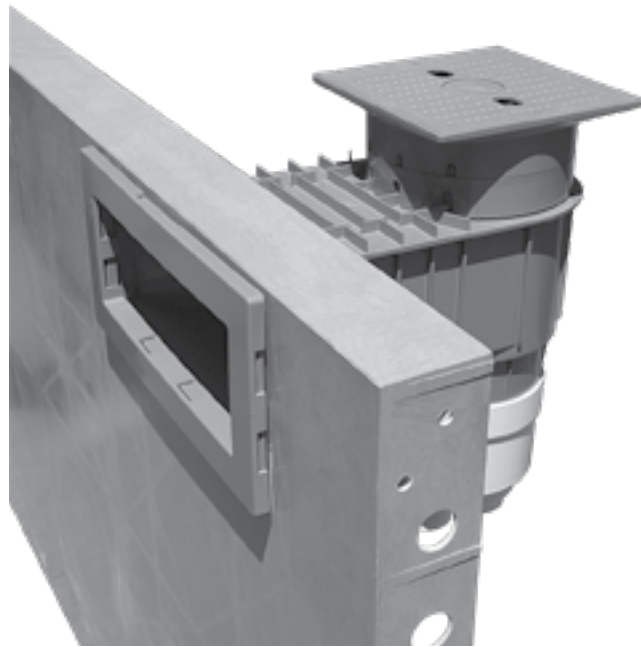
Part No.	Description	Color	Weight (lbs.)	List (US \$)
540-6460WW	9" Round Renegade Skimmer Lid & Mounting Ring Assembly	White	1.18	45.10
540-6461WW	9" Round Renegade Skimmer Lid & Mounting Ring Assembly	Black	1.18	47.71
540-6467WW	9" Round Renegade Skimmer Lid & Mounting Ring Assembly	Gray	1.18	47.71
540-6469WW-B	9" Round Renegade Skimmer Lid & Mounting Ring Assembly	Beige	1.18	47.71
540-6469WW-D	9" Round Renegade Skimmer Lid & Mounting Ring Assembly	Dark Gray	1.18	47.71
540-6480WW	10" Square Renegade Skimmer Lid & Mounting Ring Assembly	White	1.75	48.57
540-6487WW	10" Square Renegade Skimmer Lid & Mounting Ring Assembly	Gray	1.75	51.16
540-6489WW-B	10" Square Renegade Skimmer Lid & Mounting Ring Assembly	Beige	1.75	51.16



Pool Skimmers and Skim Filters / Renegade Vinyl Liner and Fiberglass In-Ground Skimmers

FEATURES:

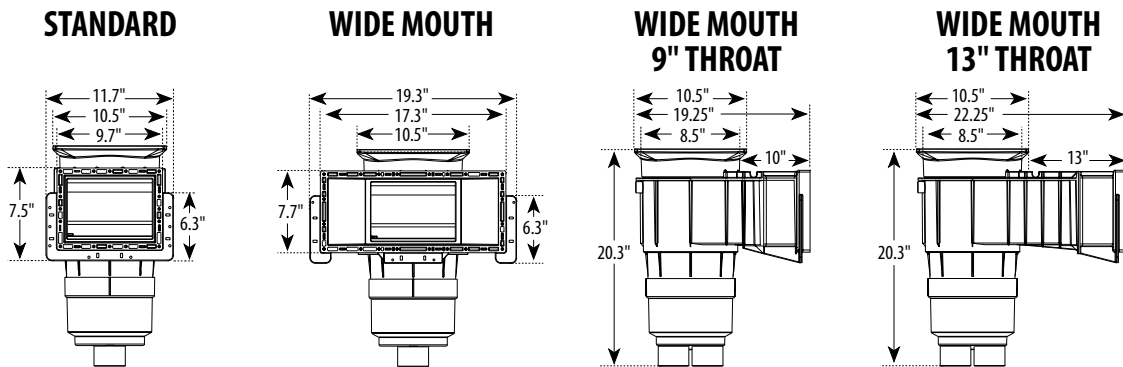
- PVC sockets for better glue joints
- 2" socket is 2 1/2" spigot for more flow
- 1 1/2" socket is 2" spigot for easier plumbing
- 1/2" socket for overflow hose
- Large locking skimmer basket
- Easy access spring-loaded weir door simplifies replacement and installation
- High flow rate of 75 GPM
- Optional float valve
- Optional skimmer test kit
- Lock-Down vacuum plate and an extension collar are included



Fits all currently manufactured steel and polymer walls!

For replacement parts, see page 334.

The Renegade skimmer from Waterway is the only choice you'll need to make for your vinyl liner pool installations. The Renegade In-Ground Vinyl Pool Skimmer is designed to work with all existing vinyl liner steel, polymer or fiberglass pool walls. Available in a wide variety of models – either standard or wide-mouth, in your choice of white or gray, the Renegade includes a lock-down vacuum plate, extension collar and one of the largest skimmer baskets available. It twist-locks to prevent floating and easy-access. Renegade's spring-loaded weir door makes replacements a snap.



Renegade Vinyl Liner Skimmers - 2-Port - Square Lid

Part No.	Description	Throat	Color	List (US \$)
540-8400	Standard Vinyl Liner In-Ground Skimmer - 2" Socket	--	White	231.28
540-8407	Standard Vinyl Liner In-Ground Skimmer - 2" Socket	--	Gray	247.55
540-8430	Standard Vinyl Liner In-Ground Skimmer - 1 1/2" Socket	--	White	231.28
540-8437	Standard Vinyl Liner In-Ground Skimmer - 1 1/2" Socket	--	Gray	247.55
540-8500	Wide-Mouth Vinyl Liner In-Ground Skimmer - 2" Socket	9"	White	289.09
540-8507	Wide-Mouth Vinyl Liner In-Ground Skimmer - 2" Socket	9"	Gray	298.33
540-8530	Wide-Mouth Vinyl Liner In-Ground Skimmer - 1 1/2" Socket	9"	White	289.10
540-8537	Wide-Mouth Vinyl Liner In-Ground Skimmer - 1 1/2" Socket	9"	Gray	298.33
540-8550	Wide-Mouth Vinyl Liner In-Ground Skimmer - 2" Socket	13"	White	299.78
540-8557	Wide-Mouth Vinyl Liner In-Ground Skimmer - 2" Socket	13"	Gray	309.24
540-8580	Wide-Mouth Vinyl Liner In-Ground Skimmer - 1 1/2" Socket	13"	White	299.78
540-8587	Wide-Mouth Vinyl Liner In-Ground Skimmer - 1 1/2" Socket	13"	Gray	309.24

Renegade Vinyl Liner Skimmers - 2-Port - Round Lid

Part No.	Description	Color	List (US \$)
540-8460	Standard Vinyl Liner In-Ground Skimmer - 1 1/2" Socket	White	231.28



Renegade Vinyl Liner Skimmers - Single Port - Square Lid

Part No.	Description	Color	List (US \$)
540-8700	Wide-Mouth Vinyl Liner In-Ground Skimmer - 2" Socket	White	231.28
540-8830	Wide-Mouth Vinyl Liner In-Ground Skimmer - 1 ½" Socket	White	289.09

Accessories

Part No.	Description	Color	Case Weight (lbs.)	Case Quantity	List (US \$)
519-9520	Standard Vinyl Liner Trim Plate	White	17.43	40	21.34
519-9521	Standard Vinyl Liner Trim Plate	Black	17.43	40	21.34
519-9527	Standard Vinyl Liner Trim Plate	Gray	17.43	40	21.34
519-9540	Wide-Mouth Vinyl Liner Trim Plate	White	16.16	20	15.51
519-9547	Wide-Mouth Vinyl Liner Trim Plate	Gray	16.16	20	16.17
519-6560	Mounting Extension Ring	White	6.85	10	13.79
519-6567	Mounting Extension Ring	Gray	6.85	10	13.79
519-6550	Mounting Extension Ring - New Style	White	10.15	10	13.79
519-9510	Vinyl Liner Square Collar	White	10.15	10	22.10
519-9490	Vinyl Liner Square Collar - New Style	White	10.15	10	22.10
542-6200	Float Valve	White	28.25	25	33.67
519-6480	Lock-Down Vacuum Plate	White	6.86	8	21.34
540-6500	Skimmer Test Loop Kit	White	24.29	70	16.51
542-3240	Basket Assembly	White	10.45	20	15.04
550-0020	Additional Mounting Tabs - Composite Wall Vinyl Liner	White	9.87	25	13.03

FEATURES:

- PVC sockets for better glue joints
- Longer screws for one-piece fiberglass pools
- 2" socket is 2 ½" spigot for more flow
- 1 ½" socket is 2" spigot for easier plumbing
- ½" socket for overflow hose
- Large locking skimmer basket
- Easy access spring-loaded weir door simplifies replacement and installation
- High flow rate of 75 GPM
- Optional float valve
- Optional skimmer test kit
- Lock-Down vacuum plate and 2 extension collars are included



For replacement parts, see page 335.

Renegade Fiberglass Only Skimmers

Part No.	Description	Color	List (US \$)
540-8630	Standard 1-Piece Fiberglass Only In-Ground Skimmer - 1 ½" S	White	177.09
540-8637	Standard 1-Piece Fiberglass Only In-Ground Skimmer - 1 ½" S	Gray	193.33
540-8610	Standard 1-Piece Fiberglass Only In-Ground Skimmer - 2" S	White	177.09
540-8617	Standard 1-Piece Fiberglass Only In-Ground Skimmer - 2" S	Gray	193.33

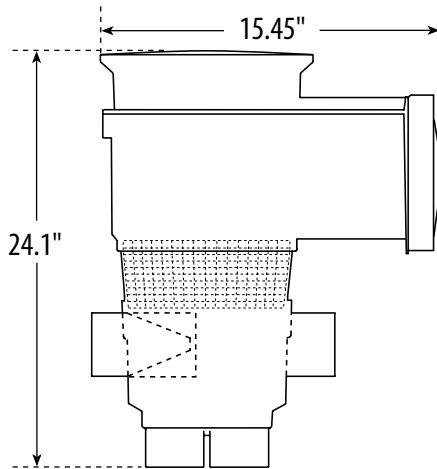


Pool Skimmers and Skim Filters / Renegade Venturi In-Ground Skimmers

FEATURES:

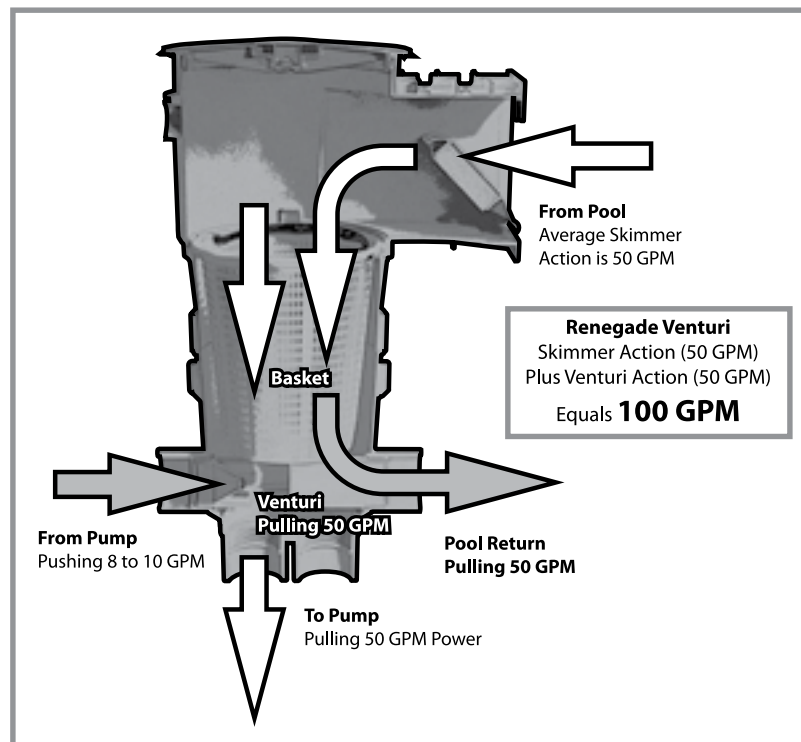
- By using a Venturi, this skimmer doubles the cleaning power without increasing energy costs
- Massive 9" deep basket (twice the size of standard skimmer baskets), can hold 289 cubic inches of debris
- Basket and vacuum plate lock into place instead of floating up when the pump is off
- Weir door is spring-loaded for easy removal – no screws
- NSF approved for 75 GPM – highest in the industry

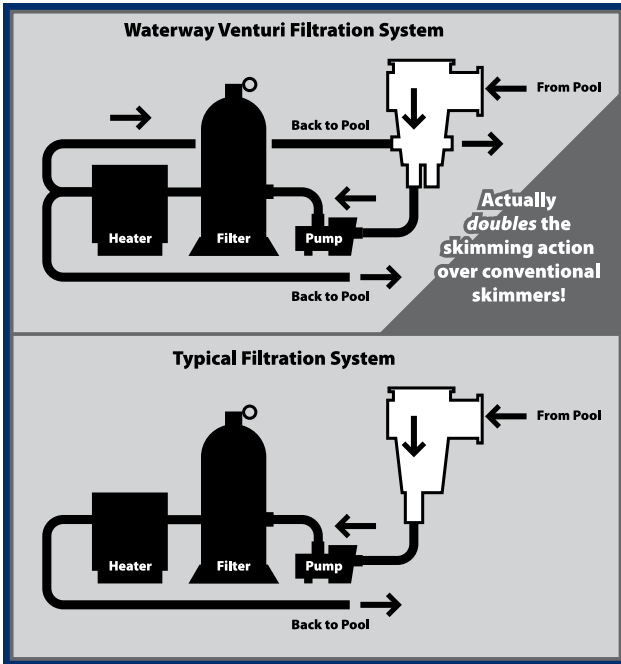
The skimmer is a very important part of the filtration system on a swimming pool. The skimmer is permanently installed to skim the top of the pool to collect dirt and debris before they have a chance to sink to the bottom of the pool. The Waterway Renegade Venturi Skimmer has the latest in high tech features and "Service-Ease" design making this the ultimate pool skimmer!



For replacement parts, see page 333.

The Waterway Venturi Skimmer pulls as much water as the pump, doubling the skimming action while NOT increasing energy costs.





The basket for the Venturi Skimmer and the Deep Basket Skimmer is 9" deep, making the Waterway basket the largest in the industry for extra leaf and debris holding capacity.

Skimmers / Skim Filters

Renegade Gunite Venturi In-Ground Skimmer

Part No.	Description	Color	List (US \$)
540-5300*	2" Socket	White	272.96
540-5301	2" Socket	Black	286.61
540-5307	2" Socket	Gray	286.61
540-5309-BEI	2" Socket	Beige	286.61
540-5300-9B	2" Socket	White/Beige Lid	221.46

* NSF

Renegade Vinyl Liner Venturi In-Ground Skimmer

Part No.	Description	Color	List (US \$)
540-5700	2" Socket	White	317.48
540-5710*	2" Socket with Wide Mouth	White	362.83
540-5717	2" Socket with Wide Mouth	Gray	371.90

* NSF

Renegade Gunite In-Ground Skimmer - Deep Basket without Venturi

Part No.	Description	Color	List (US \$)
540-5310*	2" Socket	White	212.70
540-5311	2" Socket	Black	225.20
540-5317	2" Socket	Gray	225.20
540-5319-BEI	2" Socket	Beige	225.20
540-5310-9B	2" Socket	White/Beige Lid	212.70
540-5320	2" Socket with Float Valve	White	239.60

* NSF

Renegade Vinyl Liner In-Ground Skimmer - Deep Basket without Venturi

Part No.	Description	Color	List (US \$)
540-5720*	2" Socket	White	246.30
540-5730*	2" Socket with Wide Mouth	White	284.63
540-5737	2" Socket with Wide Mouth	Gray	295.59

* NSF



Pool Skimmers and Skim Filters / Commercial Renegade Skimmers

FEATURES:

- NSF Approved with Flow Rate of 75 GPM
- PVC sockets for better glue joints
- 2" socket is 2 1/2" spigot for more flow
- 1/2" socket for overflow line
- Large locking skimmer basket
- Easy access spring-loaded weir door simplifies replacement
- Equalizer line for NSF commercial compliance
- Optional skimmer test kit



Waterway's Commercial Renegade Gunite Skimmer is designed for commercial or public pool installations. The large skimmer basket locks into place. High flow rate of 75 gallons per minute.

Commercial Renegade Gunite In-Ground Skimmers

Part No.	Description	Color	Weight (lbs.)	List (US \$)
540-6200	Gunite Skimmer with Equalizer - 2 1/2" Spigot x 2" S x 2" NPT	White	9.78	162.28
540-6350	Gunite Skimmer with Equalizer - 2 1/2" Spigot x 2" NPT x 2" NPT	White	9.81	171.72
540-6360	Gunite Skimmer with Equalizer - 2 1/2" Spigot x 2" NPT x 2 NPT with Float Vlv	White	10.94	182.55



Skimmers / Skim Filters

ALL BUILDER'S PACKS COME WITH THE FOLLOWING:

- Skimmer (1 qty.)
- Trim Plate (1 qty.)
- 1 ½" or 2" S Vinyl Main Drain (Same as Skimmer)(2 qty.)
- 1 ½" S Vinyl Liner Wall Fitting Assembly with Combo Locknut (3 or 6 qty.)
- 1" Eyeball Opening (3 or 6 qty.)
- Wall Fitting Escutcheon (3 or 6 qty.)

Renegade Vinyl Liner Skimmer - Builder's Packs

Part No.	Included Parts (Quantity)	Color	List (US \$)
545-5700	Standard Vinyl Liner Venturi In-Ground Skimmer Builder's Pack - 2 ½" Spigot / 2" S	White	448.20
545-5707	Standard Vinyl Liner Venturi In-Ground Skimmer Builder's Pack - 2 ½" Spigot / 2" S	Gray	465.71
545-5710	Wide Mouth Vinyl Liner Venturi In-Ground Skimmer Builder's Pack - 2 ½" Spigot / 2" S	White	489.30
545-5717	Wide Mouth Vinyl Liner Venturi In-Ground Skimmer Builder's Pack - 2 ½" Spigot / 2" S	Gray	507.87
545-5750	Wide Mouth Long Throat Vinyl Liner In-Ground Skimmer Builder's Pack - 2 ½" Spigot / 2" S	White	498.44
545-5757	Wide Mouth Long Throat Vinyl Liner In-Ground Skimmer Builder's Pack - 2 ½" Spigot / 2" S	Gray	517.24
545-8400	Standard Vinyl Liner In-Ground Skimmer Builder's Pack - 2 ½" Spigot / 2" S	White	376.76
545-8407	Standard Vinyl Liner In-Ground Skimmer Builder's Pack - 2 ½" Spigot / 2" S	Gray	401.56
545-8410	Standard Vinyl Liner In-Ground Skimmer Builder's Pack - 2 ½" Spigot / 2" S - 6 Returns	White	442.61
545-8417	Standard Vinyl Liner In-Ground Skimmer Builder's Pack - 2 ½" Spigot / 2" S - 6 Returns	Gray	469.92
545-8430	Standard Vinyl Liner In-Ground Skimmer Builder's Pack - 1 ½" S - 2" Spigot / 1 ½" S	White	384.30
545-8437	Standard Vinyl Liner In-Ground Skimmer Builder's Pack - 1 ½" S - 2" Spigot / 1 ½" S	Gray	409.59
545-8500	Wide Mouth Short Throat Vinyl Liner In-Ground Skimmer Builder's Pack - 2 ½" Spigot / 2" S	White	434.71
545-8507	Wide Mouth Short Throat Vinyl Liner In-Ground Skimmer Builder's Pack - 2 ½" Spigot / 2" S	Gray	453.86
545-8510	Wide Mouth Vinyl Liner In-Ground Skimmer Builder's Pack - 2 ½" Spigot / 2" S - 6 Returns	White	493.90
545-8517	Wide Mouth Vinyl Liner In-Ground Skimmer Builder's Pack - 2 ½" Spigot / 2" S - 6 Returns	Gray	515.77
545-8530	Wide Mouth Short Throat Vinyl Liner In-Ground Skimmer Builder's Pack - 1 ½" S - 2" Spigot / 1 ½" S	White	434.71
545-8537	Wide Mouth Short Throat Vinyl Liner In-Ground Skimmer Builder's Pack - 1 ½" S - 2" Spigot / 1 ½" S	Gray	453.88
545-8550	Wide Mouth Long Throat Vinyl Liner In-Ground Skimmer Builder's Pack - 2 ½" Spigot / 2" S	White	435.33
545-8557	Wide Mouth Long Throat Vinyl Liner In-Ground Skimmer Builder's Pack - 2 ½" Spigot / 2" S	Gray	454.29
545-8580	Wide Mouth Long Throat Vinyl Liner In-Ground Skimmer Builder's Pack - 1 ½" S - 2" Spigot / 1 ½" S	White	435.33
545-8587	Wide Mouth Long Throat Vinyl Liner In-Ground Skimmer Builder's Pack - 1 ½" S - 2" Spigot / 1 ½" S	Gray	454.29

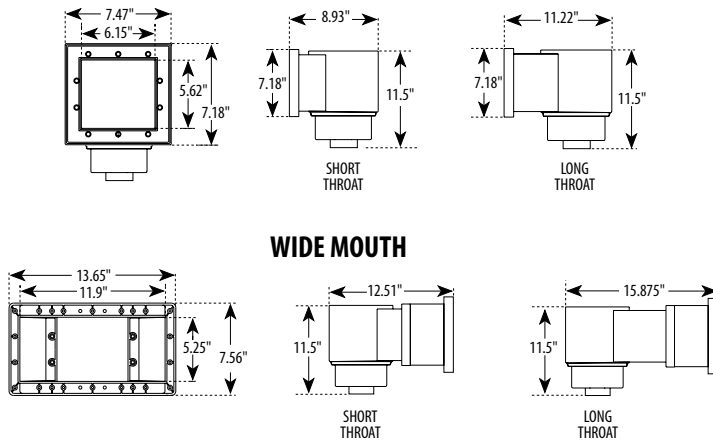


Pool Skimmers and Skim Filters / Flo-Pro II Above Ground Skimmers

FEATURES:

- Deep body, larger locking basket
- Long or short throat
- Basket accessible from top or front
- Durable one-piece ABS (wide mouth is two piece)
- 1 1/2" FPT
- 1 1/2" hose adapter included

STANDARD MOUTH



For replacement parts, see page336.

Flo-Pro II Above-Ground Skimmers

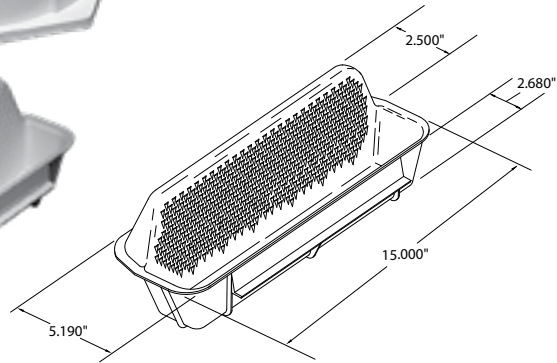
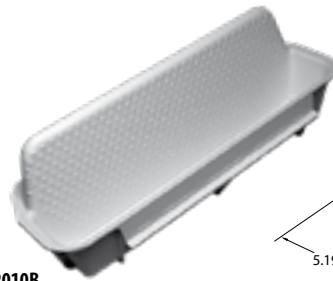
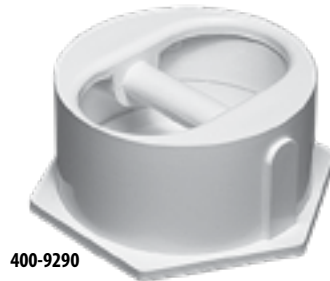
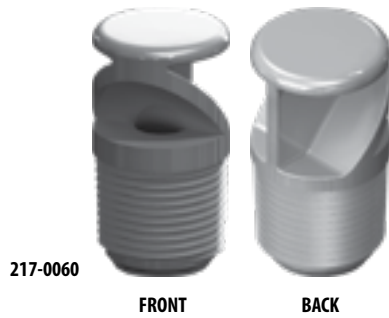
Part No.	Description	Color	Weight (lbs.)	List (US \$)
560-C0A60S	Short Throat	White	4.69	65.18
560-C0A67S	Short Throat	Gray	4.69	65.18
560-C0C60S	Short Throat with Return	White	5.16	69.47
560-C0C67S	Short Throat with Return	Gray	5.16	69.47
560-D0A60S	Long Throat	White	5.28	66.61
560-D0A61S	Long Throat	Black	5.28	74.65
560-D0A67S	Long Throat	Gray	5.28	66.61
560-D0C60S	Long Throat with Return	White	5.86	70.93
560-D0C67S	Long Throat with Return	Gray	5.86	70.93
560-D0C60SF	Long Throat with Return - 90° Eye	White	5.73	71.69

Flo-Pro II Wide Mouth Above-Ground Skimmers

Part No.	Description	Color	Weight (lbs.)	List (US \$)
560-C3A60L	Short Throat	White	7.10	105.49
560-C3A67L	Short Throat	Gray	7.10	105.49
560-C3C60L	Short Throat with Return	White	8.24	109.87
560-C3C67L	Short Throat with Return	Gray	8.24	109.87
560-C3C60LF	Short Throat with Return - 90° Eye	White	8.19	110.68
560-D3C60L	Long Throat with Return	White	8.55	118.37
560-D3C67L	Long Throat with Return	Gray	8.55	118.37

Accessories

Part No.	Description	Color	Weight (lbs.)	List (US \$)
519-3090	Standard Trim Plate	White	15.29	15.64
519-3091	Standard Trim Plate	Black	15.29	15.64
519-3097	Standard Trim Plate	Gray	15.29	15.64



Misc / Accessories

Accessories					
Part No.	Description	Color	Case Weight	Case Quantity	List (US \$)
217-0060	Aerator Spray Nozzle	White	6 lbs.	200	5.04
660-3400	Gunite Air Control "A" Style (fits inside 1 1/2" pipe or 1/2" S)	White	6.71 lbs.	60 (bulk)	14.06
660-3407	Gunite Air Control "A" Style (fits inside 1 1/2" pipe or 1/2" S)	Gray	6.71 lbs.	60 (bulk)	14.06
672-2000	Gunite Air Injector Floor Cap (fits inside 1 1/2" pipe)	White	5.5 lbs.	100 (bulk)	6.71
672-2001	Gunite Air Injector Floor Cap (fits inside 1 1/2" pipe)	Black	5.5 lbs.	100 (bulk)	6.71
672-2002	Gunite Air Injector Floor Cap (fits inside 1 1/2" pipe)	Bone	5.5 lbs.	100 (bulk)	9.84
672-2007	Gunite Air Injector Floor Cap (fits inside 1 1/2" pipe)	Gray	5.5 lbs.	100 (bulk)	6.71
672-2009-DKG	Gunite Air Injector Floor Cap (fits inside 1 1/2" pipe)	Dark Gray	5.5 lbs.	100 (bulk)	6.71
650-3400	Gunite Air Button (fits inside 1 1/2" pipe)	White	5.4 lbs.	75	28.16
400-9290	Rope Anchor Assembly	White	8.09 lbs.	50 (bulk)	6.53
400-9291	Rope Anchor Assembly	Black	8.09 lbs.	50 (bulk)	6.53
400-9292	Rope Anchor Assembly	Bone	8.09 lbs.	50 (bulk)	6.53
400-9297	Rope Anchor Assembly	Gray	8.09 lbs.	50 (bulk)	6.53
400-9299-DKG	Rope Anchor Assembly	Dark Gray	8.09 lbs.	50 (bulk)	6.53
400-9299-BEI	Rope Anchor Assembly	Beige	8.09 lbs.	50 (bulk)	6.53
429-7100	Plastic Rope Hook (with screws)	White	15.08 lbs.	100 (bulk)	6.14
532-2010B	Pool Wall Step (set of 3)	White	7.16 lbs.	3	80.01
532-2011B	Pool Wall Step (set of 3)	Black	7.16 lbs.	3	80.01
532-2013B	Pool Wall Step (set of 3)	Blue	7.16 lbs.	3	80.01
532-2017B	Pool Wall Step (set of 3)	Gray	7.16 lbs.	3	80.01
532-2019B-DK	Pool Wall Step (set of 3)	Dark Gray	7.16 lbs.	3	80.01



Pool Miscellaneous & Accessories / Pool Accessories



640-2900



640-2800



640-3000



429-4010



642-2130



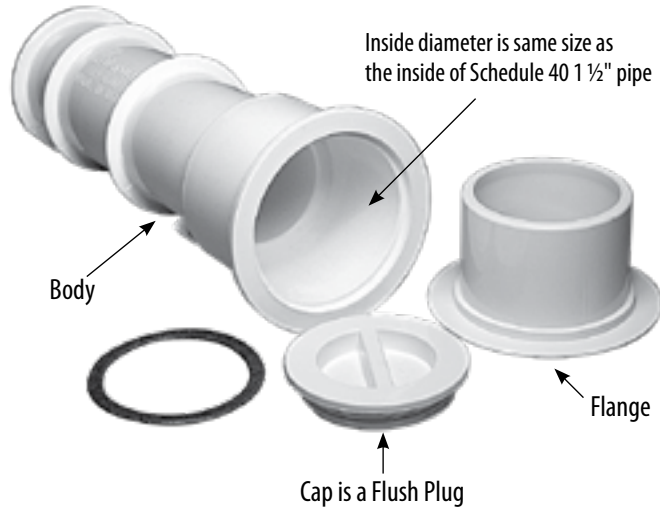
672-4540



540-3160

Accessories

Part No.	Description	Color	Case Weight	Case Quantity	List (US \$)
640-2900	2" x 4" Deck/Gutter Drain - 2" S/FPT Assembly	White	17.04 lbs.	40 (bulk)	13.50
640-2901	2" x 4" Deck/Gutter Drain - 2" S/FPT Assembly	Black	17.04 lbs.	40 (bulk)	14.60
640-2907	2" x 4" Deck/Gutter Drain - 2" S/FPT Assembly	Gray	17.04 lbs.	40 (bulk)	14.60
640-2909-DKG	2" x 4" Deck/Gutter Drain - 2" S/FPT Assembly	Dark Gray	17.04 lbs.	40 (bulk)	14.60
640-2909-BEI	2" x 4" Deck/Gutter Drain - 2" S/FPT Assembly	Beige	17.04 lbs.	40 (bulk)	14.60
640-2800	2" x 4" Deck/Gutter Grate (with screws)	White	11.05 lbs.	150 (indiv.)	6.57
640-2801	2" x 4" Deck/Gutter Grate (with screws)	Black	11.05 lbs.	150 (indiv.)	7.27
640-2807	2" x 4" Deck/Gutter Grate (with screws)	Gray	11.05 lbs.	150 (indiv.)	7.27
640-2809-DKG	2" x 4" Deck/Gutter Grate (with screws)	Dark Gray	11.05 lbs.	150 (indiv.)	7.27
640-2809-BEI	2" x 4" Deck/Gutter Grate (with screws)	Beige	11.05 lbs.	150 (indiv.)	6.57
640-3000	2" x 4" Deck/Gutter 3-Bar Grate and Frame Assembly	White	11.45 lbs.	200 (bulk)	9.27
640-3001	2" x 4" Deck/Gutter 3-Bar Grate and Frame Assembly	Black	11.45 lbs.	200 (bulk)	10.41
640-3007	2" x 4" Deck/Gutter 3-Bar Grate and Frame Assembly	Gray	11.45 lbs.	200 (bulk)	10.41
540-3169-BEI	6" Valve Niche Assembly (cover and flange)	Beige	17.36 lbs.	30 (indiv.)	19.44
540-6460WW	9" Round Renegade Skimmer Lid & Mounting Ring Assembly	White	16.51 lbs.	13 (indiv.)	45.10
540-6461WW	9" Round Renegade Skimmer Lid & Mounting Ring Assembly	Black	16.51 lbs.	13 (indiv.)	47.71
540-6467WW	9" Round Renegade Skimmer Lid & Mounting Ring Assembly	Gray	16.51 lbs.	13 (indiv.)	47.71
540-6469WW-BEI	9" Round Renegade Skimmer Lid & Mounting Ring Assembly	Beige	16.51 lbs.	13 (indiv.)	47.71
540-6469WW-DKG	9" Round Renegade Skimmer Lid & Mounting Ring Assembly	Dark Gray	16.51 lbs.	13 (indiv.)	47.71
540-6480WW	10" Square Renegade Skimmer Lid & Mounting Ring Assembly	White	17.59 lbs.	9	48.57
540-6487WW	10" Square Renegade Skimmer Lid & Mounting Ring Assembly	Gray	17.59 lbs.	9	51.16
540-6489WW-BEI	10" Square Renegade Skimmer Lid & Mounting Ring Assembly	Beige	17.59 lbs.	9	51.16
429-4010	Escutcheon Ladder Flange (Base Plate)	White	19.79 lbs.	150 (bulk)	3.76
429-4017	Escutcheon Ladder Flange (Base Plate)	Gray	19.79 lbs.	150 (bulk)	4.26
429-4019-BEI	Escutcheon Ladder Flange (Base Plate)	Beige	19.79 lbs.	150 (bulk)	4.26
642-2130	Lid Deck Pac-Fab 51-3030 Replacement Lid	White	31.31 lbs.	60 (bulk)	25.38
672-4540	6" Niche Cover	White	4.62 lbs.	20	14.06
672-4541	6" Niche Cover	Black	--	--	14.06
672-4547	6" Niche Cover	Gray	4.62 lbs.	20	14.06
672-4549-BEI	6" Niche Cover	Beige	4.62 lbs.	20	14.06
540-3160	6" Valve Niche Assembly (cover and flange) - 6" S	White	17.36 lbs.	30 (indiv.)	19.44
540-3161	6" Valve Niche Assembly (cover and flange) - 6" S	Black	17.36 lbs.	30 (indiv.)	19.44
540-3167	6" Valve Niche Assembly (cover and flange) - 6" S	Gray	17.36 lbs.	30 (indiv.)	19.44



Volleyball Pole Holders

Part No.	Description	Color	Case Weight	Case Quantity	List (US \$)
540-6700	Volleyball Pole Holder Assembly	White	20.95 lbs.	35 (indiv.)	24.27
540-6701	Volleyball Pole Holder Assembly	Black	20.95 lbs.	35 (indiv.)	25.17
540-6707	Volleyball Pole Holder Assembly	Gray	20.95 lbs.	35 (indiv.)	25.17
540-6709-BEI	Volleyball Pole Holder Assembly	Beige	20.95 lbs.	35 (indiv.)	25.17
519-6700	Body Only	White	22.37 lbs.	50	12.13
519-6710	Flange Only	White	16.76 lbs.	250	9.89
519-6711	Flange Only	Black	16.76 lbs.	250	9.89
519-6717	Flange Only	Gray	16.76 lbs.	250	9.89
519-6719-BEI	Flange Only	Beige	16.76 lbs.	250	9.89
400-4140	Flush Plug 1 1/2" MPT with Gasket	White	6.68 lbs.	100 (indiv.)	2.87
400-4141	Flush Plug 1 1/2" MPT with Gasket	Black	6.68 lbs.	100 (indiv.)	3.18
400-4147	Flush Plug 1 1/2" MPT with Gasket	Gray	6.68 lbs.	100 (indiv.)	3.18
400-4149-BEI	Flush Plug 1 1/2" MPT with Gasket	Beige	6.68 lbs.	100 (indiv.)	3.18
540-6710	Flange and Plug Assembly	White	16.84 lbs.	150	12.79
540-6711	Flange and Plug Assembly	Black	16.84 lbs.	150	13.11
540-6717	Flange and Plug Assembly	Gray	16.84 lbs.	150	13.11
540-6719-BEI	Flange and Plug Assembly	Beige	16.84 lbs.	150	13.11

